

Discover 110 / 125 UG



THE WORLD'S
FAVOURITE
INDIAN

Discover 110 / 125 UG

Bajaj Auto Limited

Akurdi, Pune - 411 035, India.

Tel : +91 20 27472851

Fax : +91 20 27407385

Toll Free : 1800 233 2453

Website : www.bajajauto.com

CIN L65993PN2007PLC130076

Spare Parts Catalogue



All information contained in this manual is based on the latest product information at the time of publication. Bajaj Auto Limited accepts no liability for any inaccuracies or omissions in this publication, although every possible care has been taken to make it as complete and accurate as possible. All procedures and specifications subject to change without prior notice. The right is reserved to make such changes at any time without prior notice and without incurring an obligation to make such changes to product manufactured previously. Contact your authorized Bajaj Dealer for the latest information on product improvements incorporated after this manual was issued.

DOC. NO.: 71112834

REV. 07, JAN. 19

Copy rights : All rights reserved. No part of this publicatin may be reproduced, stored in a retrival system, Or transmitted in any form or by any means, electronic mechanical photocopying, recording or otherwise, without the prior written permission of Bajaj Auto LTD.

We have pleasure in presenting the Spare Parts Catalogue for 'Discover 110 / 125 UG' Motorcycle. This catalogue has been specially designed to assist you in selecting the correct parts for procurement to maintain 100% availability.

The Bajaj spares are subjected to the stringent quality control standards to ensure longer life of the vehicle. It is therefore necessary that only the Genuine Bajaj Spares are used.

In a continual effort to improve Performance and Efficiency of the vehicles, Specifications, Diagrams, Illustrations and Part Numbers can change without notice. Consequently, the description in this Spare Parts Catalogue cannot therefore be final and binding on us.

The modifications / alterations which are carried out after the issue of this catalogue, will be conveyed to you through our Service Circulars. You are requested to make necessary corrections in the Parts Catalogue as per the circulars so as to keep your catalogue up-to-date. This will ensure the appropriate and speedy delivery of the Spare Parts as the order placed will bear the latest part numbers.

In case, if you need any technical assistance contact the concerned Regional Office or write to us on the following address :

Bajaj Auto Limited
Service Department
 Akurdi, Pune 411 035 India

1. How to Read the Catalogue : Open the catalogue and from the pictorial index locate the group in which the part you want to find is present. Turn over to the concerned page number (as given by pictorial index). Now find out the figure of the part you wish to order. Write down the part number against that particular figure number from the text.

In case, if you have the part number and you need the other details, the part index can be used. The part index (at the end of the catalogue) will give you the figure and page number of the part you wish to order.

2. How to Order Spare Parts : The part number and the description of the part required should be invariably mentioned in the order as per the catalogue text.

The latest part number as conveyed through our service circulars should only appear on the order. In case of ordering painted components, colour shade of the components should be mentioned.

The quantity shown against the part number is the quantity per vehicle for that group so that particular quantity should be multiplied by the number of sets required.

3. Part Number System : We have used 8 digit system for part numbers. The model or hardware item is indicated by first two digits or alphanumeric, the next two or four digits indicate main group and the last four or two digits indicate serial number in main group or serial number or subgroup of fastener respectively. Thus the part numbers will be indicated by 2-2-4 or 2-4-2 digit system. Understanding this system will enable you to identify the spare parts easily.

4. Abbreviations : The following abbreviations are used in this catalogue.

Assly	Assembly	V	Volts
N.I.	Not illustrated	W	Watts
C'case	Crankcase	Accl.	Accelerator
Cyl	Cylinder	Comp.	Complete
O/s	Over size	Fr.	Front
Rr.	Rear	Std.	Standard
L	Length	A/t.	Alternate
R.H.	Right hand	L.H.	Left hand
Hex.	Hexagonal	AR	As required

Index

DISCOVER 110 / 125 UG

Plate No.	Description	Page No.
1	Cover Cylinder Head	2
2	SAI System	4
3	Cylinder Head	6
4	Valve	8
5	Camshaft / Tensioner	10
6	Cylinder & Piston	12
7	Crankshaft	14
8	Transmission	16
9	Transmission (Discover 125 UG)	18
10	Change Drum & Shift Fork	20
11	Gear Change Mechanism	22
12	Engine Assembly & Crankcase RH	24
13	Crankcase LH	26
14	Cover Clutch	28
15	Cover Magneto	30
16	Clutch Assembly	32
17	Kick Starter Mechanism	34
18	Carburettor Assembly (Discover 110)	36
19	Carburettor Assembly (Discover 125 UG)	38
20	Air Cleaner Complete	40
21	EVAP Mechanism	42
22	Silencer Assembly	44
23	Oil Pump	46
24	Starter Assembly	48
25	Magneto, CDI, Spark Plug & H.T. Coil	50
26	Seat Assembly & Seat Lock	52
27	Engine Mountings	54
28	Frame & Frame Fitting	56
29	Swing Arm & Rear Shock Absorber	58
30	Rider Foot Rest	60
31	Pillion Foot Rest & Holder	62

Index

DISCOVER 110 / 125 UG

Plate No.	Description	Page No.
32	Mudguard - Front & Rear	64
33	Stand Assembly	66
34	Tube / Tyre / Rim	68
35	Front Wheel Hub (Drum Brake)	70
36	Front Wheel Hub (Disc Brake)	72
37	Front Master Cylinder	74
38	Front Disc Brake Caliper Assembly	76
39	Rear Hub	78 - 80
40	Rear Brake Pedal	82
41	CBS - Combined Braking System (Durm)	84
42	CBS - Combined Braking System (Disc)	86
43	Handle Bar	88 - 90
44	Front Fork	92
45	Petrol Tank Cap & Gauge Fuel	94
46	Fittings - Petrol Tank, Side Covers & Cover Seat	96
47	Speedometer Assembly	98
48	Control Cables	100
49	Chain Case	102
50	Head Lamp & Fairing	104 - 106
51	Indicator Light Assembly	108
52	Tail Lamp Assembly, Front & Rear Number Plate	110
53	Electrical Equipments	112
54	Accessories & Grab Handle	114
55	Tool Kit	116
56	Painted Parts and Decals	118 - 120
57	Consumable Parts	122 - 124
	Kit List	125 - 128
	Amendment Sheet (Parts Added)	129
	Amendment Sheet (Parts Deleted)	130
	Part Index	131 - 148

PLATE NO. : 1
COVER CYLINDER HEAD

PAGE NO.
1

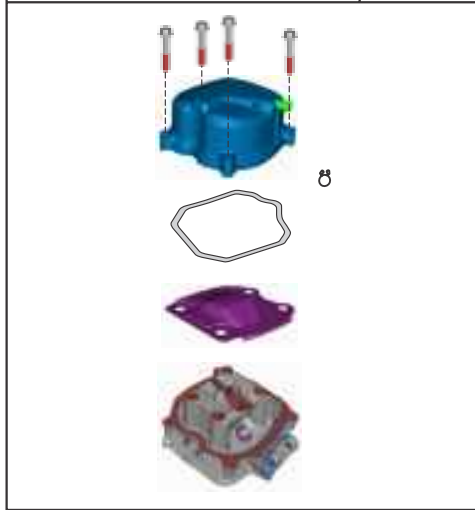


PLATE NO. : 2
SAI SYSTEM

PAGE NO.
3

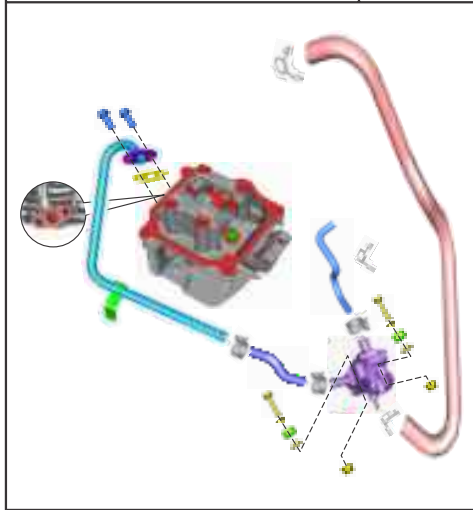


PLATE NO. : 3
CYLINDER HEAD

PAGE NO.
5

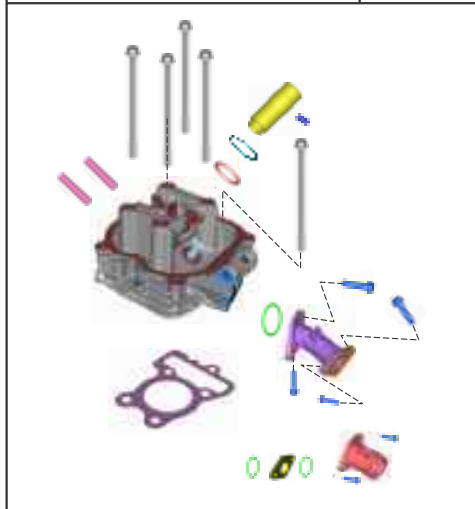


PLATE NO. : 4
VALVE

PAGE NO.
7

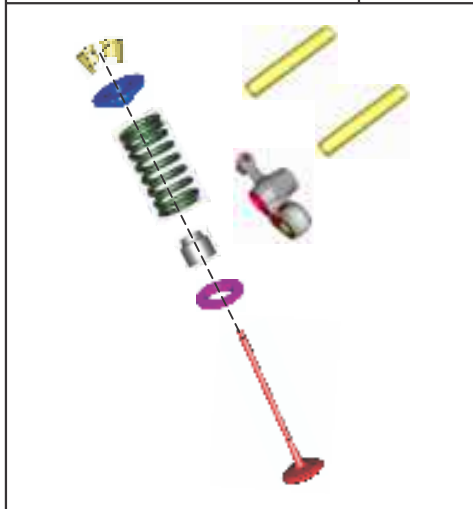


PLATE NO. : 5
CAMSHAFT / TENSIONER

PAGE NO.
9

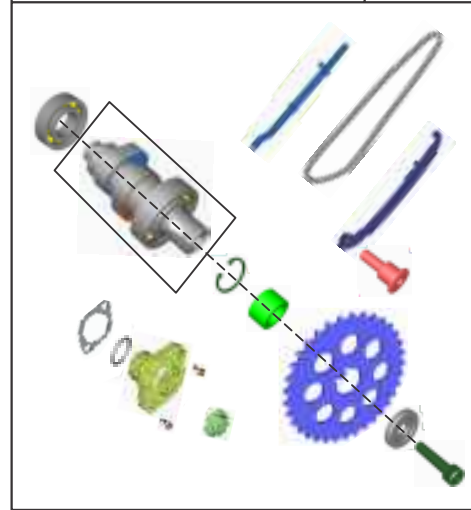


PLATE NO. : 6
CYLINDER & PISTON

PAGE NO.
11

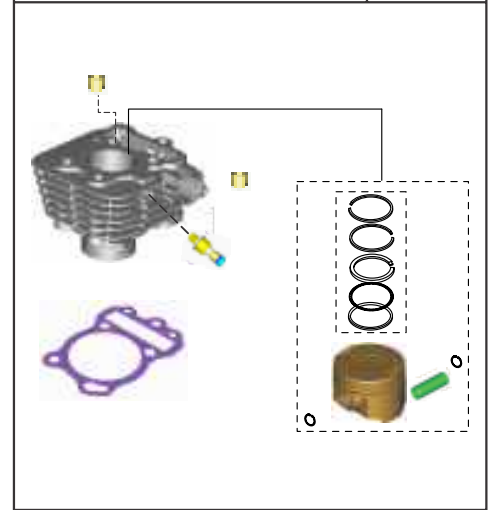


PLATE NO. : 7
CRANKSHAFT

PAGE NO.
13

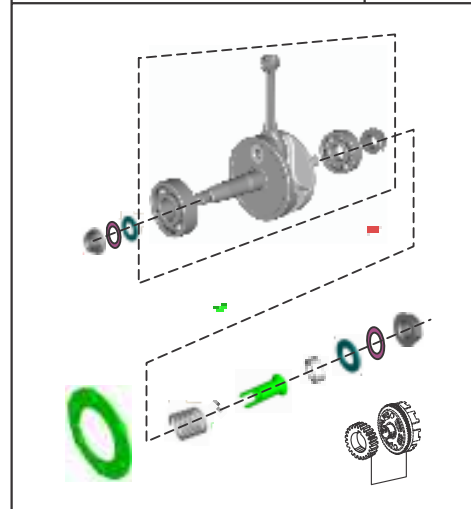
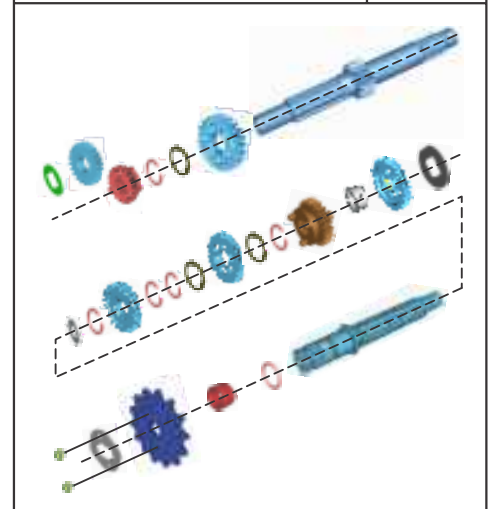


PLATE NO. : 8
TRANSMISSION

PAGE NO.
15



Pictorial Index

Discover 110 / 125 UG

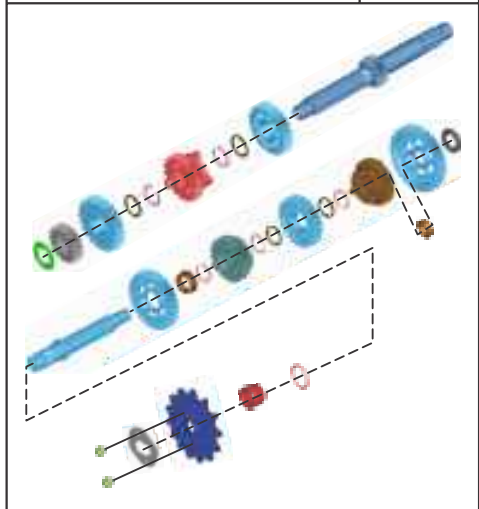
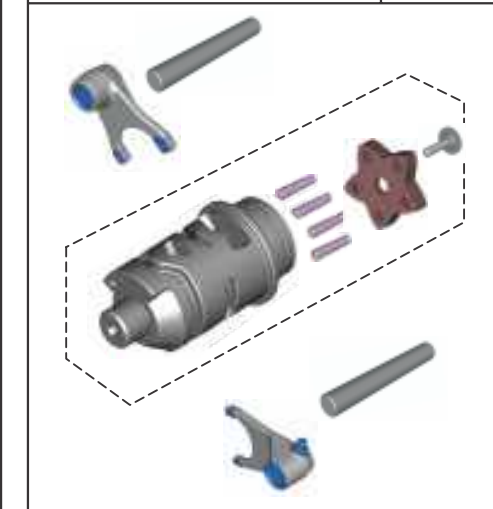
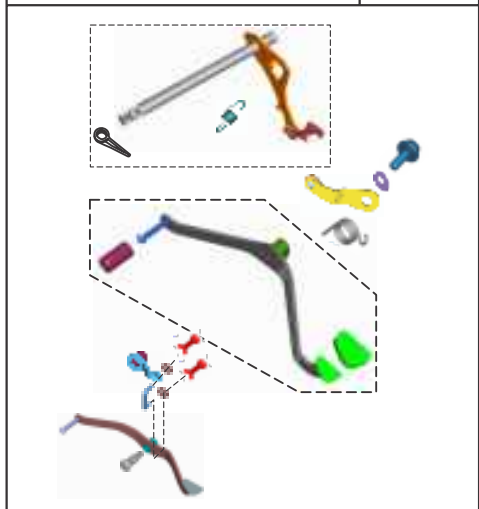
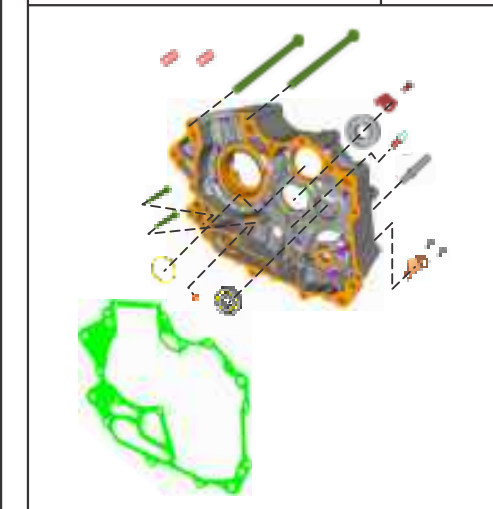
PLATE NO. : 9 TRANSMISSION (DISCOVER 125 UG)	PAGE NO. 17	PLATE NO. : 10 CHANGE DRUM & SHIFT FORK	PAGE NO. 19
			

PLATE NO. : 11 GEAR CHANGE MECHANISM	PAGE NO. 21	PLATE NO. : 12 ENGINE ASSEMBLY & CRANKCASE RH	PAGE NO. 23
			

Pictorial Index

Discover 110 / 125 UG

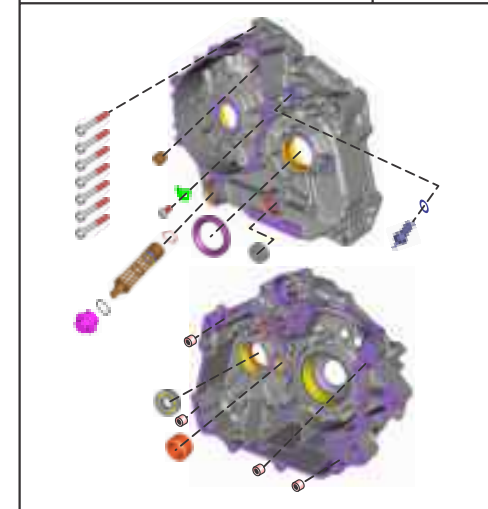
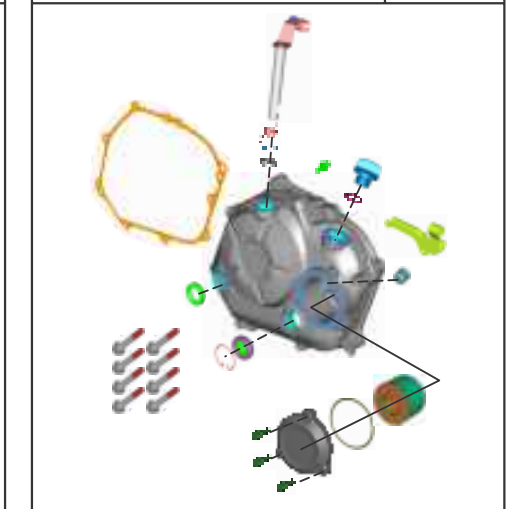
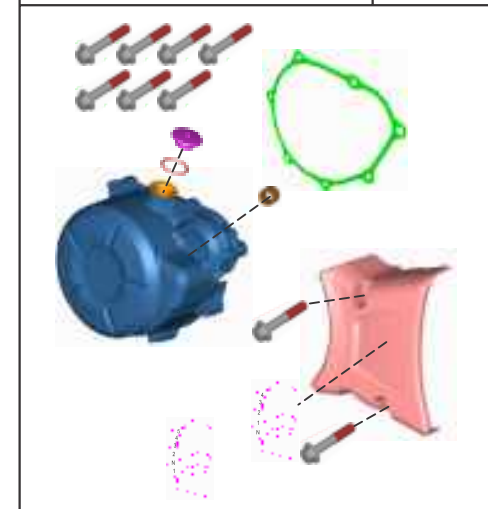
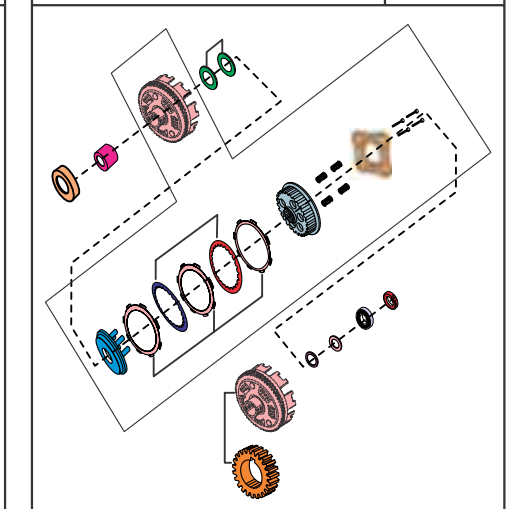
PLATE NO. : 13 CRANKCASE LH	PAGE NO. 25	PLATE NO. : 14 COVER CLUTCH	PAGE NO. 27
			

PLATE NO. : 15 COVER MAGNETO	PAGE NO. 29	PLATE NO. : 16 CLUTCH ASSEMBLY	PAGE NO. 31
			

Pictorial Index

DISCOVER 110 / 125 UG

PLATE NO. : 17
KICK STARTER MECHANISM

PAGE NO.
33

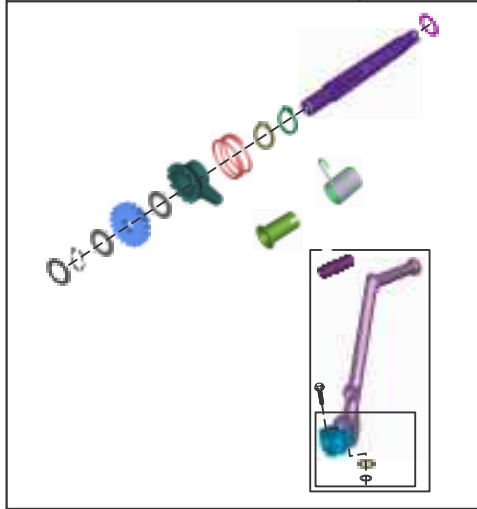


PLATE NO. : 18
CARBURETTOR ASSEMBLY
(DISCOVER 110)

PAGE NO.
35

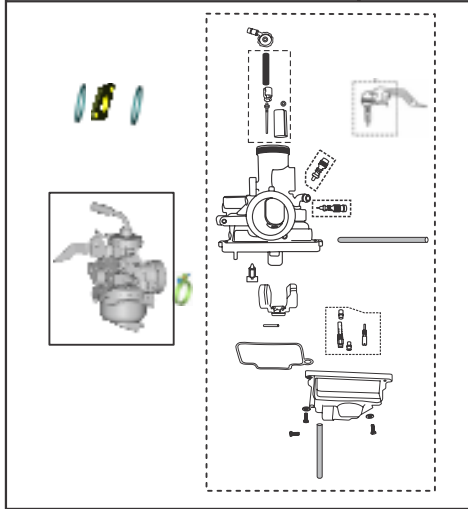


PLATE NO. : 19
CARBURETTOR ASSEMBLY
(DISCOVER 125 UG)

PAGE NO.
37

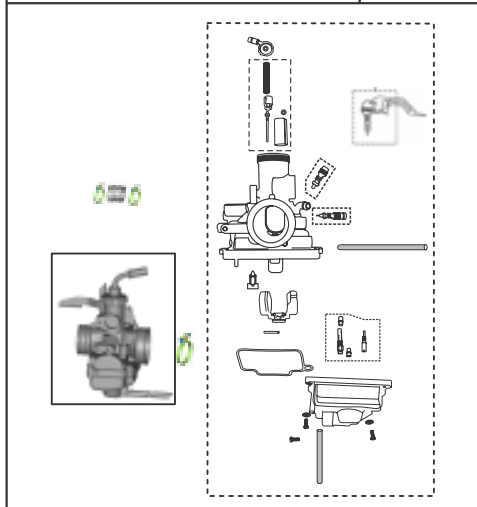
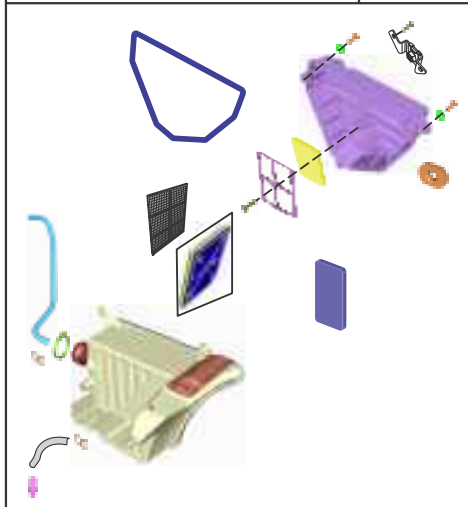


PLATE NO. : 20
AIR CLEANER COMPLETE

PAGE NO.
39



Pictorial Index

DISCOVER 110 / 125 UG

PLATE NO. : 21
EVAP MECHANISM

PAGE NO.
41

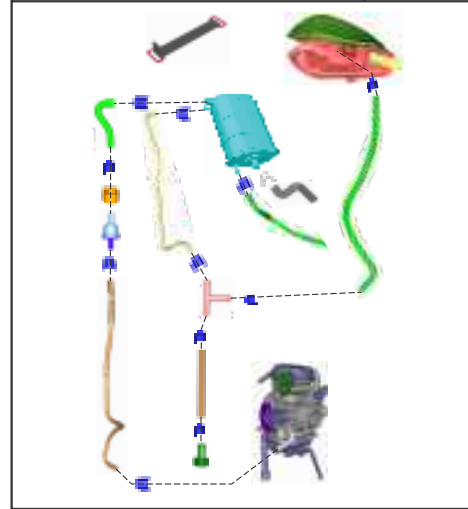


PLATE NO. : 22
SILENCER ASSEMBLY

PAGE NO.
43

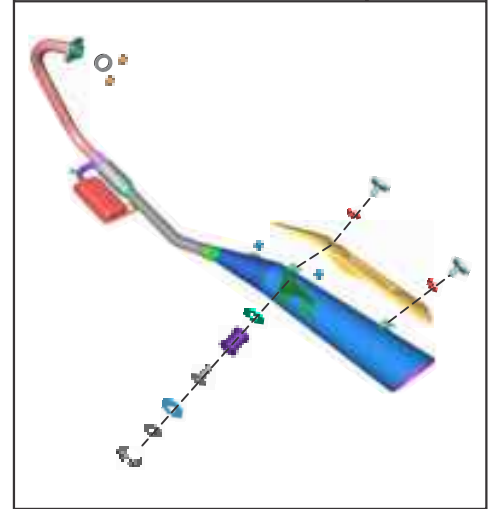


PLATE NO. : 23
OIL PUMP

PAGE NO.
45

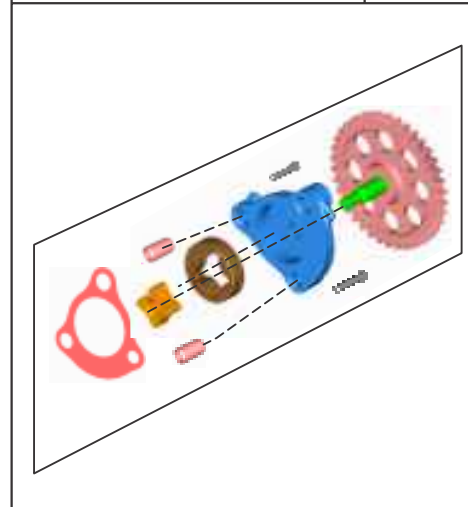
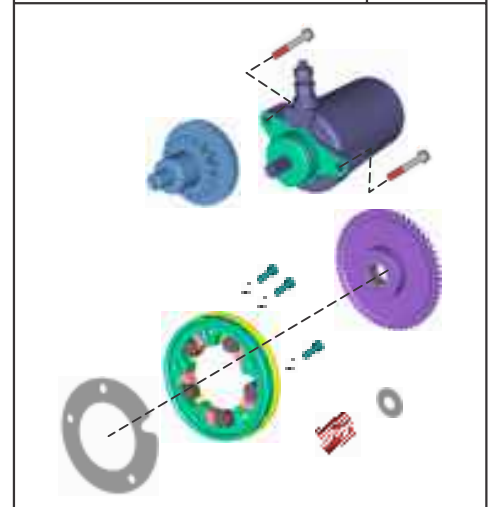


PLATE NO. : 24
STARTER ASSEMBLY

PAGE NO.
47



Pictorial Index

Discover 110 / 125 UG

PLATE NO. : 25
MAGNETO, CDI, SPARK PLUG & H.T. COIL

PAGE NO.
49

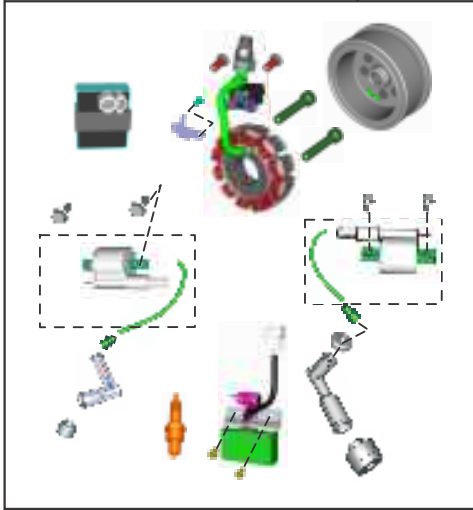


PLATE NO. : 26
SEAT ASSEMBLY & SEAT LOCK

PAGE NO.
51

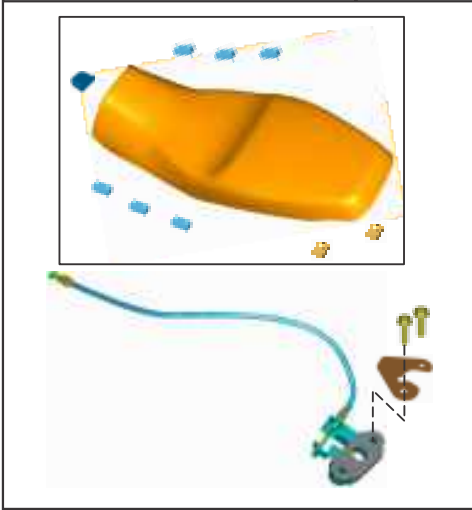


PLATE NO. : 27
ENGINE MOUNTINGS

PAGE NO.
53

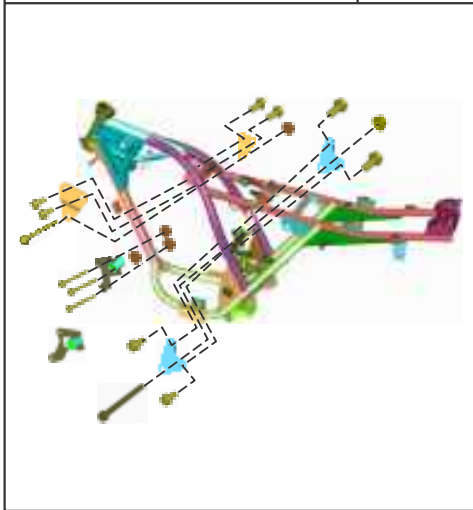
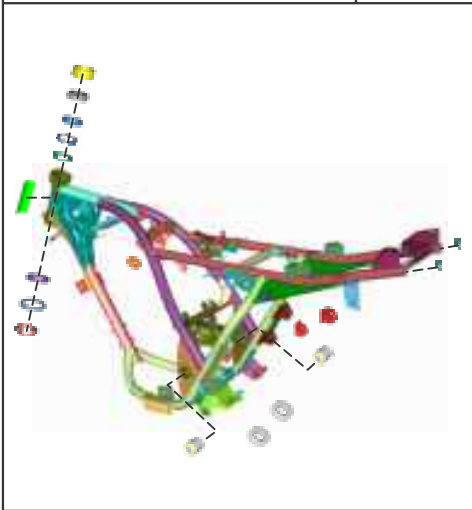


PLATE NO. : 28
FRAME & FRAME FITTING

PAGE NO.
55



Pictorial Index

Discover 110 / 125 UG

PLATE NO. : 29
SWING ARM & REAR SHOCK ABSORBER

PAGE NO.
57

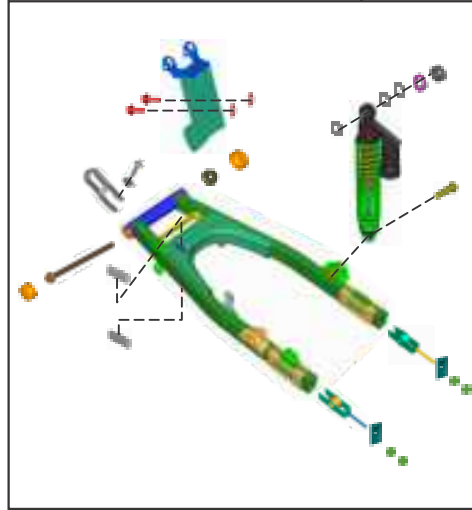


PLATE NO. : 30
RIDER FOOT REST

PAGE NO.
59

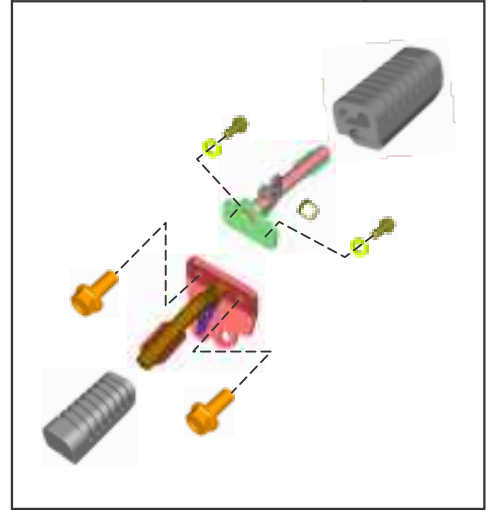


PLATE NO. : 31
PILLION FOOT REST & HOLDER

PAGE NO.
61

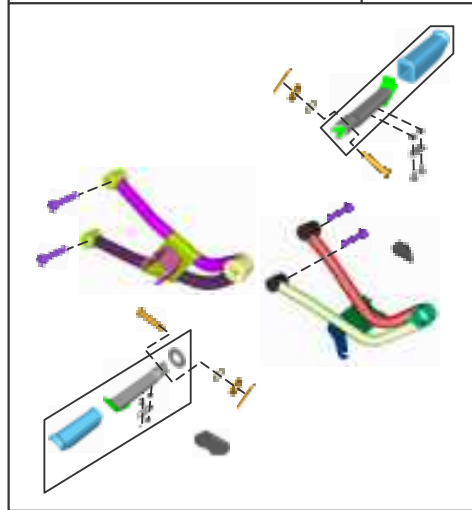


PLATE NO. : 32
MUDGUARD - FRONT & REAR

PAGE NO.
63

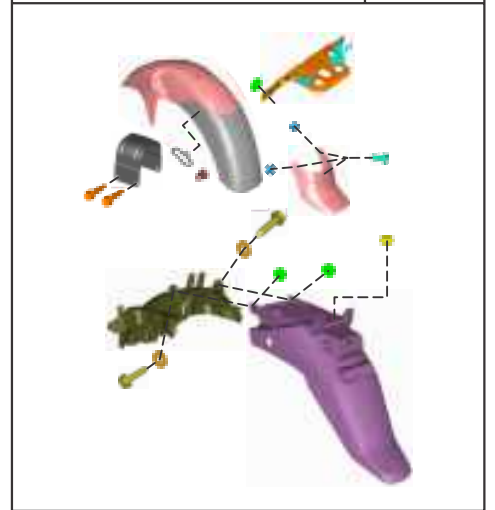


PLATE NO. : 33
STAND ASSEMBLY

PAGE NO.
65

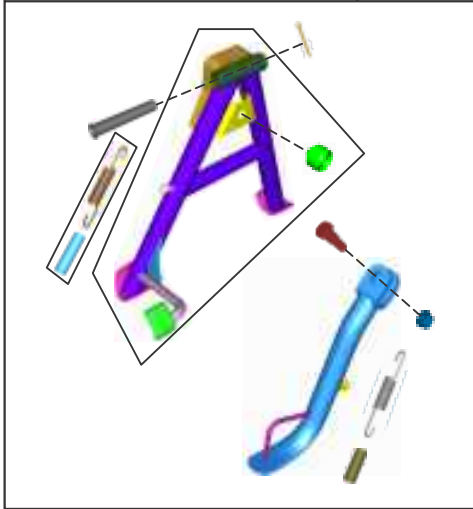


PLATE NO. : 34
TUBE / TYRE / RIM

PAGE NO.
67



PLATE NO. : 35
FRONT WHEEL HUB (DRUM BRAKE)

PAGE NO.
69

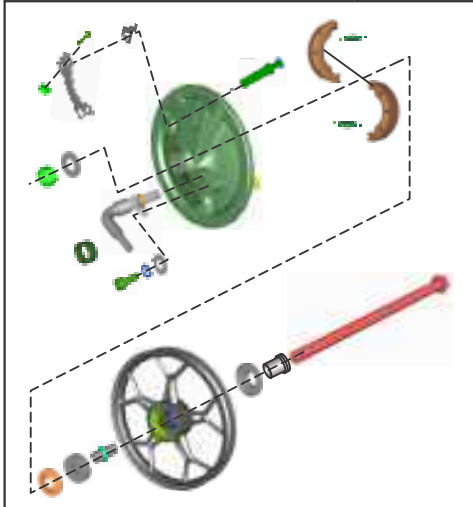


PLATE NO. : 36
FRONT WHEEL HUB (DISC BRAKE)

PAGE NO.
71

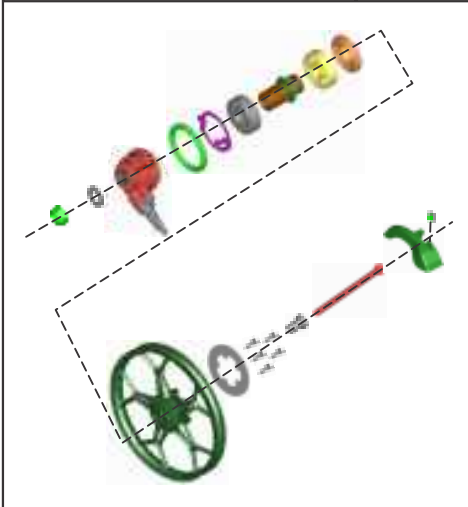


PLATE NO. : 37
FRONT MASTER CYLINDER

PAGE NO.
73

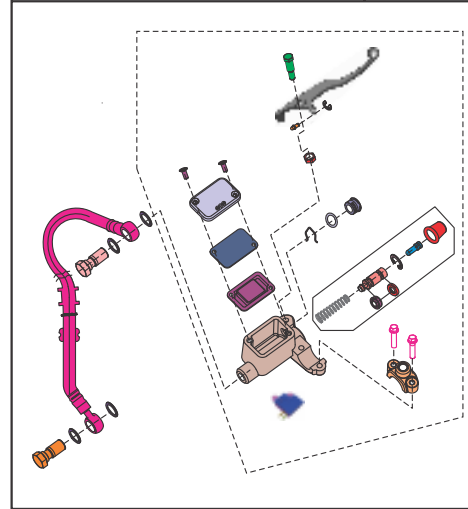


PLATE NO. : 38
FRONT DISC BRAKE CALIPER ASSEMBLY

PAGE NO.
75

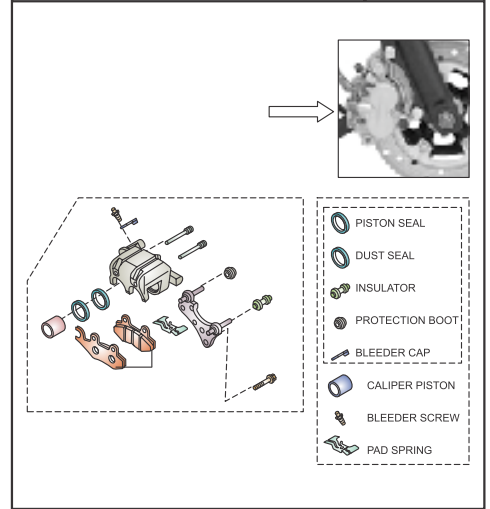


PLATE NO. : 39
REAR HUB

PAGE NO.
77 - 79

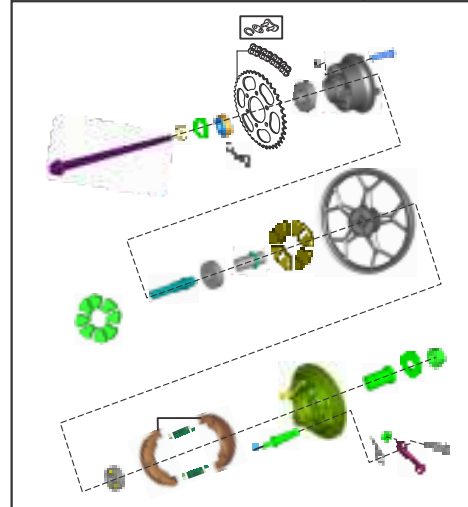
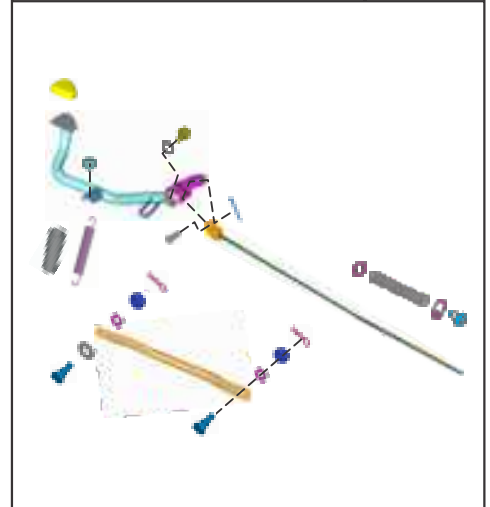


PLATE NO. : 40
REAR BRAKE PEDAL

PAGE NO.
81



Pictorial Index

Discover 110 / 125 UG

PLATE NO. : 41
CBS - COMBINED BRAKING SYSTEM

PAGE NO.
83

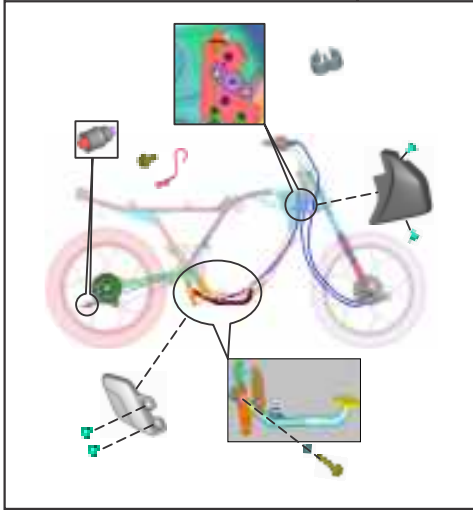


PLATE NO. : 42
HANDLE BAR

PAGE NO.
85 - 87

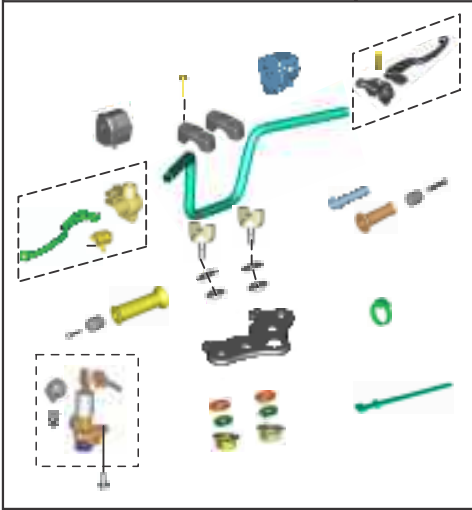


PLATE NO. : 43
FRONT FORK

PAGE NO.
89

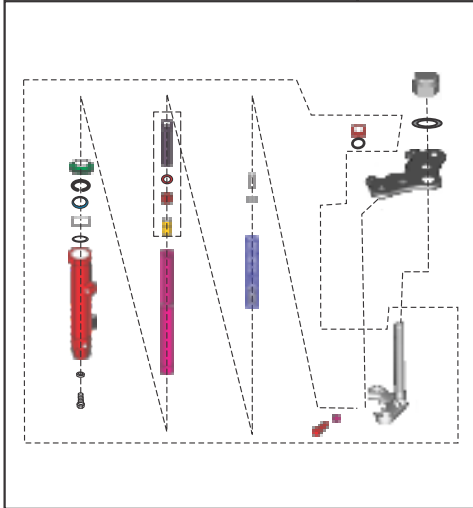
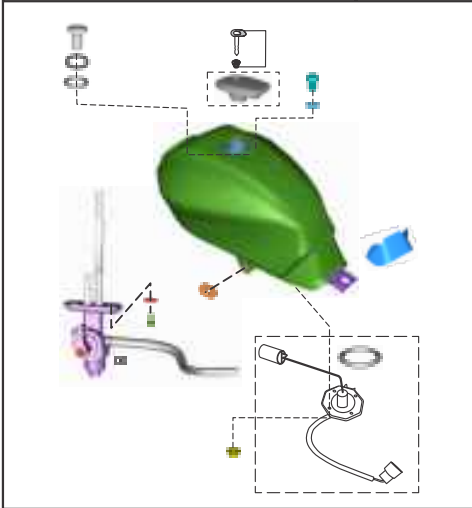


PLATE NO. : 44
PETROL TANK CAP & GAUGE FUEL

PAGE NO.
91



Pictorial Index

Discover 110 / 125 UG

PLATE NO. : 45
FITTINGS - PETROL TANK, SIDE COVERS &
COVER SEAT

PAGE NO.
93

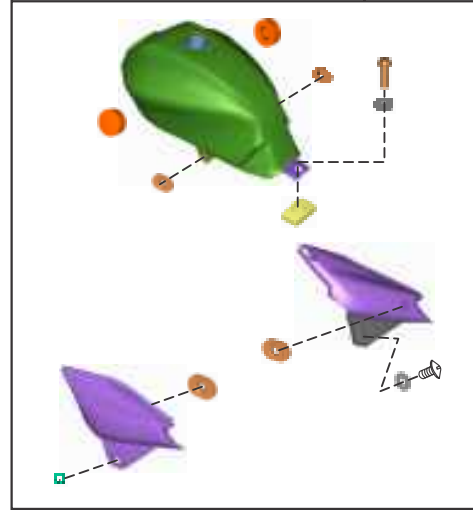


PLATE NO. : 46
SPEEDOMETER ASSEMBLY

PAGE NO.
95



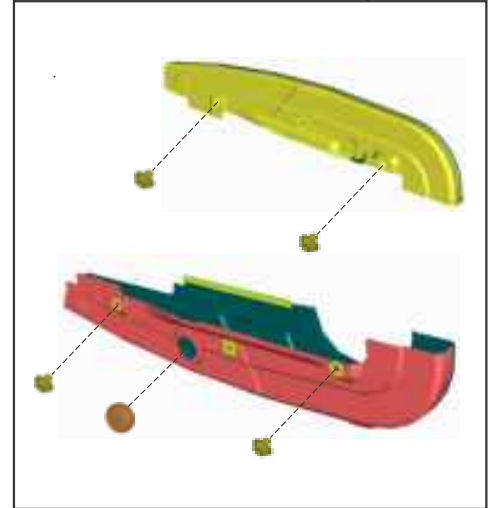
PLATE NO. : 47
CONTROL CABLES

PAGE NO.
97



PLATE NO. : 48
CHAIN CASE

PAGE NO.
99



Pictorial Index

Discover 110 / 125 UG

PLATE NO. : 49 HEAD LAMP & FAIRING	PAGE NO. 101 - 103

PLATE NO. : 50 INDICATOR LIGHT ASSEMBLY	PAGE NO. 105

PLATE NO. : 51 TAIL LAMP ASSEMBLY, FRONT & REAR NUMBER PLATE	PAGE NO. 107

PLATE NO. : 52 ELECTRICAL EQUIPMENTS	PAGE NO. 109

Pictorial Index

Discover 110 / 125 UG

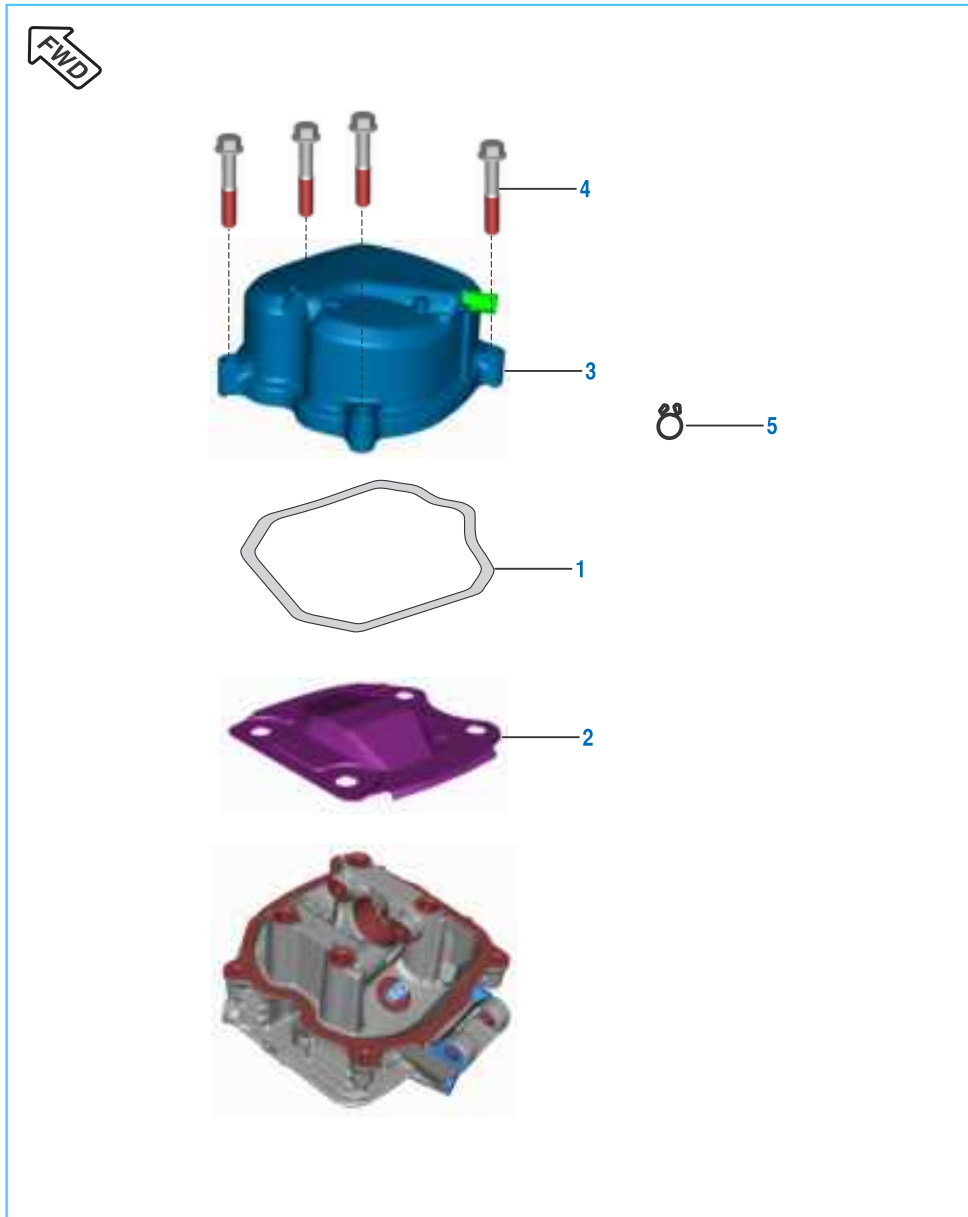
PLATE NO. : 53 ACCESSORIES & GRAB HANDLE	PAGE NO. 111

PLATE NO. : 54 TOOL KIT	PAGE NO. 113

PLATE NO. : 55 PAINTED PARTS AND DECALS	PAGE NO. 115 - 117

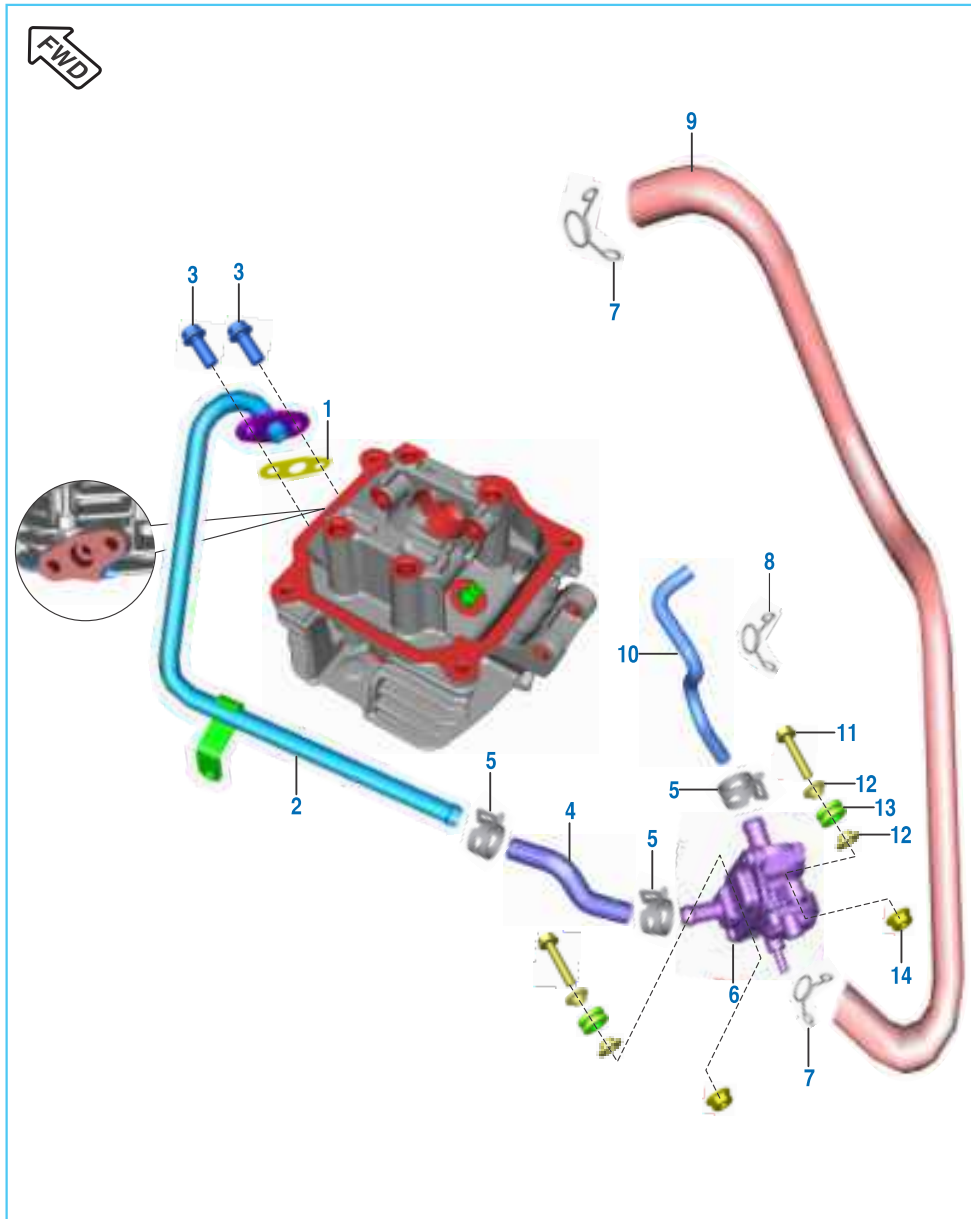
PLATE NO. : 56 CONSUMABLE PARTS	PAGE NO. 119 - 121

Cover Cylinder Head



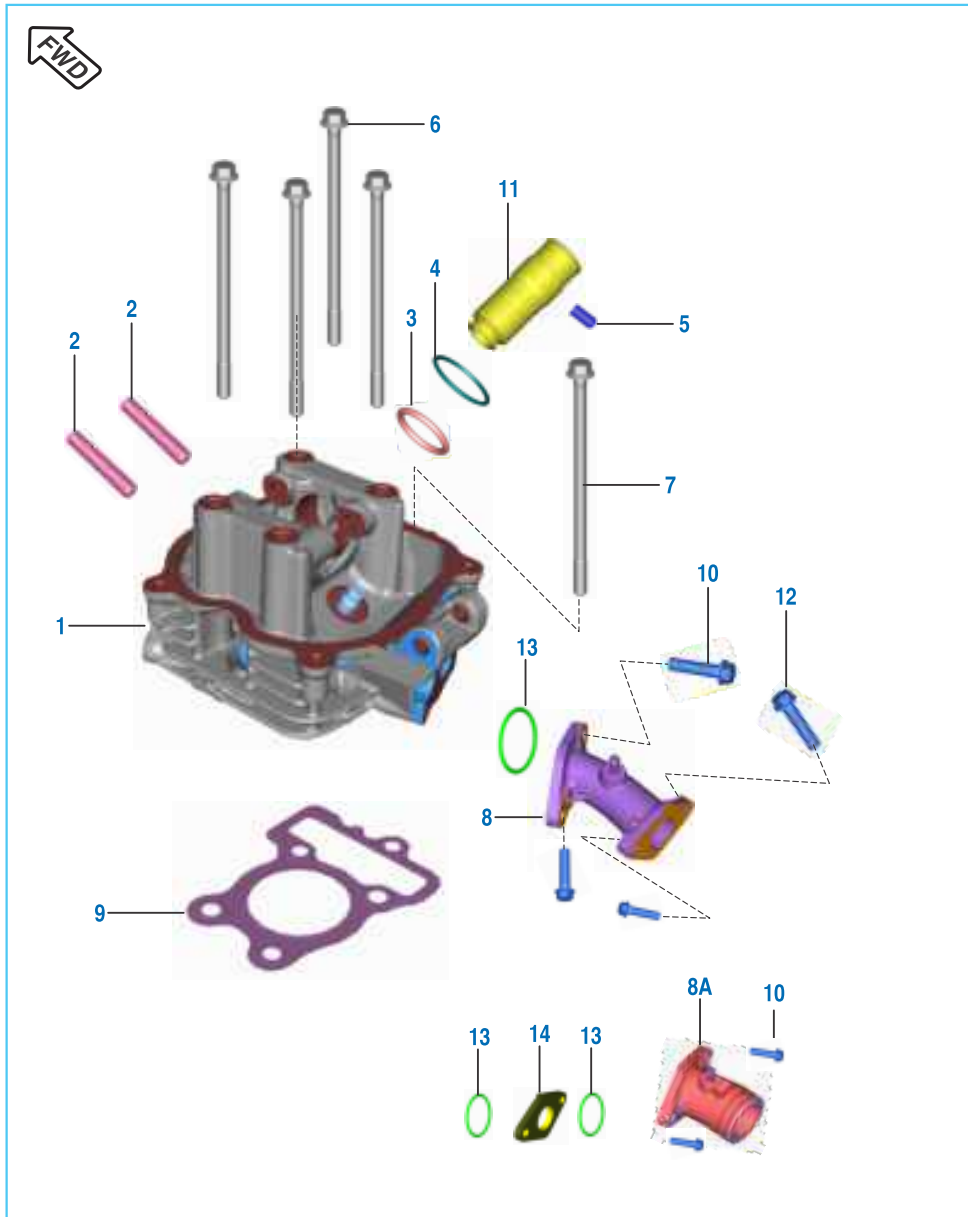
No.	Part No.	Description	Discover		Remarks
			110	125UG	
1	JV 5110 12	Gasket cover cylinder head	1	-	
	JD 5110 10	Gasket cover cylinder head	-	1	
2	JV 5110 11	Plate cylinder head	1	--	
	PA 5110 39	Plate cylinder head	-	1	
3	JV 5110 13	Cover cylinder head complete	1	-	
	JZ 5110 21	Cover cylinder head complete	-	1	
4	59 0400 38	Bolt flanged M6	4	4	For CBS Model
	JV 5410 07	Bolt flanged - M6 x 1 x L35	-	4	
	DG 1210 02	Clamp (Hose c'case breather)	2	2	

SAI System



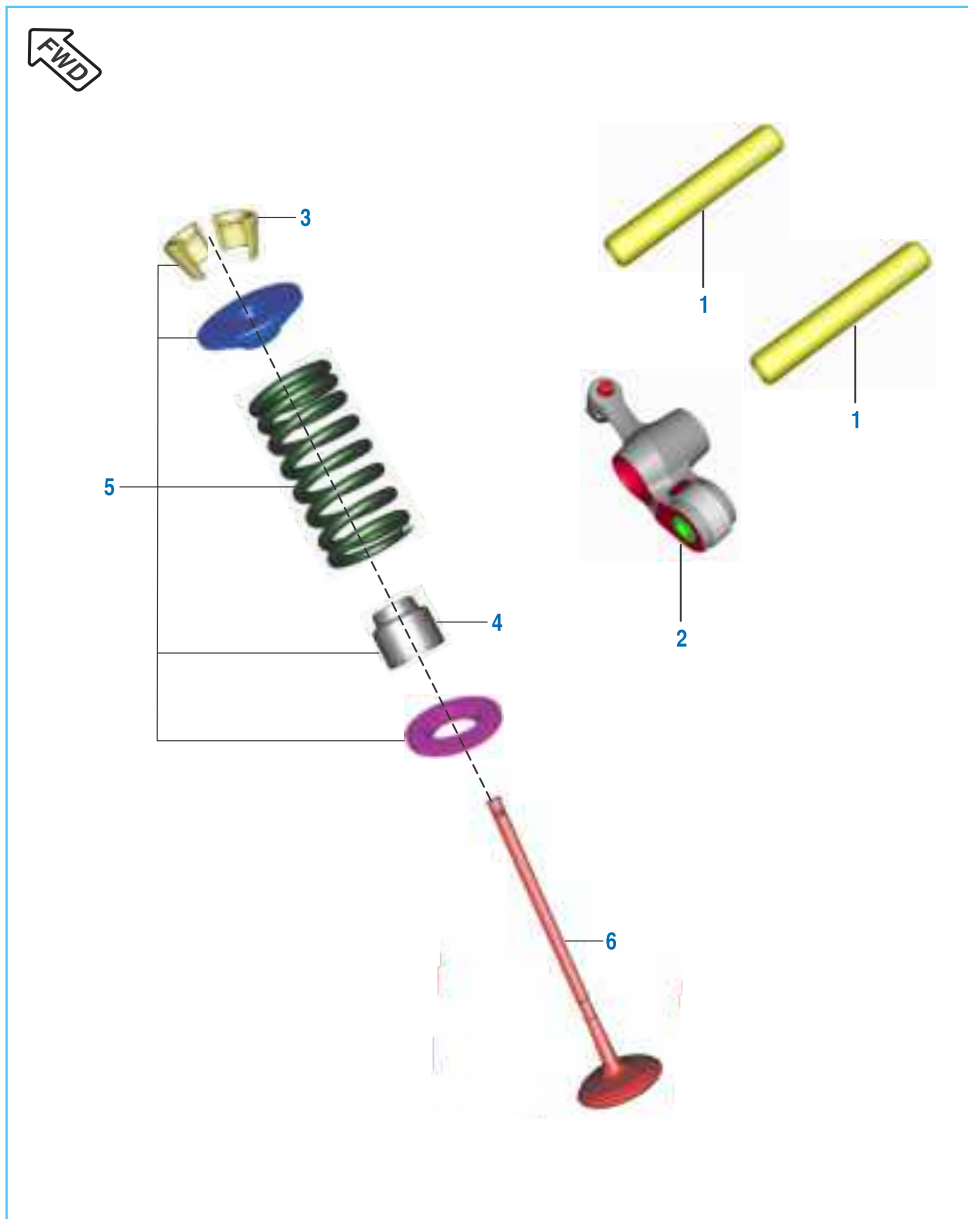
No.	Part No.	Description	Discover		Remarks
			110	125UG	
1	JE 5110 67	Gasket SAI flange	1	1	
2	PF 5824 01	Tube outlet SAI	1	--	
	PF 5824 09	Tube sai outlet	--	1	
3	KA EG06 14	Bolt – flanged – small	2	2	
4	JZ 5824 04	Hose connector SAI	1	1	
5	JL 5810 66	Clamp SAI pipe	3	3	
6	JH 5822 00	Assembly SAI unit	1	1	
7	DG 1210 03	Clamp	2	2	
8	DG 1210 40	Clamp	1	1	
9	JB 5824 00	Hose manifold SAI	1	--	
	JZ 5824 01	Hose manifold SAI	--	1	
10	JZ 5824 00	Hose intake SAI	1	1	
11	KA DF06 30	Bolt flanged	2	2	
12	JD 1138 15	Sleeve SAI unit	4	4	
13	JD 1138 14	Grommet SAI unit	2	2	
14	KC GA06 06	Nut hex flanged	2	2	

Cylinder Head



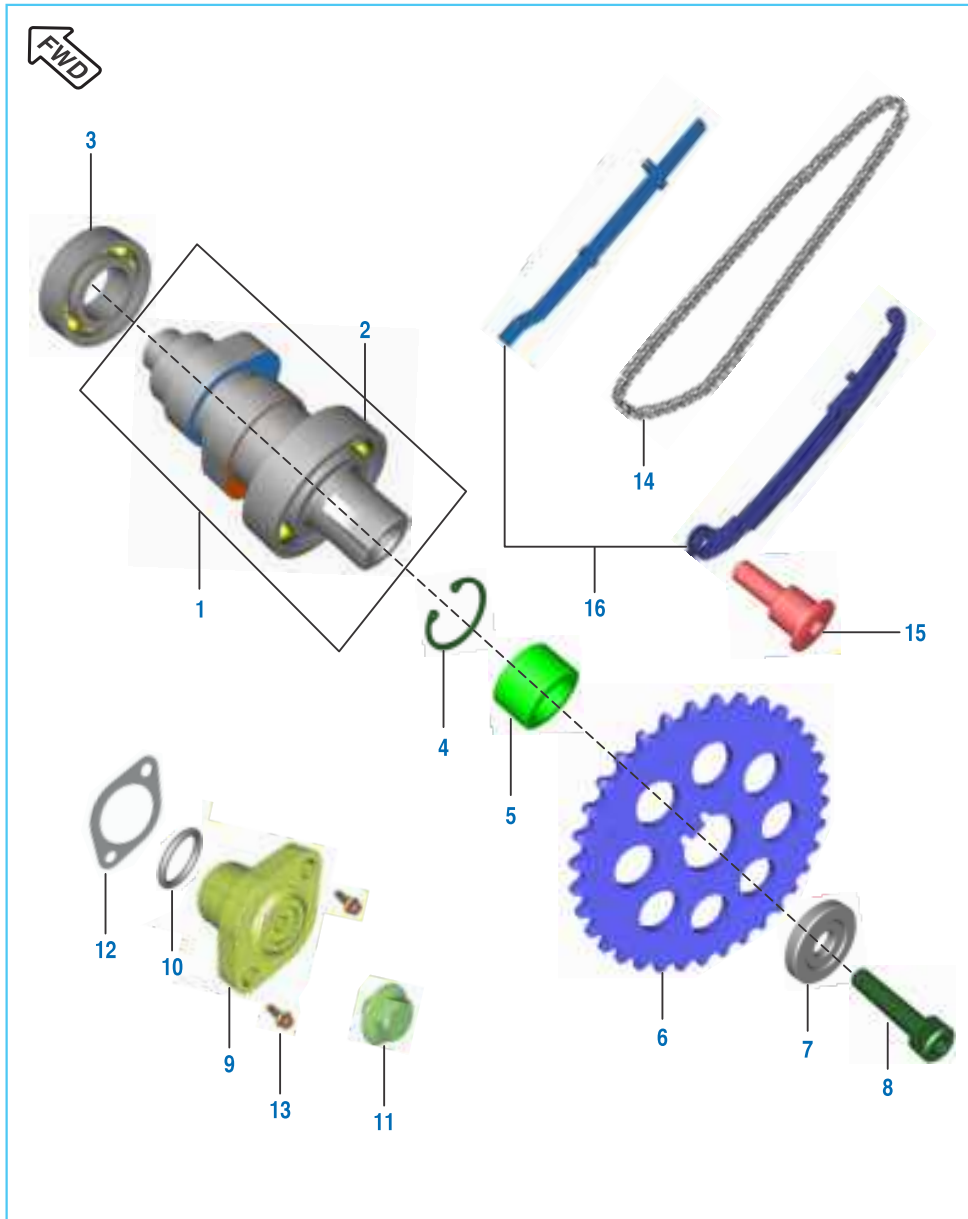
No.	Part No.	Description	Discover		Remarks
			110	125UG	
1	PF 5111 14	Head cylinder machined	1	--	
	PF 5111 35	Head cylinder	--	1	
2	LA J000 02	Bolt stud - M8	2	2	
	39 1660 05	Stud - M8	--	2	
3	KJ AC18 24	O - ring	1	1	
4	39 1283 21	O - ring	1	1	
5	39 2608 01	Grub screw	1	1	
6	JB 5110 11	Bolt head mounting - M8x1.25x190L	4	--	
	JA 5110 08	Bolt head mounting - M8x1.25x196L	--	4	
7	JB 5110 15	Bolt head mtg	1	--	
	59 0400 50	Flanged bolt M8 x 1 x L148	--	1	
8	52 JB55 04	Manifold assembly	1	--	
8A	52 JZ17 62	Manifold assembly	--	1	
9	PF 5111 11	Gasket head cylinder	1	--	
	PA 5110 98	Gasket cylinder head	--	1	
10	KA ED06 20	bolt - flanged - small	--	2	
11	DH 1023 29	Sleeve spark plug	1	--	
	JF 5110 52	Sleeve spark plug	--	1	
12	KA ED06 25	Bolt flanged small	2	2	
13	39 2539 21	O Ring	--	2	
	JB 5812 72	O Ring	2	--	
14	PF 5814 23	Insulator manifold	--	1	
	PA 5812 24	Insulator manifold	1	--	

Valve



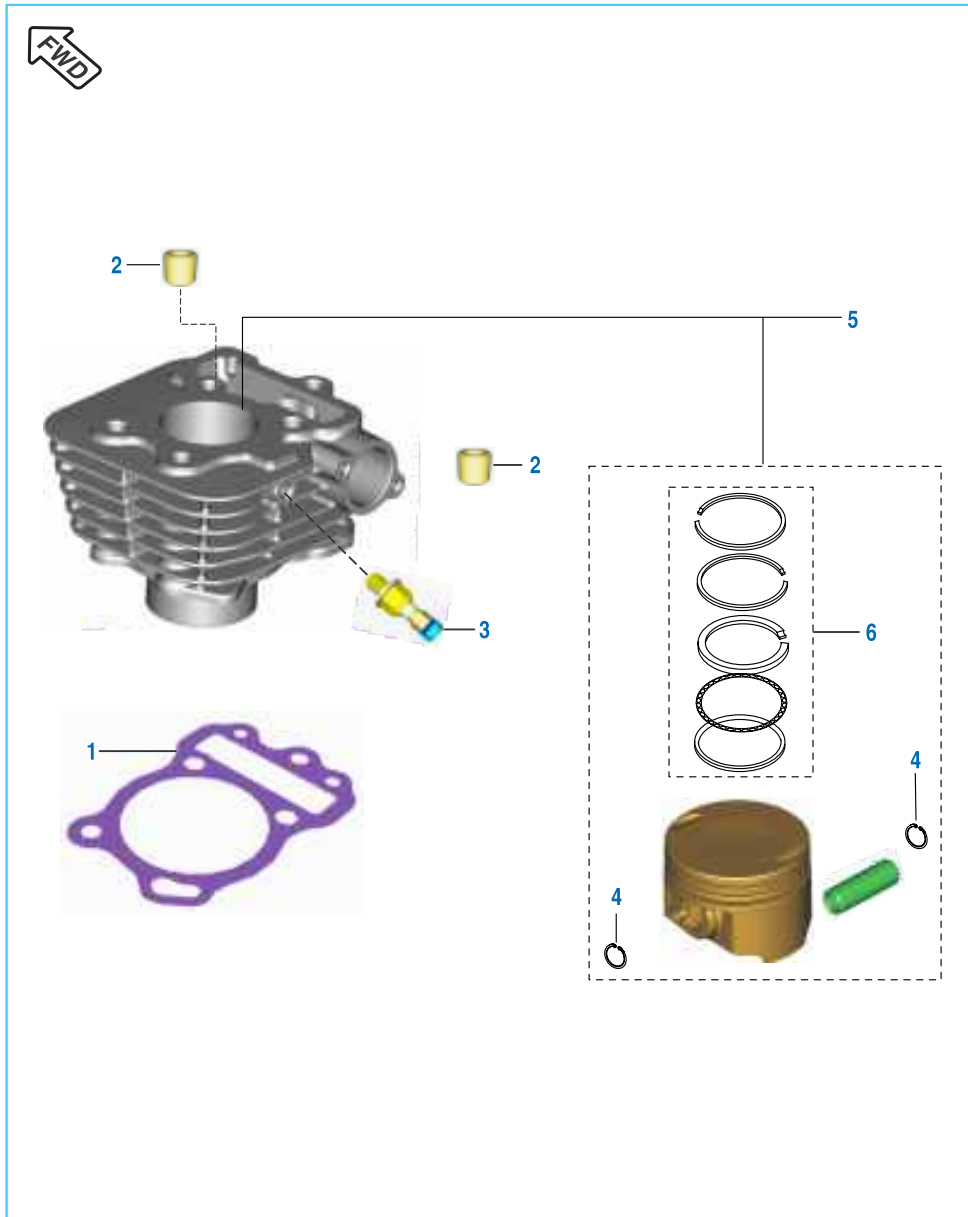
No.	Part No.	Description	Discover		Remarks
			110	125UG	
1	JA 5112 11	Shaft Rocker Arm Ex (48.2L)	2	--	
	DK 1017 51	Shaft rocker arm exhaust	--	2	
2	DU 1011 90	Assly Rocker Arm Roller + Bearing	2	--	
	JH 5112 10	Assembly rocker arm C101B	--	2	
3	CB 1010 22	Cotter Valve	4	4	
4	CB 1010 09	Seal Valve Stem	2	2	
5	36 JV00 06	Kit valve repair	1	--	
	36 JH00 29	Kit valve repair	--	1	
6	36 DU40 76	Kit valve intake + exhaust	1	--	
	36 Jh00 28	Kit valve intake + exhaust	--	1	

Camshaft / Tensioner



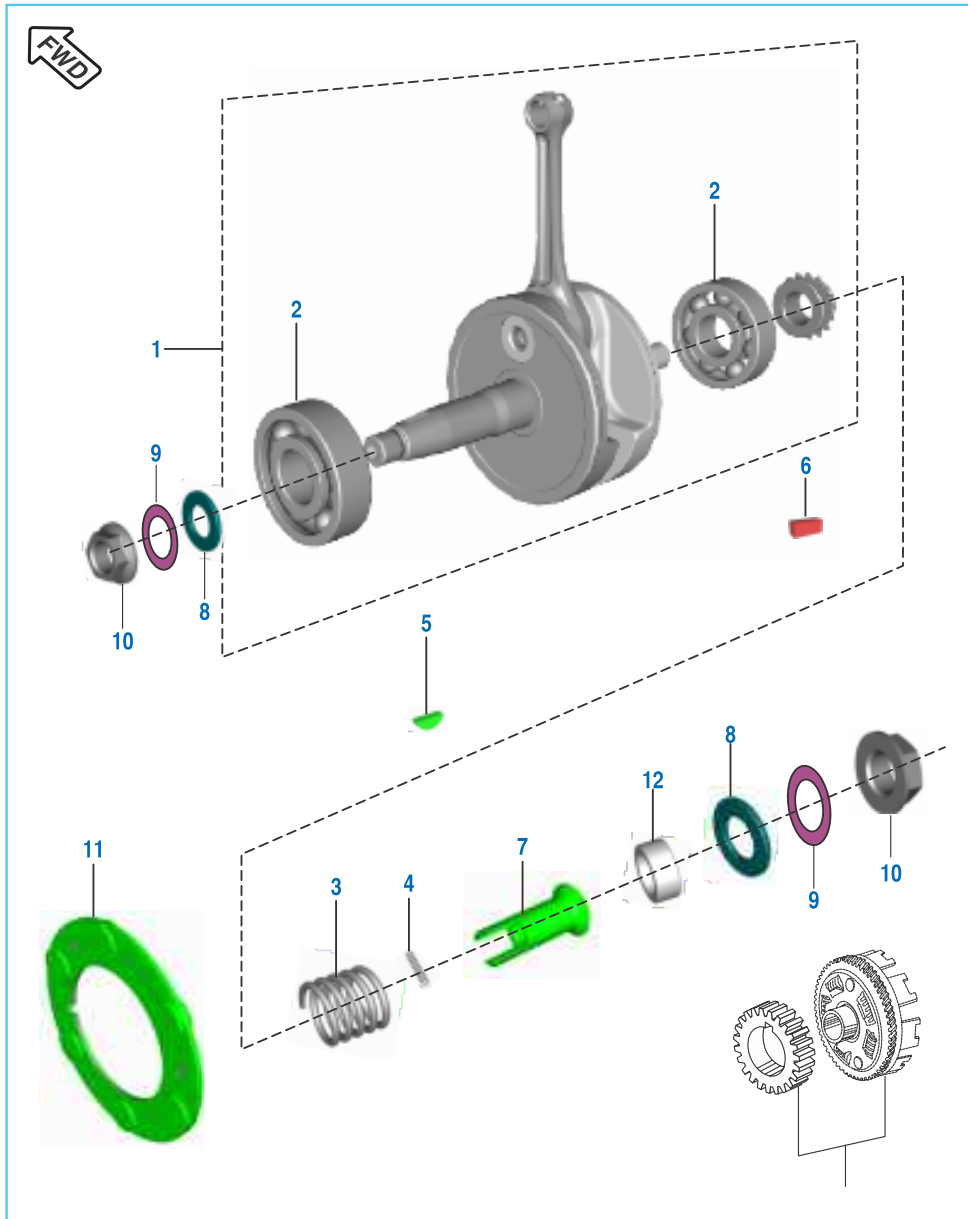
No.	Part No.	Description	Discover		Remarks
			110	125UG	
1	PF 5112 09	Assembly camshaft	1	--	
	PF 5112 22	Camshaft assembly	--	1	
2	JE 5110 49	Bearing cam shaft	1	1	
3	39 1988 20	Bearing bearing (12 x 28 x 8) C3	1	1	
4	39 0594 17	Internal circlip	1	1	
5	JA 5112 16	Spacer cam sprocket	1	1	
6	PF 5112 03	Sprocket cam	1	--	
	DS 1012 76	Sprocket cam	--	1	
7	DH 1010 48	Special camshaft washer	1	1	
8	DK 1013 86	Precoated soc HD cap bolt M8 x 40	1	1	
9	JE 5210 16	Tensioner chain	1	1	
10	39 2669 21	O-ring	1	1	
11	DD 1010 62	Bolt	1	1	
12	CS 1011 28	Gasket	1	1	
13	KA ED06 20	Bolt flanged small	2	2	
14	DS 1099 05	Cam chain (94 links)	1	--	
	JE 5112 30	Cam chain (94 links)	--	1	
15	DH 1013 92	Cam chain tensioner pivot bolt	1	1	
16	36 PF00 61	Kit cam chain guide	1	--	
	36 PA01 15	Kit cam chain guide	--	1	

Cylinder & Piston



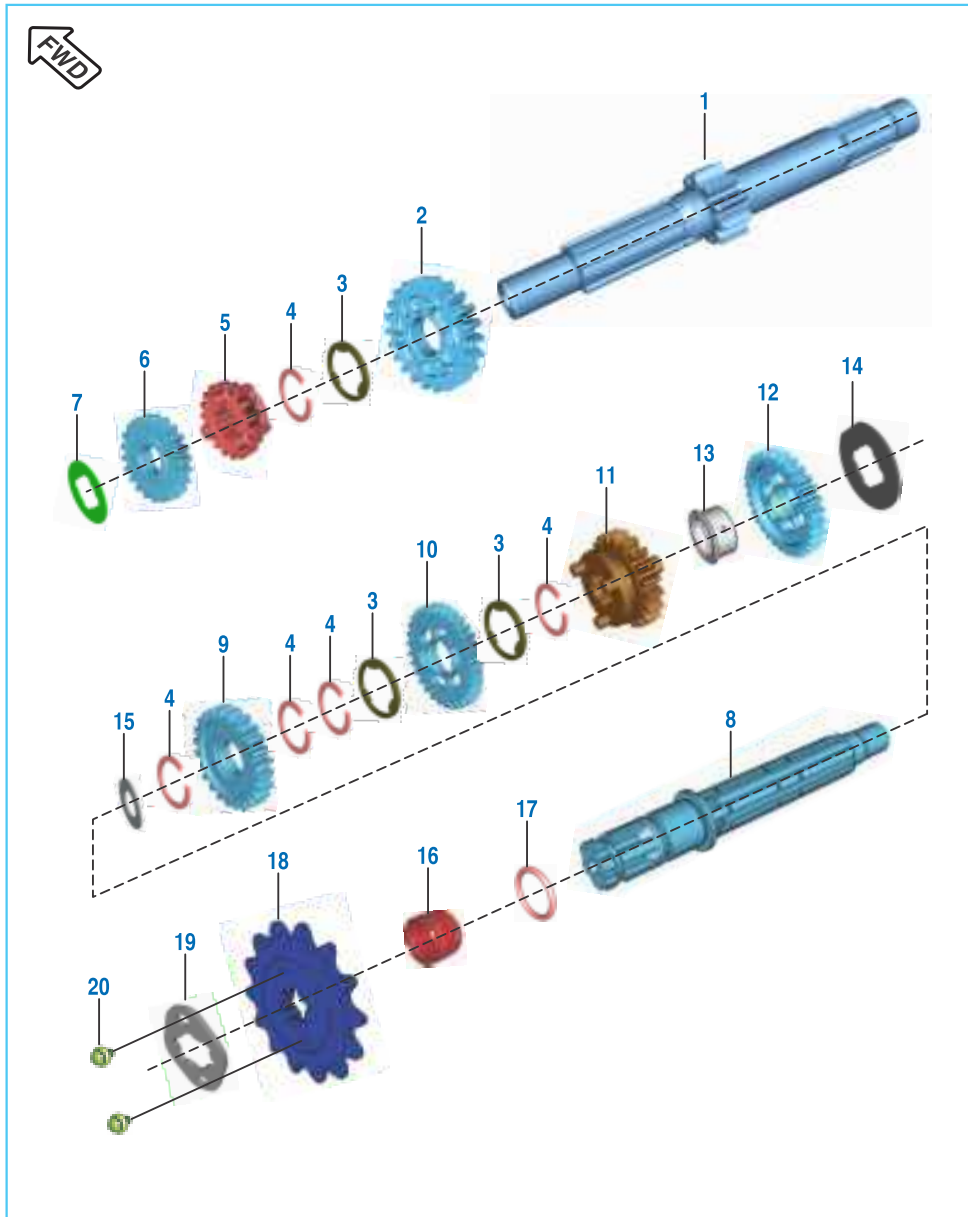
No.	Part No.	Description	Discover		Remarks
			110	125UG	
1	JH 5210 07	Gasket cylinder block	1	1	
2	39 1000 06	Hollow dowel pin	2	2	
3	JE 3514 03	Engine temp sensor	1	1	
4	PA 5212 14	Circlip piston	2	--	
	PA 5212 29	Circlip piston	--	2	
5	36 JK00 64	Kit cyl block & piston	1	--	
	36 JZ01 83	Kit cyl block & piston	--	1	
6	36 JK00 65	Kit piston rings	1	--	
	36 JH00 32	Kit piston rings	--	1	

Crankshaft



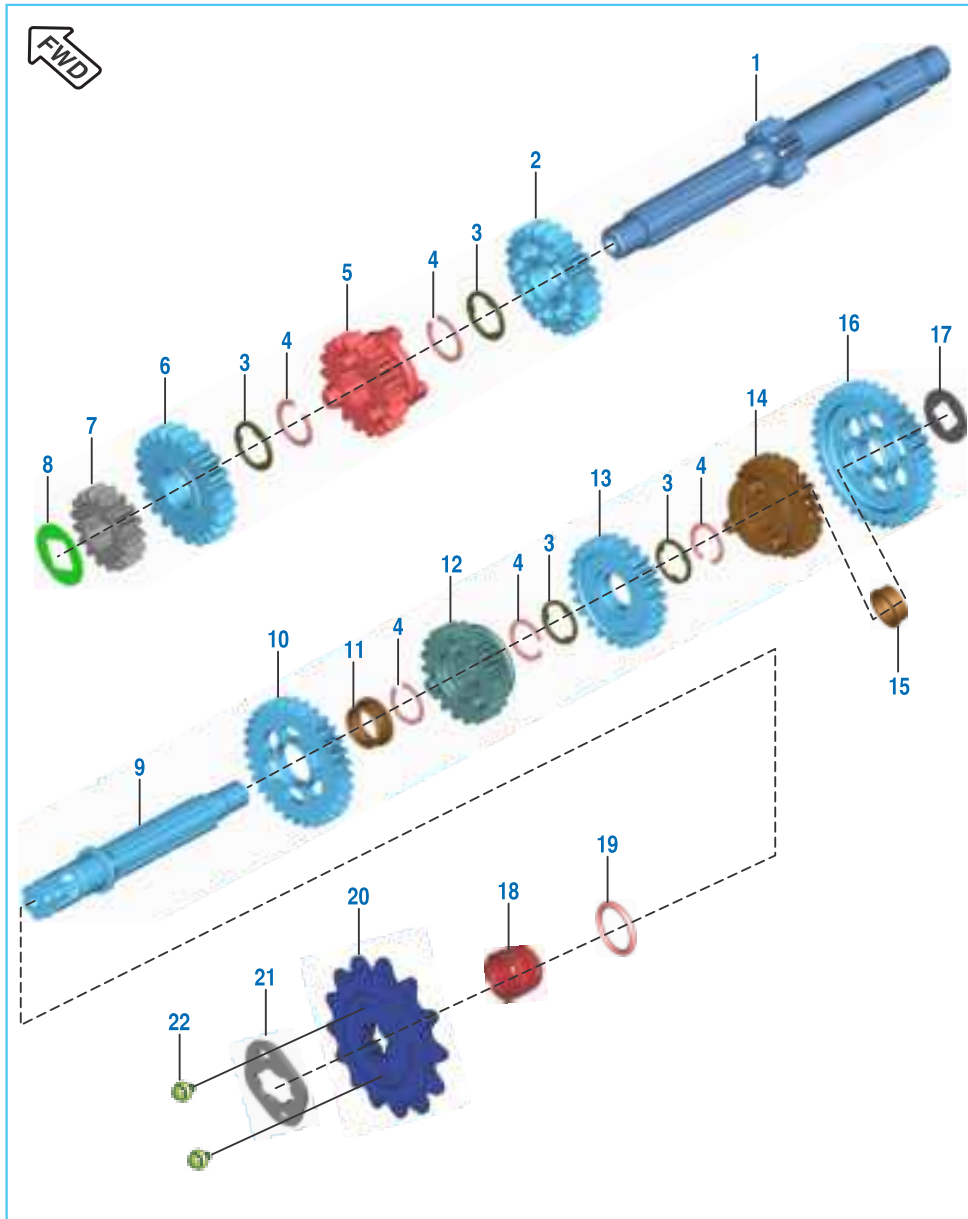
No.	Part No.	Description	Discover		Remarks
			110	125UG	
1	JB 5310 23	Assembly crankshaft	1	--	
	JH 5310 07	Assembly crankshaft	-	1	
2	JE 5310 01	Bearing 56*22*16	2	2	
3	JA 5310 12	Spring	1	1	
4	JA 5310 15	Pin (c/s plunger)	1	1	
5	31 1011 73	Key wood ruff	1	1	
6	DS 1011 54	Key	1	1	
7	JB 5310 21	Plunger oil crankshaft	1	1	
8	59 1100 08	Plain washer	1	--	
	LD A000 25	Plain washer	-	2	
9	59 1200 03	Beleville washer	2	--	
10	59 1500 14	Nut hex fl-m14x1xht.9xcl.10xbright	2	2	
11	JE 5410 38	Damper crankshaft	1	1	
12	JD 5310 04	Spacer crankshaft	-	1	

Transmission



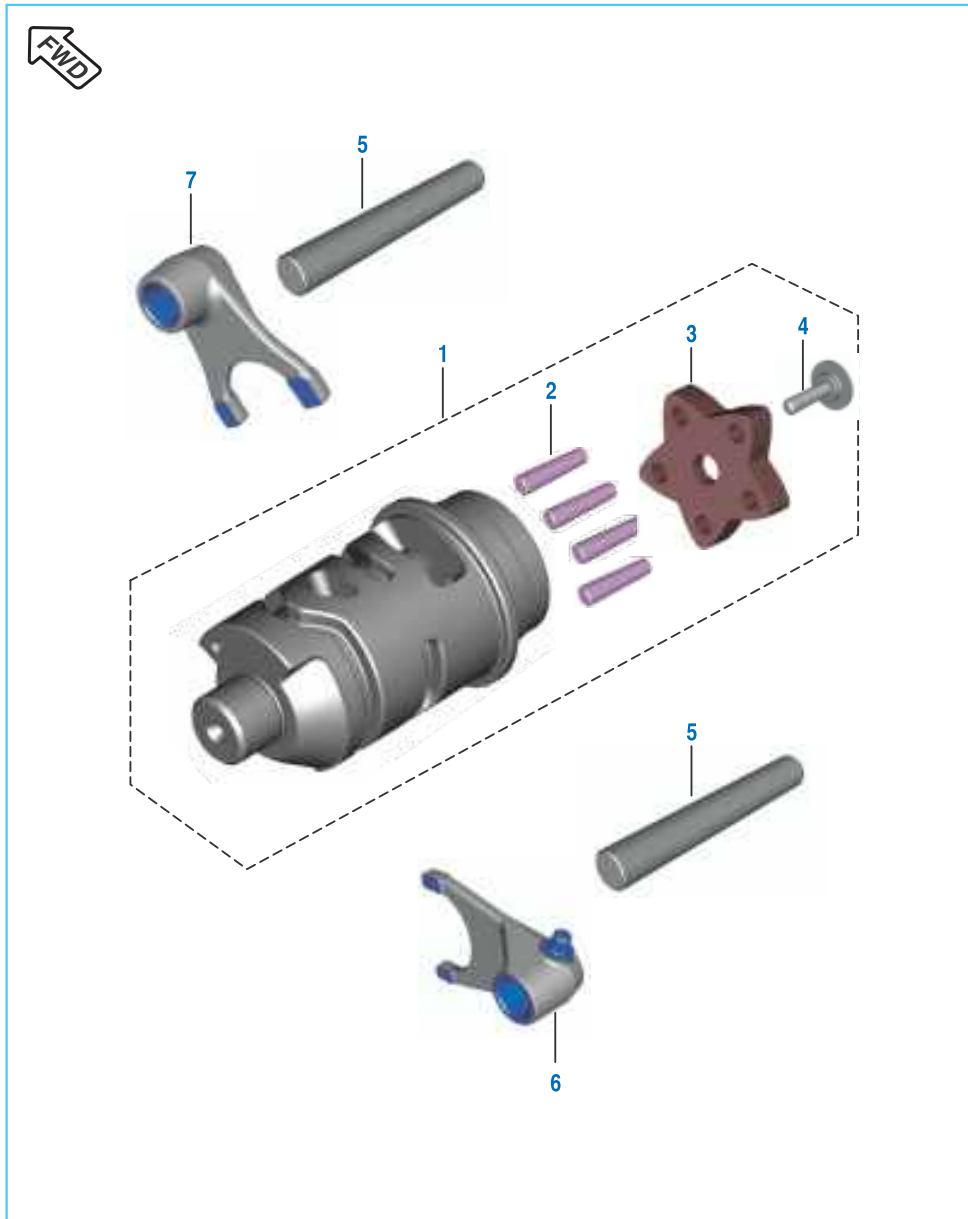
No.	Part No.	Description	Discover		Remarks
			110	125UG	
1	PA 5510 02	Shaft input	1	--	
2	PA 5512 07	Gear 4th drive	1	--	
3	JA 5510 02	Spline washer (17.2 x 20.5 x 1.5)	3	--	For CBS Model
4	39 0987 17	Ring snap	5	--	For CBS Model
5	PF 5512 01	Gear 3rd drive	1	--	
6	PF 5512 00	Gear 2nd drive	1	--	
7	JA 5510 04	Washer thrust 2nd drive	1	--	For CBS Model
8	PF 5510 03	Shaft output	1	--	
9	PF 5512 03	Gear 2nd driven	1	--	
10	PF 5512 04	Gear 3rd driven	1	--	
11	PA 5512 06	Gear 4th driven	1	--	
12	PA 5512 05	Gear 1st driven	1	--	
13	JZ 5512 05	Bush 1st driven	1	--	For CBS Model
14	JA 5510 08	Washer thrust (12.2x27x1)	1	--	For CBS Model
15	PF 5512 06	Washer gear 2nd driven	1	--	
16	JA 5510 09	Collar sprocket drive	1	--	For CBS Model
17	59 2100 24	O-ring 13.8*1.9	1	--	For CBS Model
18	JZ 5510 04	Sprocket output	1	--	For CBS Model
19	DU 1012 13	Plate lock-sprocket output	1	--	For CBS Model
20	DS 1013 55	Hex. Socket head bolt	2	--	For CBS Model

Transmission (Discover 125 UG)



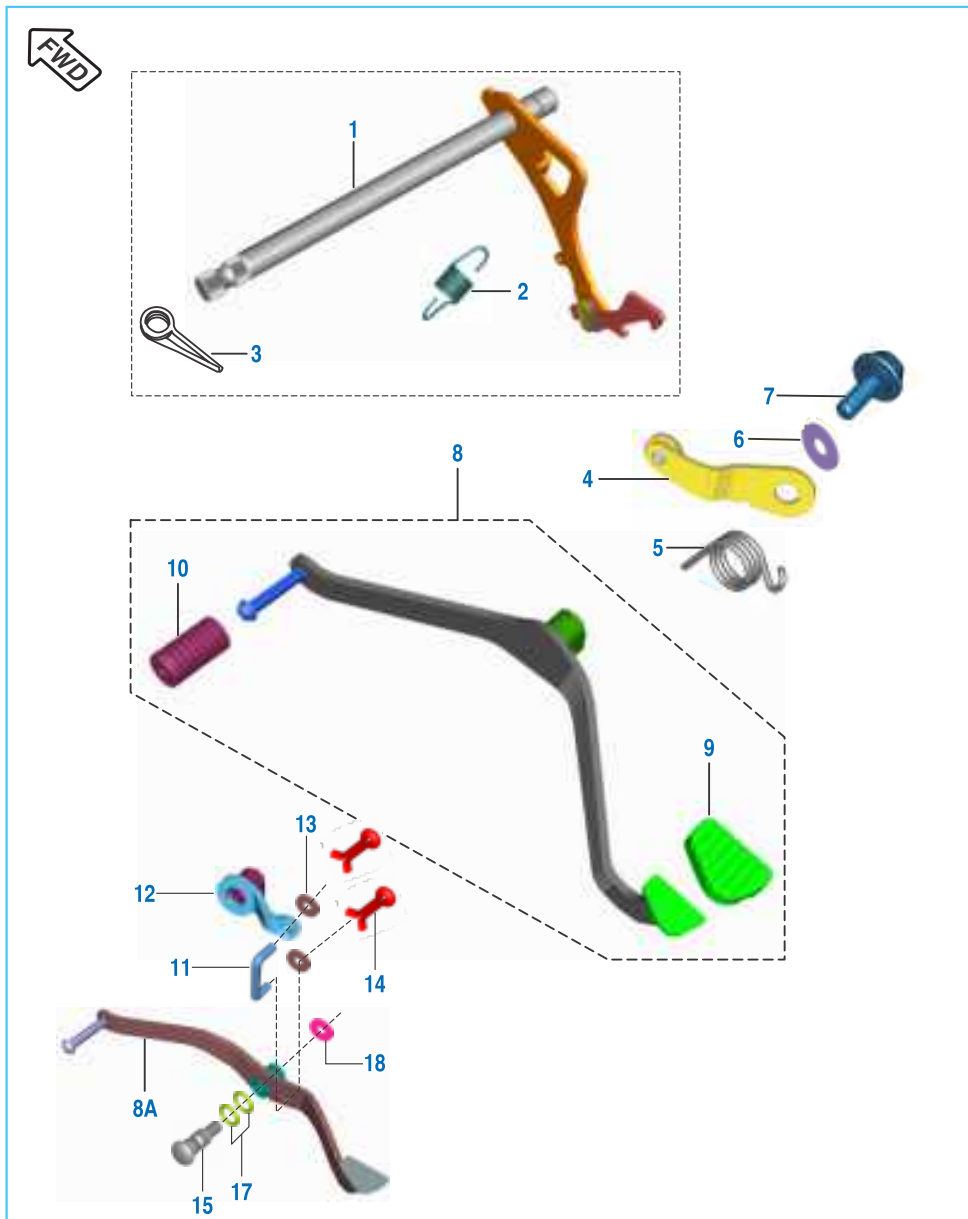
No.	Part No.	Description	Discover		Remarks
			110	125UG	
1	JZ 5510 10	Shaft input	-	1	
2	JZ 5512 02	Gear 4th drive	-	1	
3	JA 5510 02	Spline washer (17.2 x 20.5 x 1.5)	-	4	
4	39 0987 17	Ring snap	-	5	
5	JE 5512 01	Gear 3rd drive	-	1	
	JE 5512 09	Gear 3rd drive	-	1	For CBS Model
6	JZ 5512 13	Gear 5th drive	-	1	
7	JE 5512 00	Gear 2nd drive	-	1	
8	JA 5510 04	Washer thrust 2nd drive	-	1	
9	JZ 5510 08	Shaft output	-	1	
10	JE 5512 05	Gear 2nd driven	-	1	
11	JZ 5512 10	Bush gear 2nd driven	-	1	
12	JZ 5512 11	Gear 5th driven	-	1	
13	JE 5512 06	Gear 3rd driven	-	1	
	JE 5512 10	Gear 3rd driven	-	1	For CBS Model
14	JE 5512 16	Gear 4th driven	-	1	
	JH 5512 11	Gear 4th driven	-	1	For CBS Model
15	JZ 5512 05	Bush 1st driven	-	1	
16	JE 5512 15	Gear 1st driven	-	1	
17	JA 5510 08	Washer thrust (12.2 x 27 x 1)	-	1	
18	JA 5510 09	Collar sprocket drive	-	1	
19	59 2100 24	O-ring 13.8*1.9	-	1	
20	JZ 5510 04	Sprocket output	-	1	
21	DU 1012 13	Plate lock sprocket output	-	1	
22	DS 1013 55	Hex. Socket head bolt	-	2	

Change Drum & Shift Fork



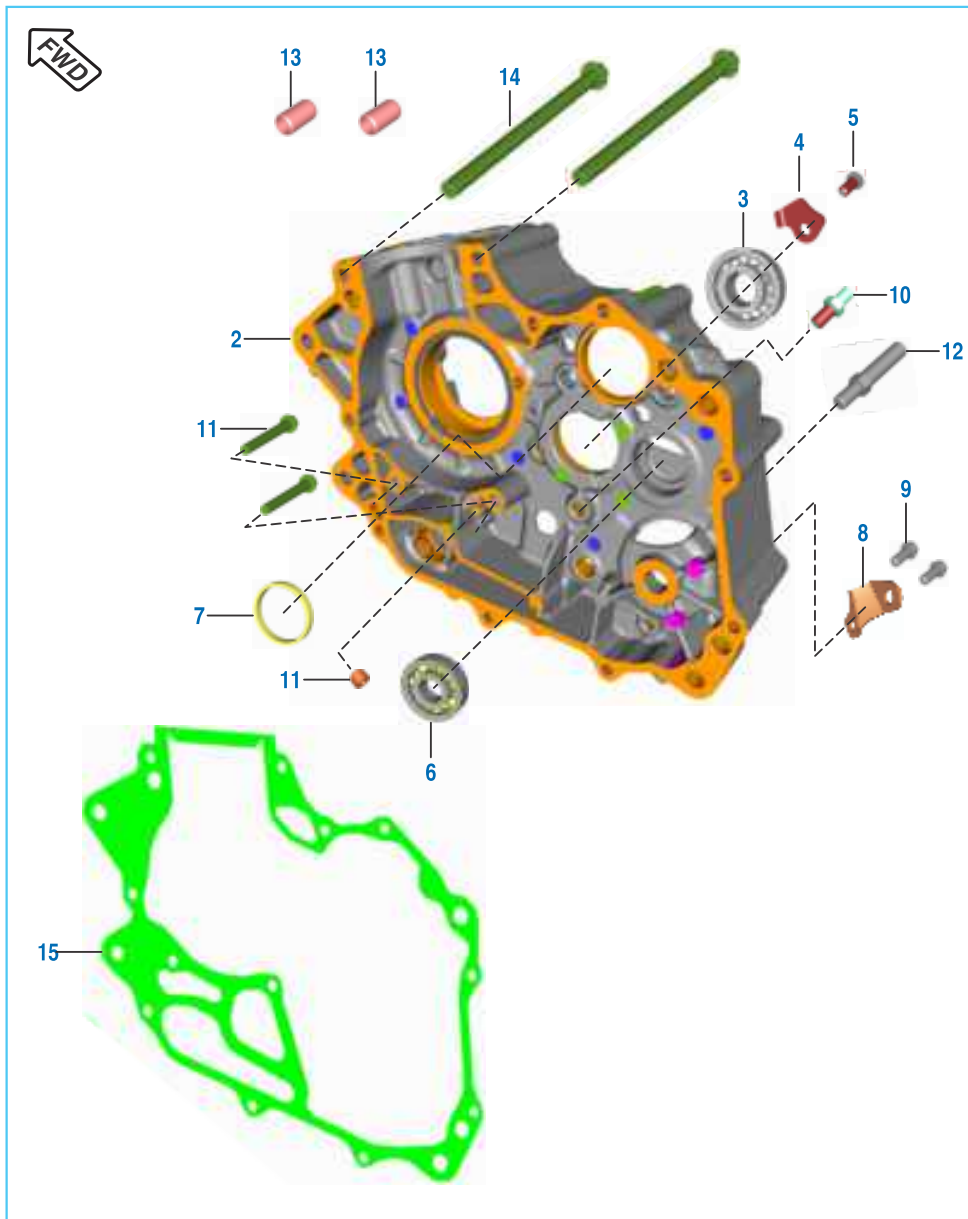
No.	Part No.	Description	Discover		Remarks
			110	125UG	
1	PA 5610 05	Drum comp gear shift	1	--	
	JE 5610 06	Drum comp gear shift	--	1	
2	39 0992 06	Dowel	5	4	
3	JA 5610 02	Cam drum change	1	--	
	JE 5610 05	Cam drum change	--	1	
4	JD 5610 11	Special bolt drum change m6x1	1	1	
5	PF 5610 02	Shaft fork shift	2	--	
	JD 5610 06	Shaft gear fork shift	--	2	
6	JD 5610 04	Fork gear shift output	1	1	
7	JZ 5610 02	Fork gear shift input	1	1	

Gear Change Mechanism



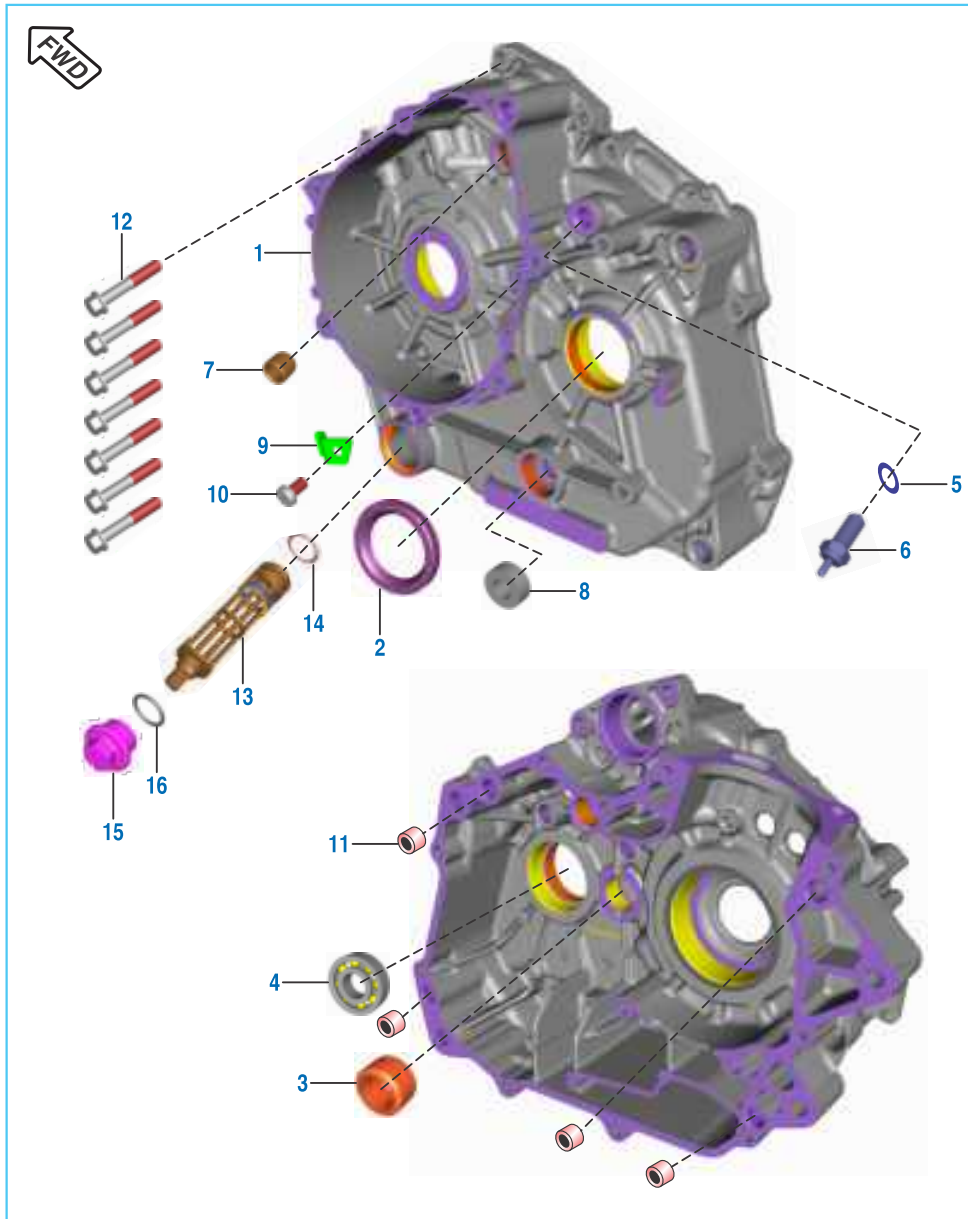
No.	Part No.	Description	Discover		Remarks
			110	125UG	
1	PF 5612 00	Lever gear shift comp	1	--	For CBS Model
	52 JZ02 64	Lever comp gear shift	--	1	
	JK 5612 00	Lever comp gear shift	--	1	
2	JW 5612 06	Extension spring	1	1	
	JW 5612 08	Spring gear shift return	1	--	
3	JE 5612 00	Spring gear shift return	--	1	
	JH 5612 00	Inhibitor gearshift	1	--	
4	PA 5612 09	Inhibitor comp	--	1	
	PF 5612 03	Spring inhibitor	1	--	
5	JD 5612 04	Spring inhibitor	--	1	
	LD B000 44	Washer plain - id6 x od18 x thk1.5	1	1	
6	BF 5612 19	Bolt detent lever	1	1	
7	JH 5614 02	Assembly gear shft lever	1	--	
8	JH 5612 12	Lever assembly gear change	--	1	
8A	JH 5614 04	Rubber damper	1	1	
9	DH 1015 09	Damper	1	1	
10	JH 5614 09	Rod Tie	--	1	
11	JH 5612 13	Arm Lever Change	--	1	
12	JD 5614 16	Washer - Nylon	--	1	
13	KH AA20 15	Pin Cotter	--	2	
14	JL 5614 09	Bolt gear change lever	--	1	
15	KA DD06 22	Bolt flanged	1	1	
16	01 1009 05	Ring O	--	2	
17	JL 5614 10	Washer - steel	--	1	
18					

Engine Assembly & Crankcase RH



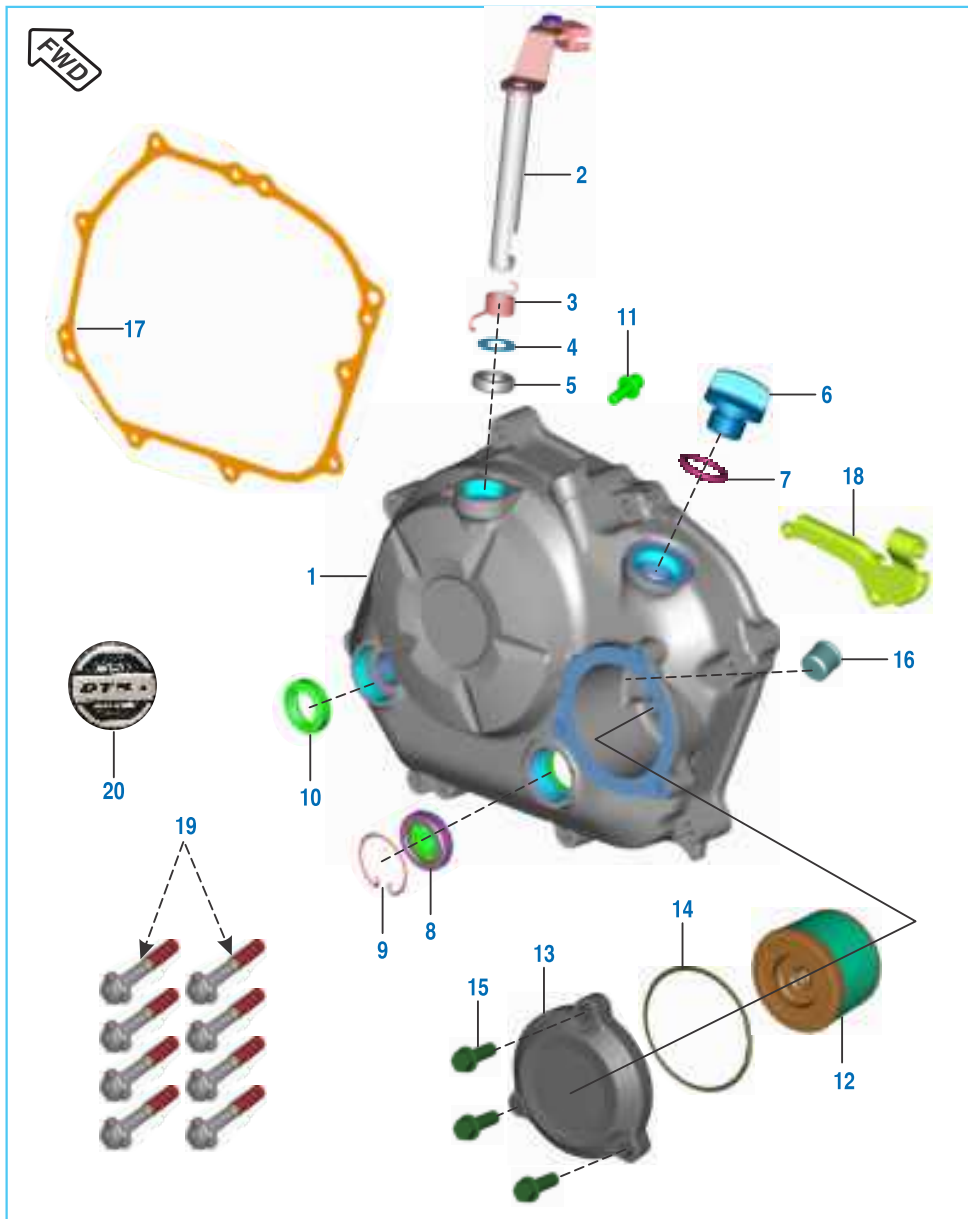
No.	Part No.	Description	Discover		Remarks
			110	125UG	
1	JB 5010 17	Engine assembly	1	--	N.I.
	JZ 5010 24	Engine assembly	--	1	N.I.
2	36 PA02 10	Assembly crankcase RH	1	--	
	36 PA02 11	Crankcase assembly RH	--	1	
3	59 2000 36	6203 HN3 C3 ball bearing	1	1	
4	JA 5410 10	Stopper plate input bearing	1	1	
5	DH 1013 80	Screw pan head (M6 x 12)	1	1	
6	KP BF62 01	Bearing ball C3 clearances	1	1	
	KP BF62 03	Bearing ball C3 clearance - HN3	1	1	For CBS Model
7	PF 5410 18	Bushing drum	1	1	
8	JA 5410 12	Guide kick	1	1	
9	DH 1016 39	Lock screw earthing	2	2	
10	52 JA00 29	Bolt shift change	1	1	
	JA 5410 14	Bolt shift change	--	1	For CBS Model
11	KA EF06 50	Bolt Flange ST-F Dia - 06 L - 50	2	2	
12	JE 5410 28	Pin	1	1	
13	39 0999 06	Pin dowel - oil pump	2	2	
14	KA ED06 85	Bolt flanged small	2	2	
15	JH 5410 15	Gasket crankcase	--	1	

Crankcase LH



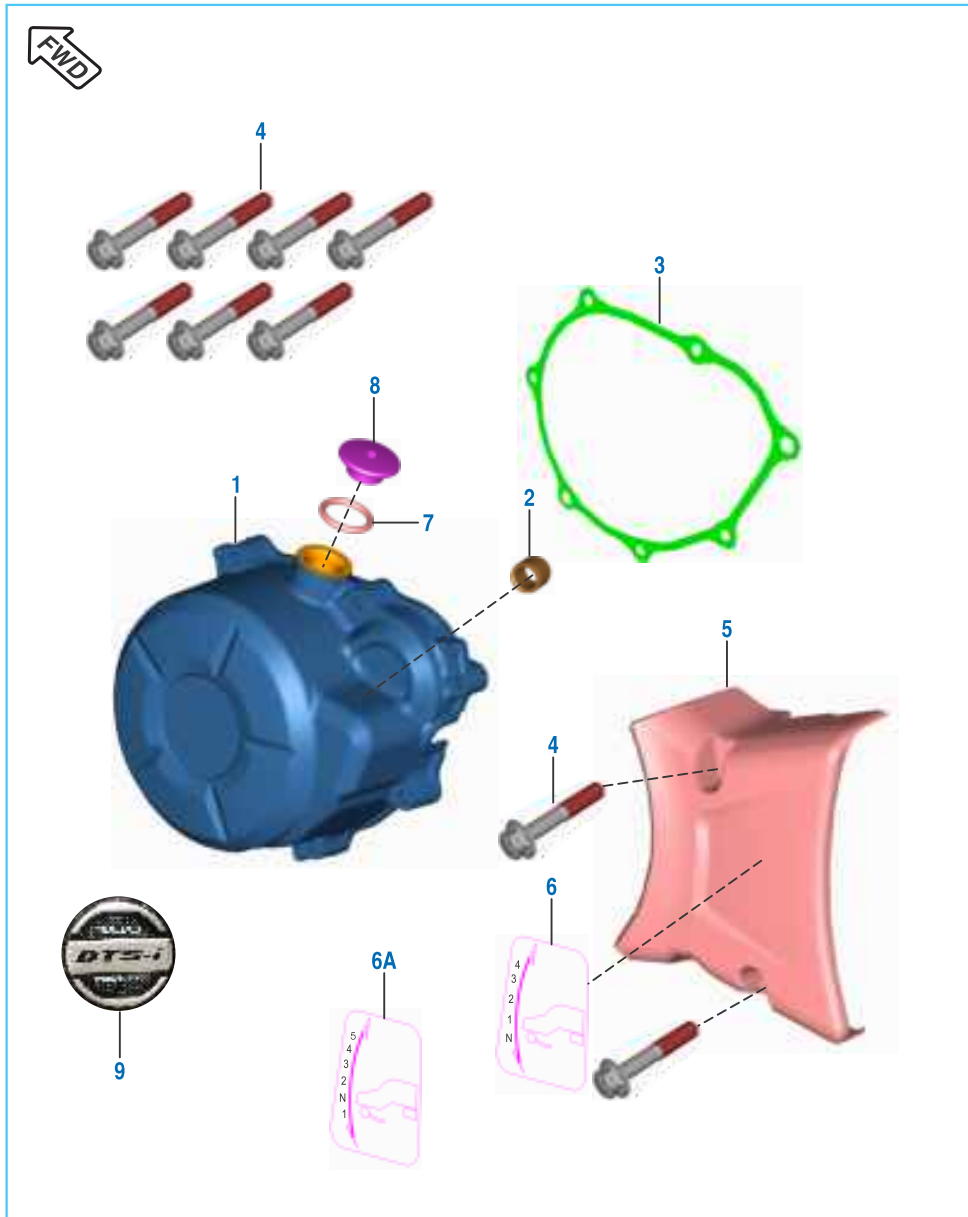
No.	Part No.	Description	Discover		Remarks
			110	125UG	
1	PF 5410 29	Assembly crankcase LH	1	--	
	36 PF01 28	Crankcase assembly LH	-	1	
2	39 1715 19	Oil seal 22 x 35 x 7	1	1	
3	39 2562 20	Needle roller bearing	1	1	
4	59 2000 36	6203 HN3 C3 ball bearing	1	1	
5	DH 1017 84	Gasket neutral switch (T1.5)	1	1	
6	31 2010 81	Switch complete	1	1	
7	JA 5410 05	Bush bendix	1	1	
8	39 2190 19	Oil seal	1	1	
9	JH 5410 21	Bracket gear stopper	1	1	
10	DH 1013 80	Screw pan head (M6 x 12)	1	1	
11	39 1000 06	Hollow dowel pin	4	2	
12	59 0400 38	Flange bolt	7	7	
	JV 5410 07	Bolt flanged - M6 x 1 x L35	-	7	For CBS Model
13	JG 5710 24	Mesh oil filter assy	1	1	
14	LJ A000 04	Strainer o ring	1	1	
15	JA 5410 21	Cap strainer	1	1	
16	59 2100 23	O-ring	1	1	

Cover Clutch



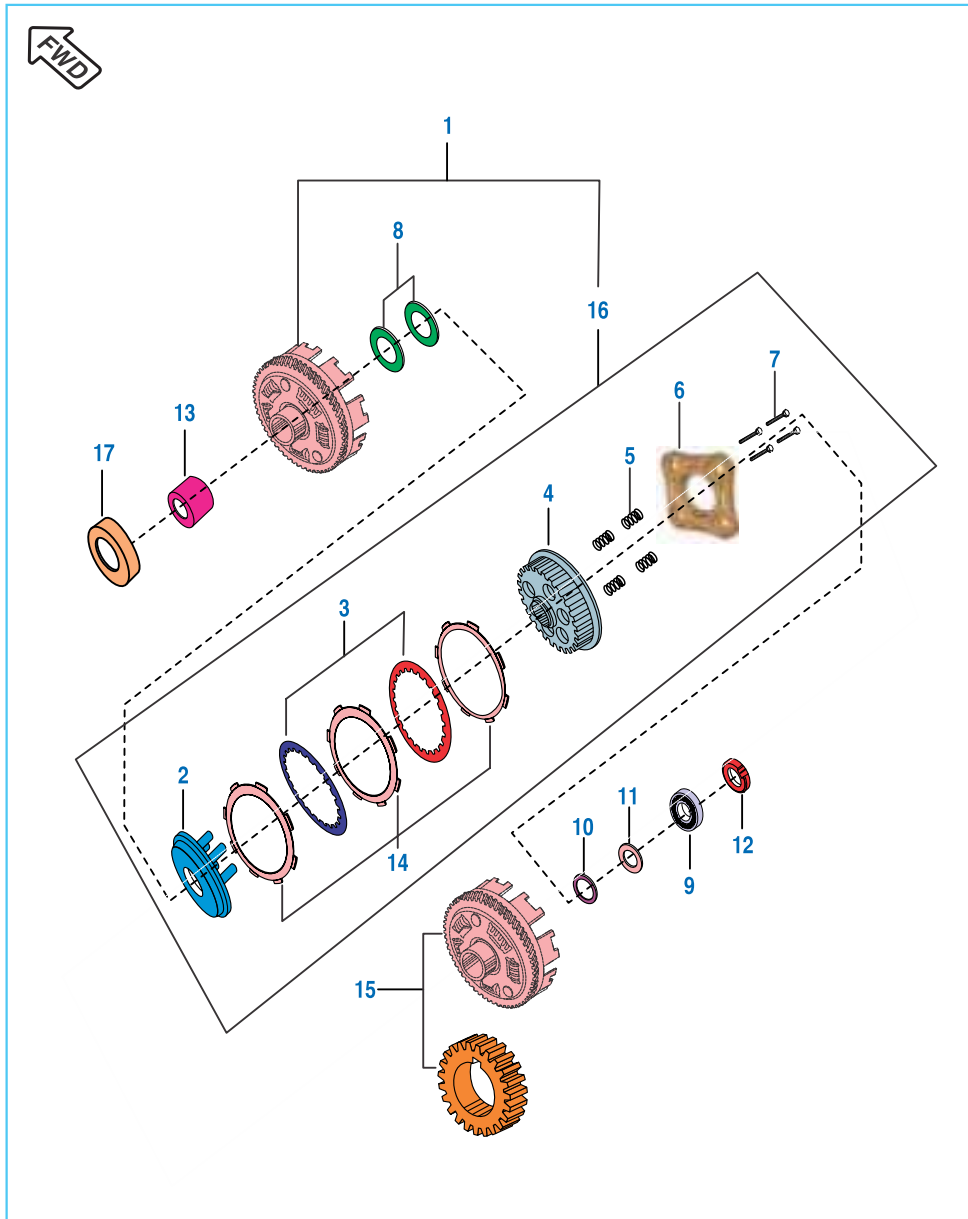
No.	Part No.	Description	Discover		Remarks
			110	125UG	
1	36 JB40 31	Kit assly clutch cover	1	--	
	36 JZ01 86	Kit assly clutch cover	--	1	
2	JV 5412 08	Shaft clutch release assy	1	--	
	JE 5412 88	Shaft assembly clutch	--	1	
3	JH 5412 10	Spring clutch release shaft	1	1	
4	39 2443 11	Washer (12.5*24*0.8)	1	1	
	JE 5412 13	Washer (12.5*24*0.8)	1	1	For CBS Model
5	39 1041 19	Seal oil	1	1	
6	JA 5412 11	Cap oil filler	1	1	
7	JA 5412 25	O ring cap oil filler	1	1	
8	JL 5412 27	Window oil guage	1	1	
9	DS 1012 15	Wire circlip	1	1	
10	30 1011 42	Seal oil	1	1	
11	PF 5514 07	Rod push	1	1	
12	DD 1211 81	Element oil filter	1	1	
13	56 PA4A 3V	Cap filter Slate Gray	1	--	
	56 JZ4A 3V	Cap filter Slate Gray	--	1	
	PF 5412 54	Cap filter	--	1	For CBS Model
14	39 1671 21	O-ring, id 59.6*2.4	1	1	
15	LA E000 05	Bolt flanged - M6 x 1 x L20	3	3	
16	JE 5412 45	Jet clutch cover	--	1	
	JB 5412 01	Jet clutch cover	1	--	
17	JA 5412 12	Gasket clutch cover	1	1	
18	PF 5412 55	Bracket clutch cable	1	--	
	JE 5412 91	Bracket cable clutch	--	1	
19	59 0400 38	Flange bolt	8	8	
	JV 5410 07	Bolt flanged - M6 x 1 x L35	--	8	For CBS Model
20	JE 5412 11	Decal clutch cover	1	1	

Cover Magneto



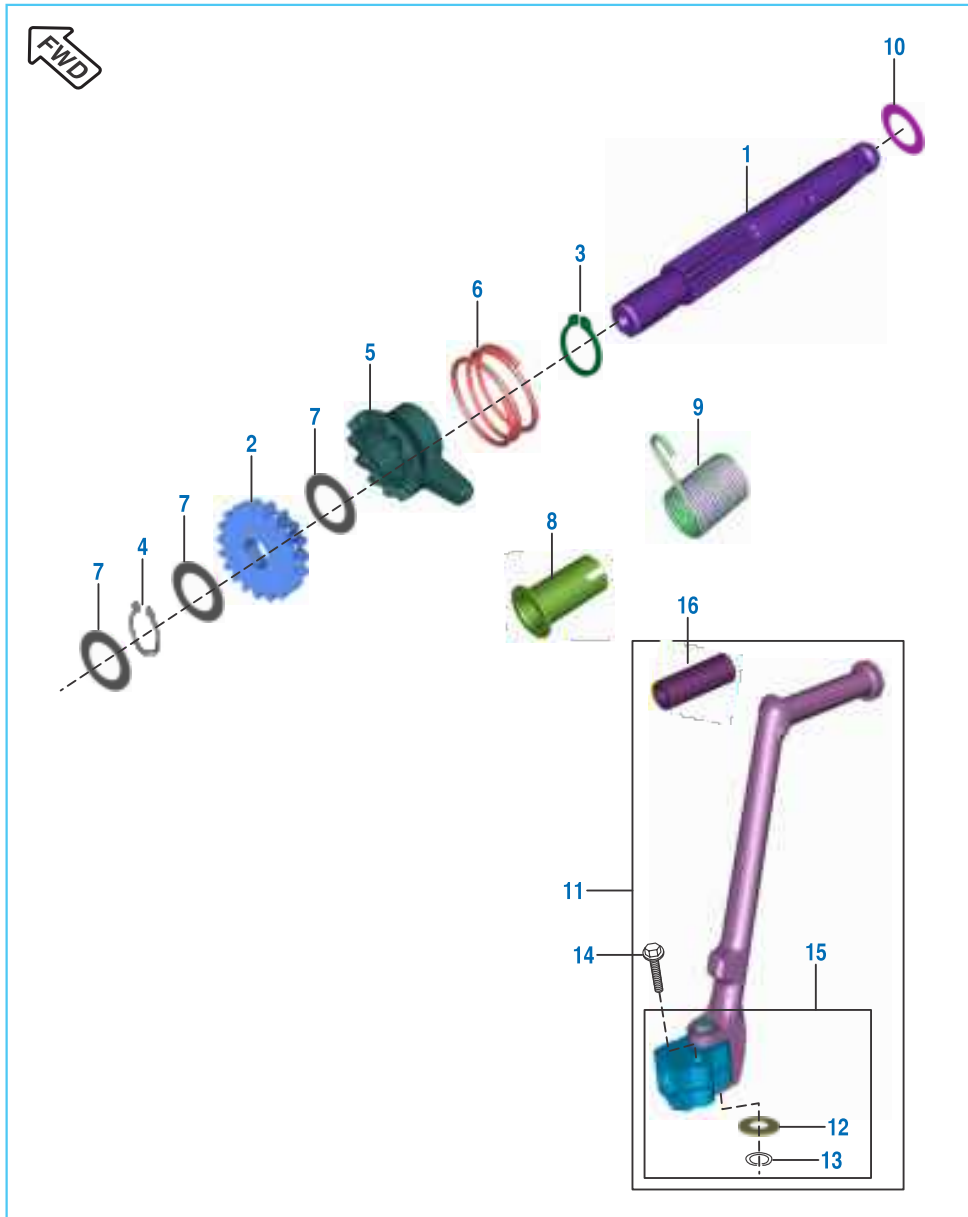
No.	Part No.	Description	Discover		Remarks
			110	125UG	
1	52 JZ18 41	Assembly magneto cover	1	1	
2	JA 5410 05	Bush bendix	1	1	
3	PF 5412 40	Gasket magneto cover	1	1	
	JB 5412 24	Gasket magneto cover	1	1	EC - 10.05.2018
4	59 0400 38	Bolt flanged - M6 x 1 x L35	9	9	
	JV 5410 07	Bolt flanged - M6 x 1 x L35	-	9	For CBS Model
5	JB 5412 18	Cover rear assembly	1	--	
	JZ 5412 55	Cover assembly rear	-	1	
6	PA 5412 13	Label gear shift	1	--	
6A	DJ 1612 28	Gear shift label	-	1	
7	30 1011 95	'O' Ring (15.8 x 2.4)	1	1	
8	JA 5412 33	Cap TDC Finder	1	1	
9	JE 5412 12	Decal magneto cover	1	1	

Clutch Assembly



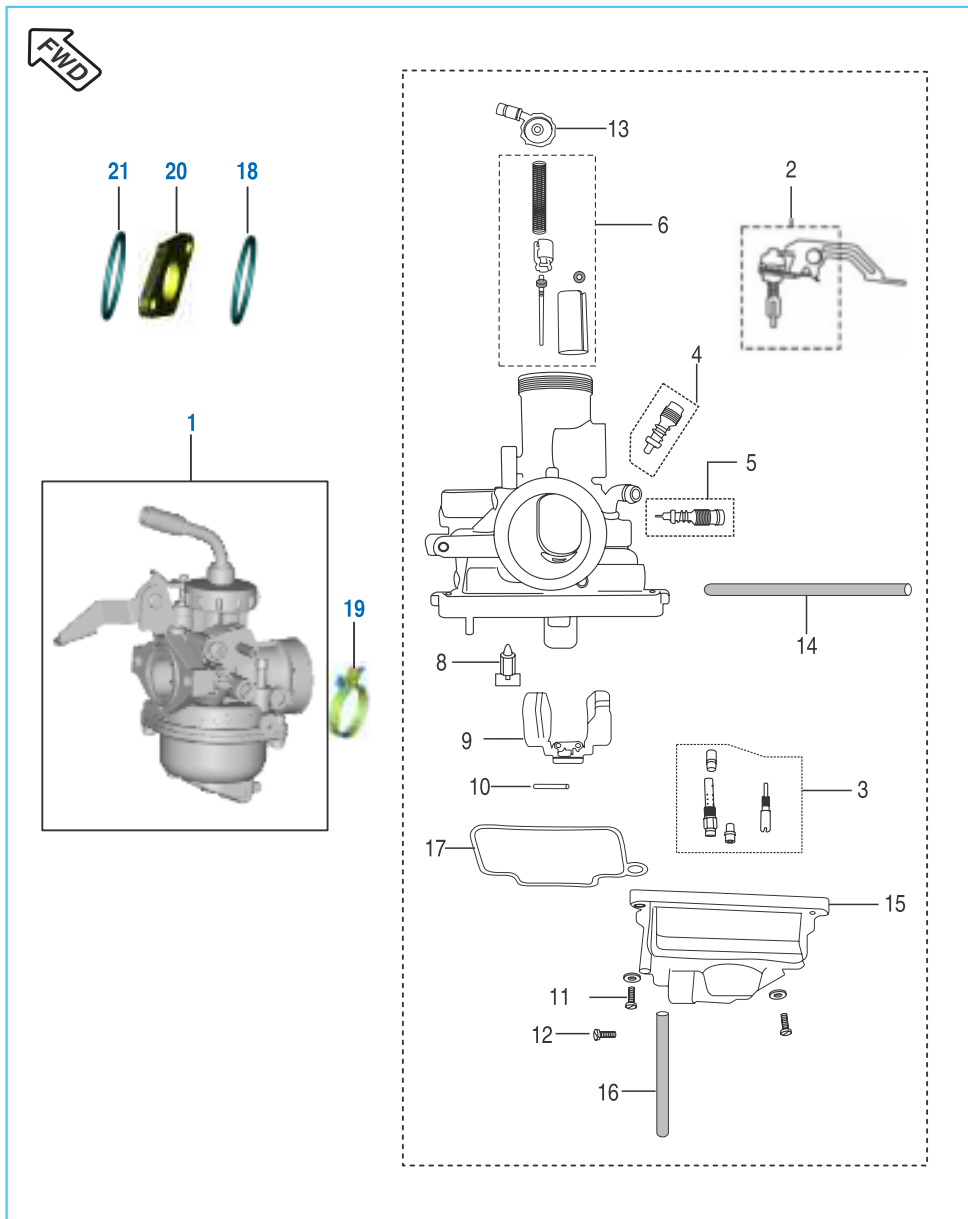
No.	Part No.	Description	Discover		Remarks
			110	125UG	
1	PF 5514 30	Clutch assembly	1	1	
2	PF 5514 36	Wheel clutch	1	1	
3	36 JZ01 99	Plate clutch	1	1	
4	PF 5514 33	Hub clutch	1	1	
5	PF 5514 37	Spring compression	4	4	
6	PF 5514 38	Holder clutch	1	1	
7	39 1553 04	Flange bolt (m5x0.8)	4	4	
8	39 2600 11	Washer	2	2	
9	39 1001 20	Bearing ball	1	1	
10	JA 5514 20	Washer plain	1	1	
11	JE 5514 09	Washer belleville	1	1	
12	52 JA00 28	Nut round - M14 x 1-LH thread	1	1	
	JA 5310 07	Nut round - M14 x 1-LH thread	-	1	For CBS Model
13	JA 5514 06	Collar clutch	1	1	
14	36 JZ01 98	Plate friction	1	1	
15	36 JZ01 84	Kit primary drive & driven	1	1	
16	PF 5514 32	Plate Assembly Clutch	1	1	
17	JD 5514 00	spacer clutch assembly	-	1	

Kick Starter Mechanism



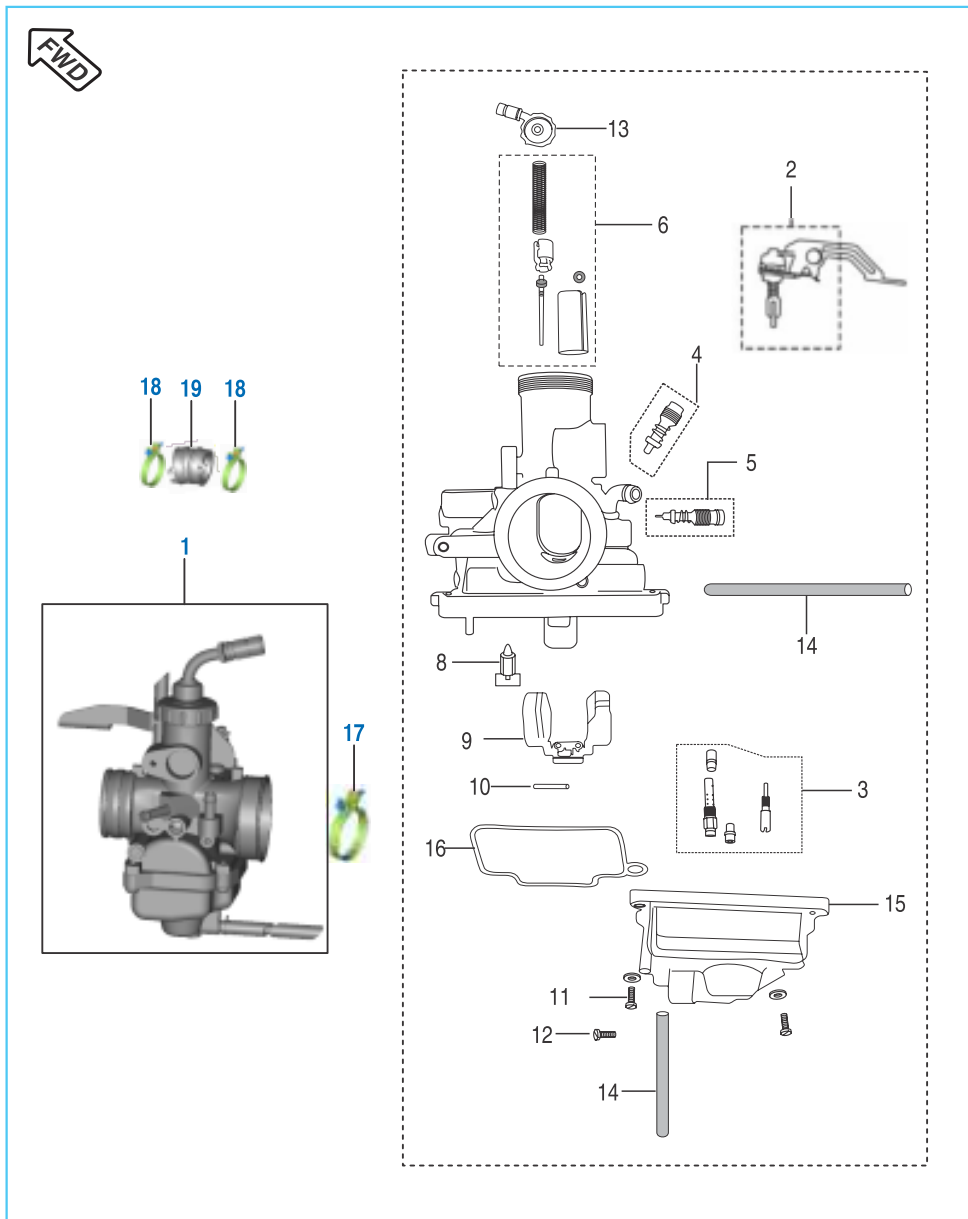
No.	Part No.	Description	Discover		Remarks
			110	125UG	
1	PF 6210 03	Kick shaft	1	--	
	PA 6210 07	Shaft kick	--	1	
2	PA 6210 05	Gear kick pinion	1	--	
	PA 6210 08	Gear kick pinion	--	1	
3	39 2408 17	External circlip	1	1	
4	39 0738 17	Extrn circlip type c	1	1	
5	JA 6210 02	Ratchet	1	1	
6	DS 1011 17	Spring kick starter ratchet	1	1	
7	39 0993 11	Plain washer	3	3	
8	JE 6210 04	Sleeve	1	1	
9	JE 6210 03	Spring	1	1	
10	JA 6210 06	Washer thrust (16.2 x 25 x 0.5)	1	1	
11	JA 6212 01	Assembly kick lever	1	--	
	PA 6212 03	Assembly kick lever	--	1	
12	22 1502 41	Washer - plain	1	1	
13	39 0855 17	E-type circlip	1	1	
14	59 0400 25	Bolt flange	1	1	
15	36 DU10 07	Boss kick set	1	--	
	36 JH00 09	Boss kick set	--	1	
16	DD 1010 97	Damper	1	1	

Carburettor Assembly (Discover 110)



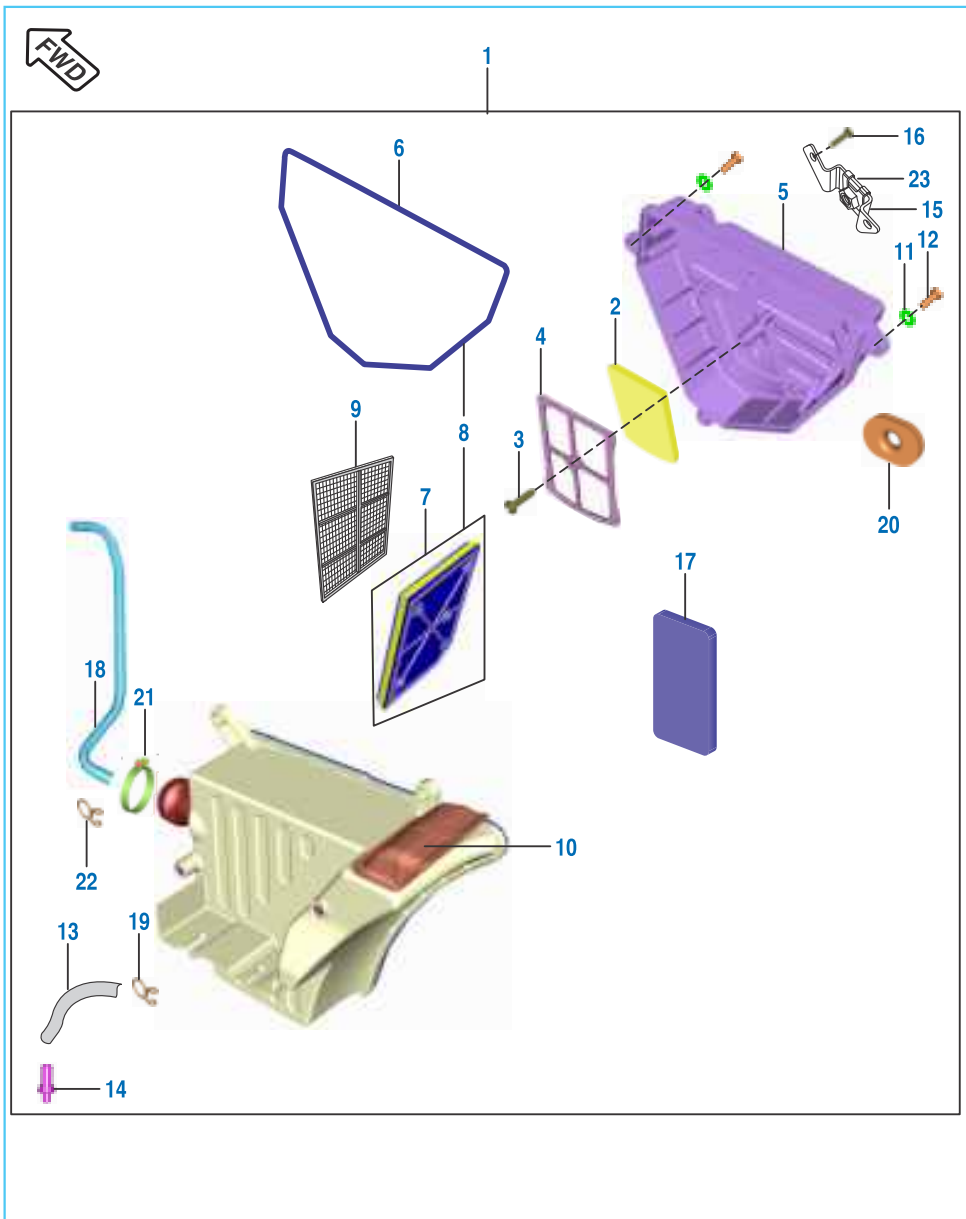
No.	Part No.	Description	Discover		Remarks
			110	125UG	
1	JB 5812 89	Carburettor	1	--	
2	36 PA01 94	Plunger Assembly with lever	1	--	
3	36 PA01 92	Kit Carb Jet	1	--	
4	36 PA01 90	Kit Carb Air Screw / Slow Jet	1	--	
5	36 PA00 13	Kit Carb Idling Screw	1	--	
6	36 PA01 89	Kit Carb Throttle Valve	1	--	
7	36 PA01 91	Kit O Ring & Gasket	1	--	N.I.
8	JB 5812 29	Valve Comp Float	1	--	
9	JB 5812 30	Float	1	--	
10	JB 5812 56	Arm Pin Float	1	--	
11	PA 5812 21	Screw Float Chamber	2	--	
12	JB 5812 60	Drain Screw	1	--	
13	36 PA01 86	Kit Top Cap	1	--	
14	PF 5812 37	Tube Air Vent	1	--	
15	36 PA0 193	Float Chamber Kit	1	--	
16	JB 5812 57	Tube Overflow	1	--	
17	PA 5812 20	Gasket Float chamber	1	--	
18	39 1283 21	O Ring	1	1	For CBS Model
19	JH 5812 02	Clamp carb sleeve dia 44	1	--	
20	PA 5812 24	Insulator carb pte	1	--	
21	JB 5812 72	Seal o ring insulator disco - m	1	--	

Carburettor Assembly (Discover 125 UG)



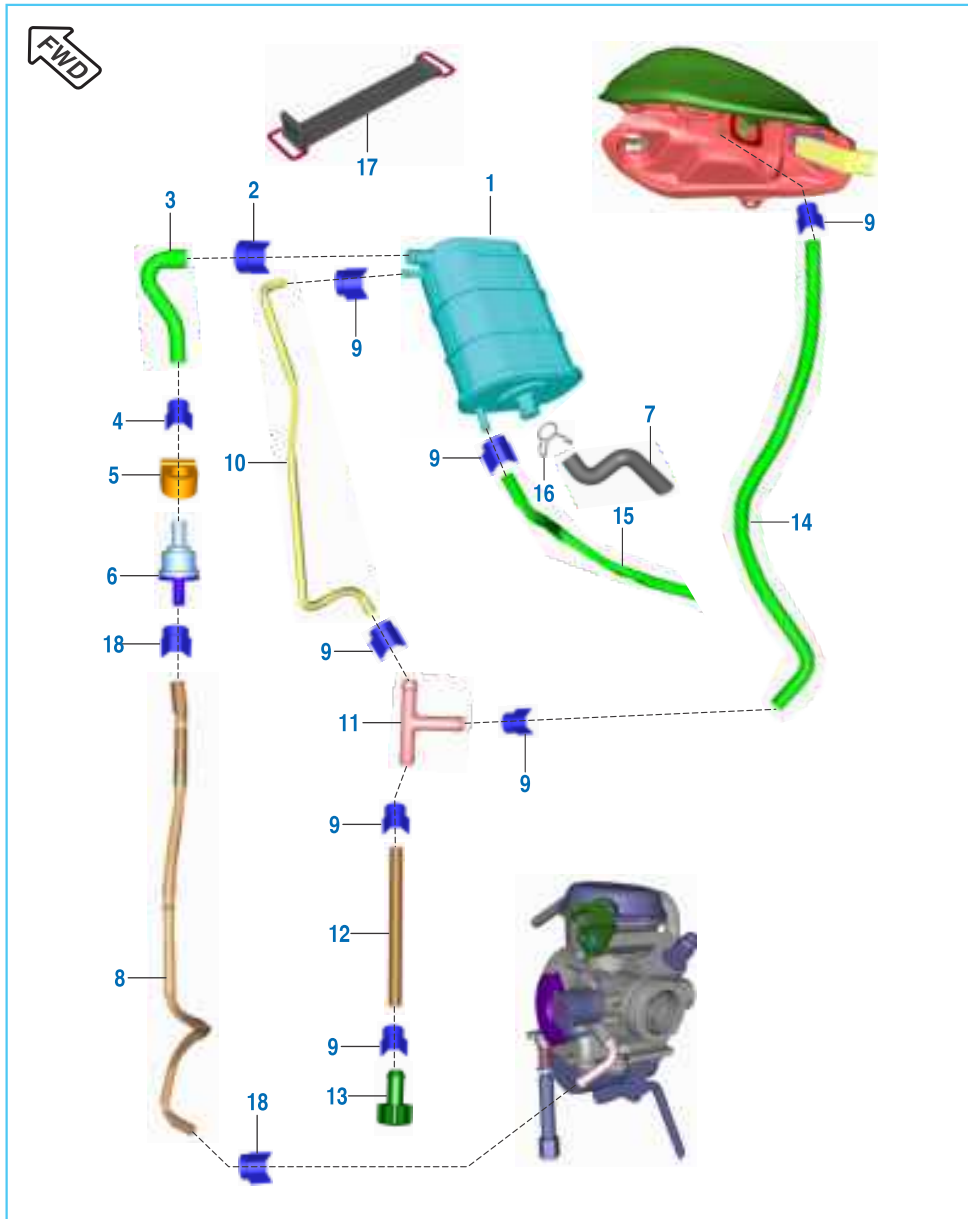
No.	Part No.	Description	Discover		Remarks
			110	125UG	
1	JZ 5812 46	Carburettor	-	1	
2	36 JZ01 96	Plunger Assembly with lever	-	1	
3	36 JZ01 89	Kit Carb Jet	-	1	
4	36 JZ01 88	Kit Carb Air Screw / Slow Jet	-	1	
5	36 JZ00 16	Kit Carb Idling Screw	-	1	
6	36 JZ01 87	Kit Carb Throttle Valve	-	1	
7	36 JZ01 91	Kit O Ring & Gasket	-	1	N.I.
8	JA 5812 21	Valve Comp Float	-	1	
9	24 1213 65	Float	-	1	
10	JB 5812 56	Arm Pin Float	-	1	
11	DK 1211 06	Screw Float Chamber	-	4	
12	JA 5812 14	Drain Screw	-	1	
13	36 JZ01 92	Kit Top Cap	-	1	
14	DK 1210 65	Tube Air Vent / Drain	-	2	
15	36 JZ01 90	Float Chamber Kit	-	1	
16	JA 5812 32	Gasket Float chamber	-	1	
17	JG 5810 62	Clamp Connecting Tube	-	1	
18	JF 5812 08	Clamp carburettor side	-	2	
19	JZ 5812 10	Sleeve carb	-	1	

Air Cleaner Complete



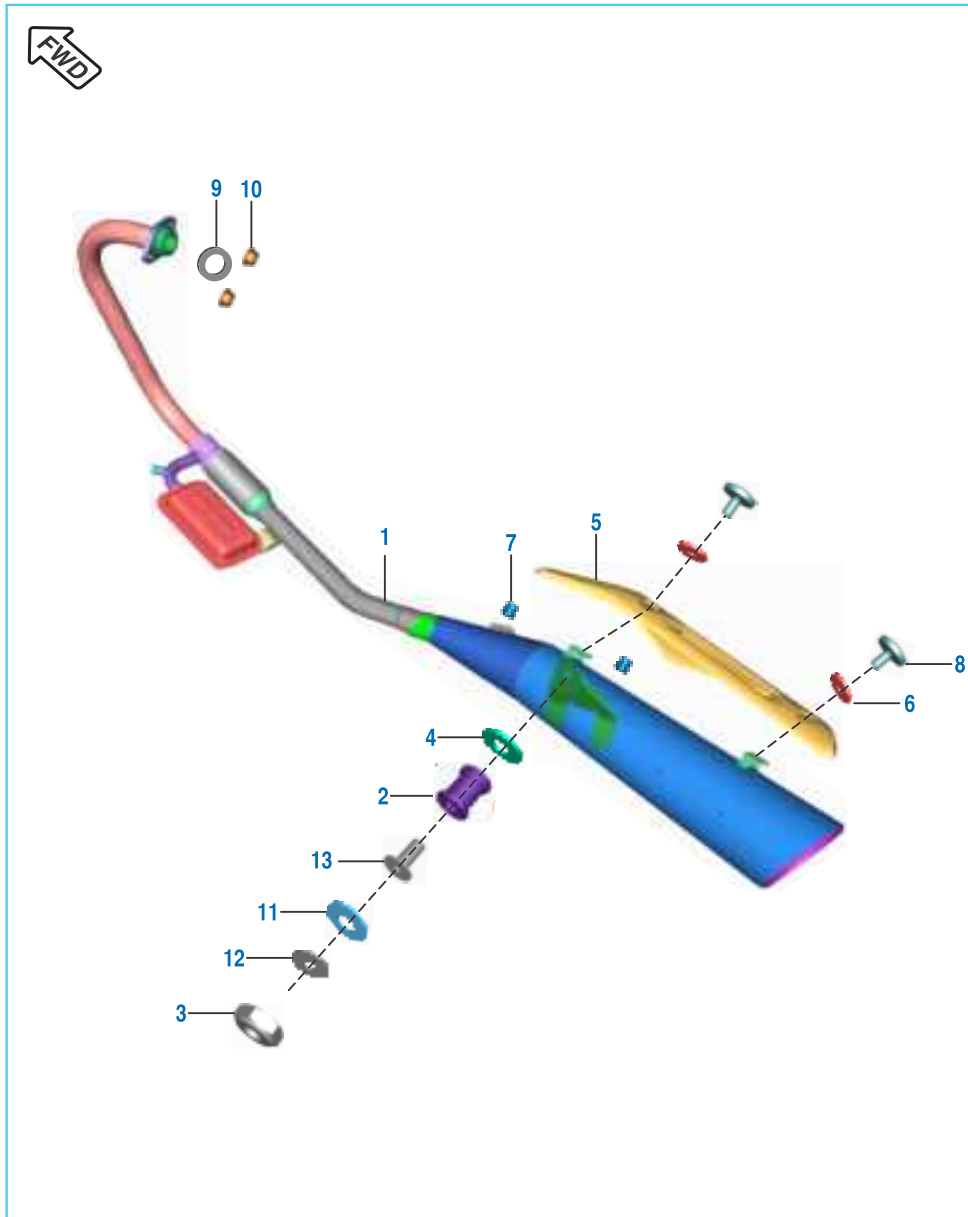
No.	Part No.	Description	Discover		Remarks
			110	125UG	
1	JB 5810 36	Assembly air filter	1	--	
	JZ 5810 59	Filter assembly air	--	1	
2	JH 5826 02	Foam element SAI	1	1	
3	KB RA42 19	Screw tapping pan cross	1	1	
4	JH 5826 01	Plate supporting SAI	1	1	
5	JB 5810 41	Cover filter air	1	1	
6	JZ 5810 29	Seal o-ring air filter disco-h	1	1	
7	JZ 5810 10	Assembly cartridge vm22 disco-h	1	1	
8	36 JZ02 08	Kit air filter element & cover O ring	1	1	
	JZ 5810 11	Foam filter air	--	1	For CBS Model
9	DX 1210 11	Arrester complete flame	1	1	
10	DS 1211 16	Duct	1	1	
11	39 1765 11	Washer - plain	3	3	
12	39 0071 04	Hex head screw - M5	3	3	
13	JZ 5810 12	Hose drain A/F VM22 Disco - H	1	1	
14	DS 1211 26	Plug	1	1	
15	DS 1610 69	Bkt. Side cover mtg.	1	1	
16	39 1779 02	Self tapping screw	2	2	
17	DJ 1610 06	Pad I batt. Bkt.	1	1	
18	JB 5810 37	Tube breather	1	--	
	JZ 5810 04	Hose breather	--	1	
19	DS 1012 34	Spring clip	1	--	
	DG 1210 02	Clamp (Hose c'case breather)	--	1	
20	DS 1410 12	Grommet side cover fr	1	1	
21	JG 5810 62	Clamp connecting tube	--	1	
22	28 1011 74	Spring clip	--	1	
23	DS 1610 35	Clip nut	--	1	

EVAP Mechanism



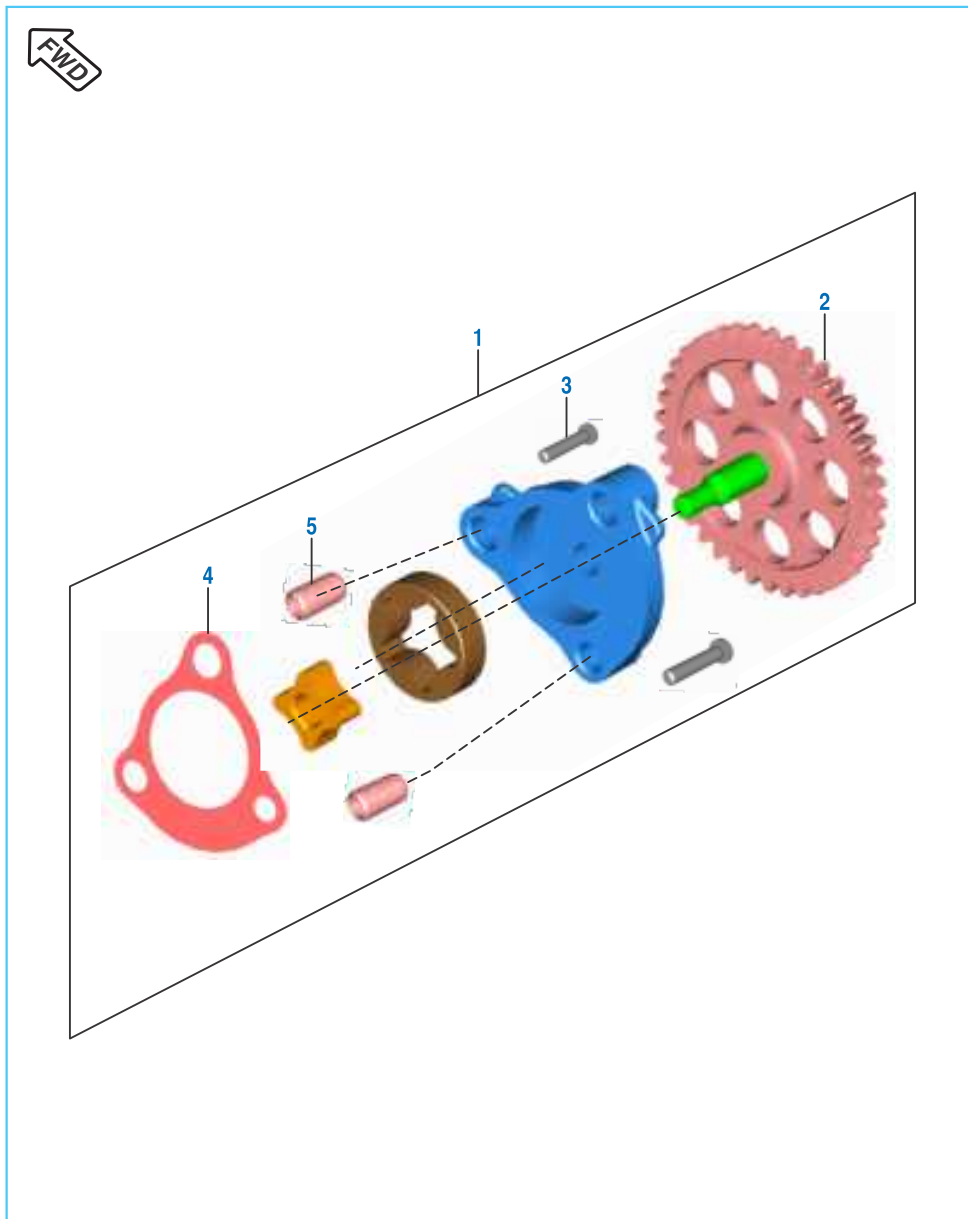
No.	Part No.	Description	Discover		Remarks
			110	125UG	
1	JY 1710 77	Canister	1	1	
2	JY 1710 69	Spring Band Clamp 15 x 10	1	1	
3	PA 1716 10	Tube canister to purge	1	1	
4	JY 1710 90	Spring Band Clamp 13 x 12	1	1	
5	JH 1710 48	Grommet Purge Valve	1	1	
6	PD 1716 16	Valve Purge	1	1	
7	PA 1716 11	Tube Breather Canister	1	1	
8	PA 1716 07	Tube Purge Valve To Carburator	1	1	
9	JY 1710 70	Spring Band Clamp 9 x 8.4	7	7	
10	PA 1716 05	Tube T Connector To Canister	1	1	
11	GL 1710 36	Connect. For Breather & Vapor Tube	1	1	
12	PA 1718 08	Tube T to Drain	1	1	
13	JY 1718 25	Plug Fuel Drain	1	1	
14	PA 1718 10	Tube Tank To T Connector	1	1	
15	PA 1716 09	Tube Canister Drain	1	1	
16	DG 1210 40	Clamp	1	1	
17	DH 1614 29	Strap Canister	1	1	
	JA 4018 01	Strap	-	1	For CBS Model
18	JG 1710 29	Spring band clamp 11.5 x 8.4	2	2	

Silencer Assembly



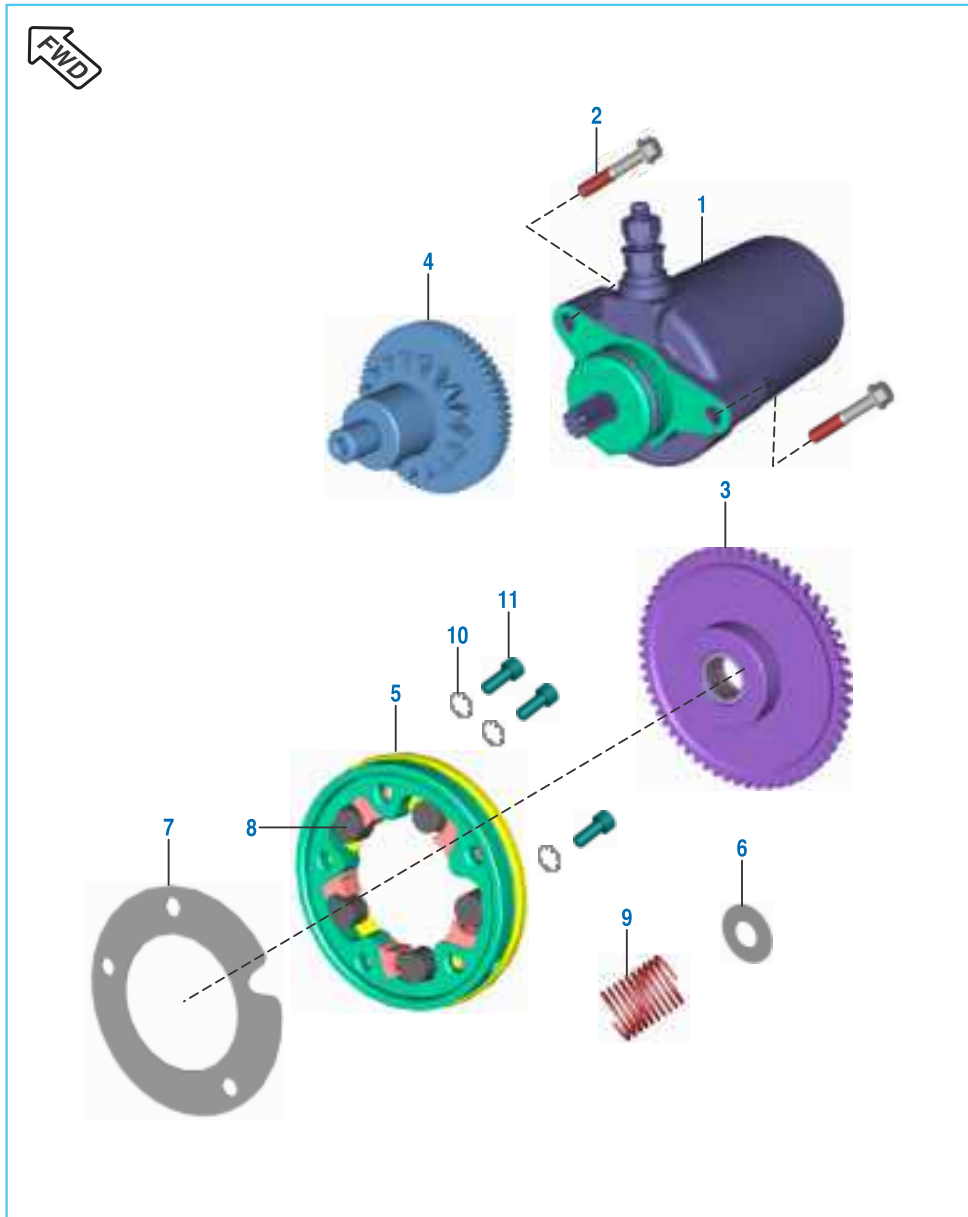
No.	Part No.	Description	Discover		Remarks
			110	125UG	
1	YP A260 09	Silencer assy Without shield	1	--	
	YJ Z400 01	Silencer assy Without shield	--	1	
2	JZ 1130 42	Damper silencer	1	1	
	JZ 1130 45	Grommet	1	1	
3	DD 1610 71	U-nut m10x1.25	1	1	
4	39 2492 11	Plain washer	1	1	
5	JB 5910 80	Shield muffler	1	1	
6	JB 5910 68	Washer nylon shield silencer	2	2	
7	JB 5910 59	Damper shield muffler disco-m	2	2	
8	JW 5910 28	Truss screw M5 x 0.8	2	2	
9	JE 5910 02	Gasket exhaust	1	1	
10	39 2295 15	Nut flanged	2	2	
11	39 1054 11	Plain washer	1	1	
12	39 2425 11	Plain washer	1	1	
13	DJ 1612 78	Tube silencer with washer	1	1	
	JZ 1130 93	Collar	1	1	

Oil Pump



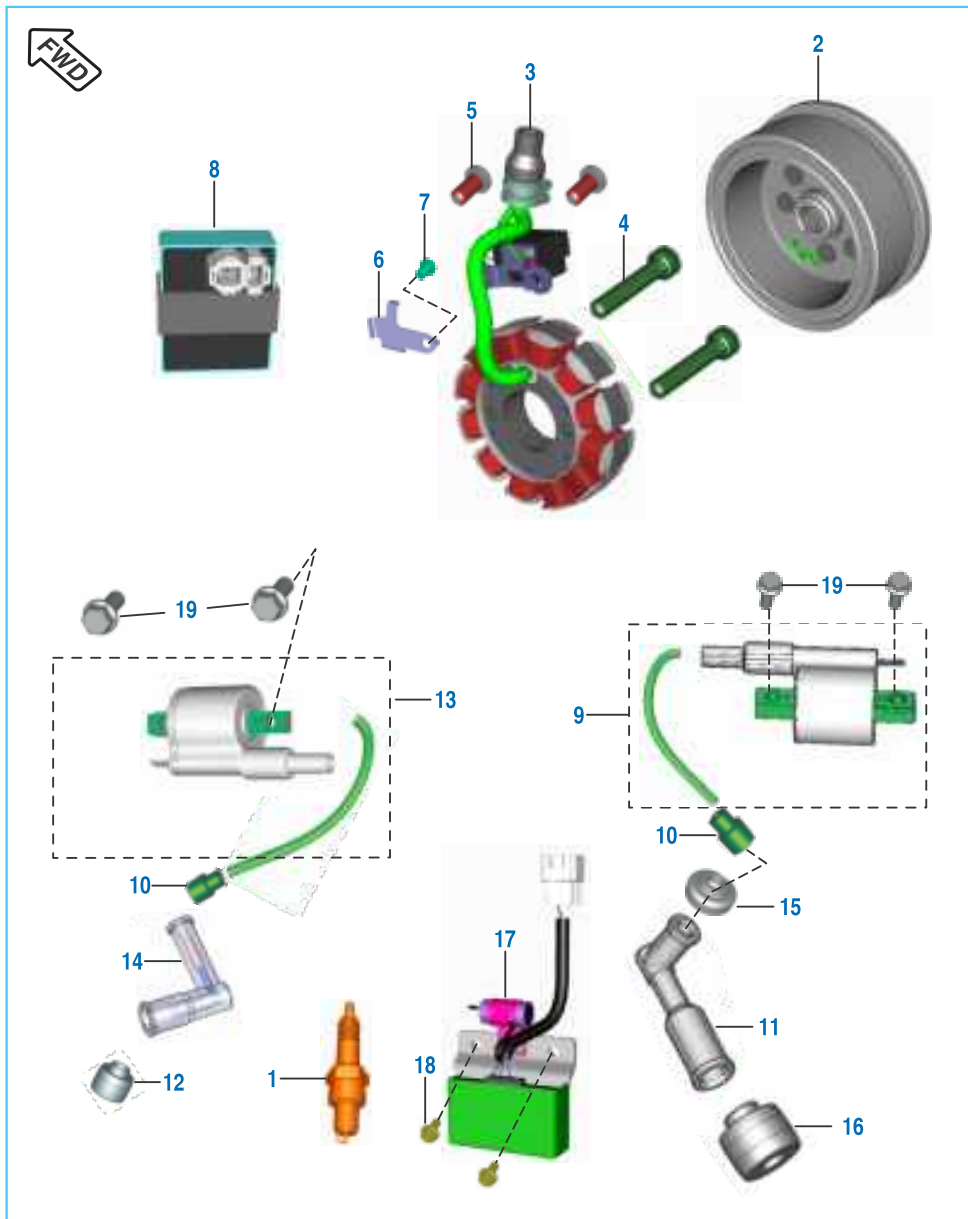
No.	Part No.	Description	Discover		Remarks
			110	125UG	
1	JB 5710 05	Assembly oil pump	1	--	
	JZ 5710 00	Assembly oil pump	--	1	
2	JB 5710 06	Gear oil pump	1	--	
	JZ 5710 01	Gear oil pump	--	1	
3	FD 1010 78	Pan head screw, M6 x 1 x 30L	3	3	
4	JA 5410 16	Gasket case oil pump	1	1	
5	39 0999 06	Pin dowel - oil pump	2	2	

Starter Assembly



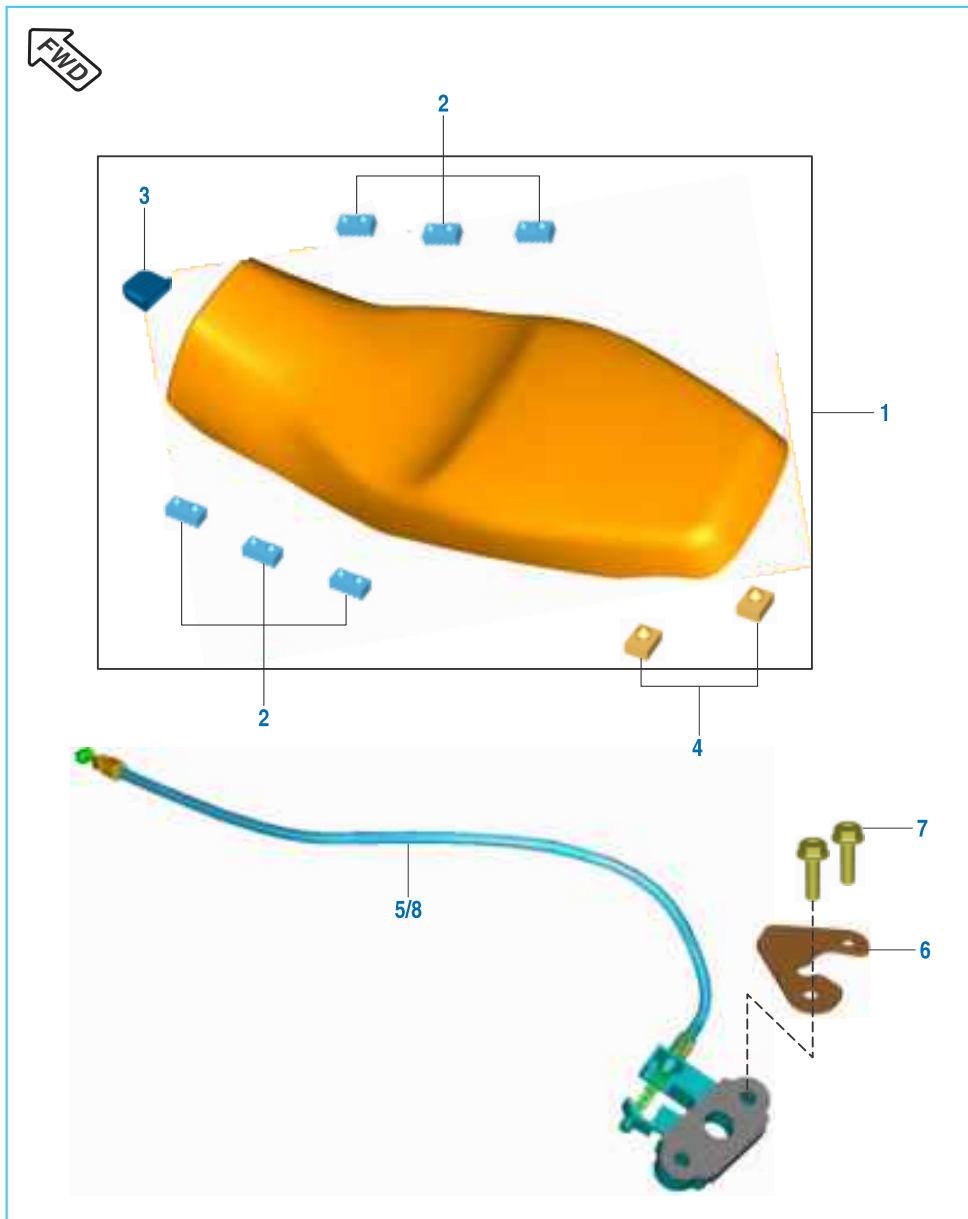
No.	Part No.	Description	Discover		Remarks
			110	125UG	
1	PF 3516 02	Motor assembly starter	1	1	
	JH 3516 02	Motor assembly starter	1	1	
2	KA ED06 25	Bolt flange M6 x 1 x 25L	2	2	
3	PF 6214 03	Assembly gear starter	1	1	
	PF 6214 13	Gear assembly clutch starter	1	-	
4	PF 6214 00	Starter drive assembly	1	1	From 26.09.2018
	JH 6214 07	Starter drive assembly	1	1	
5	36 DK00 76	Body complete starter clutch	1	1	
6	59 1000 02	Spring dowel sleeve	1	1	
7	DK 1016 05	Plate roller clutch	1	1	
8	DH 1011 63	Roller clutch (Dia 12 x 10)	5	5	
9	DK 1015 96	Spring starter clutch	1	1	
10	39 0849 14	Washer - lock toothed	3	3	
11	39 0972 04	Bolt socket (M6 x 14)	3	3	

Magneto, CDI, Spark Plug & H.T. Coil



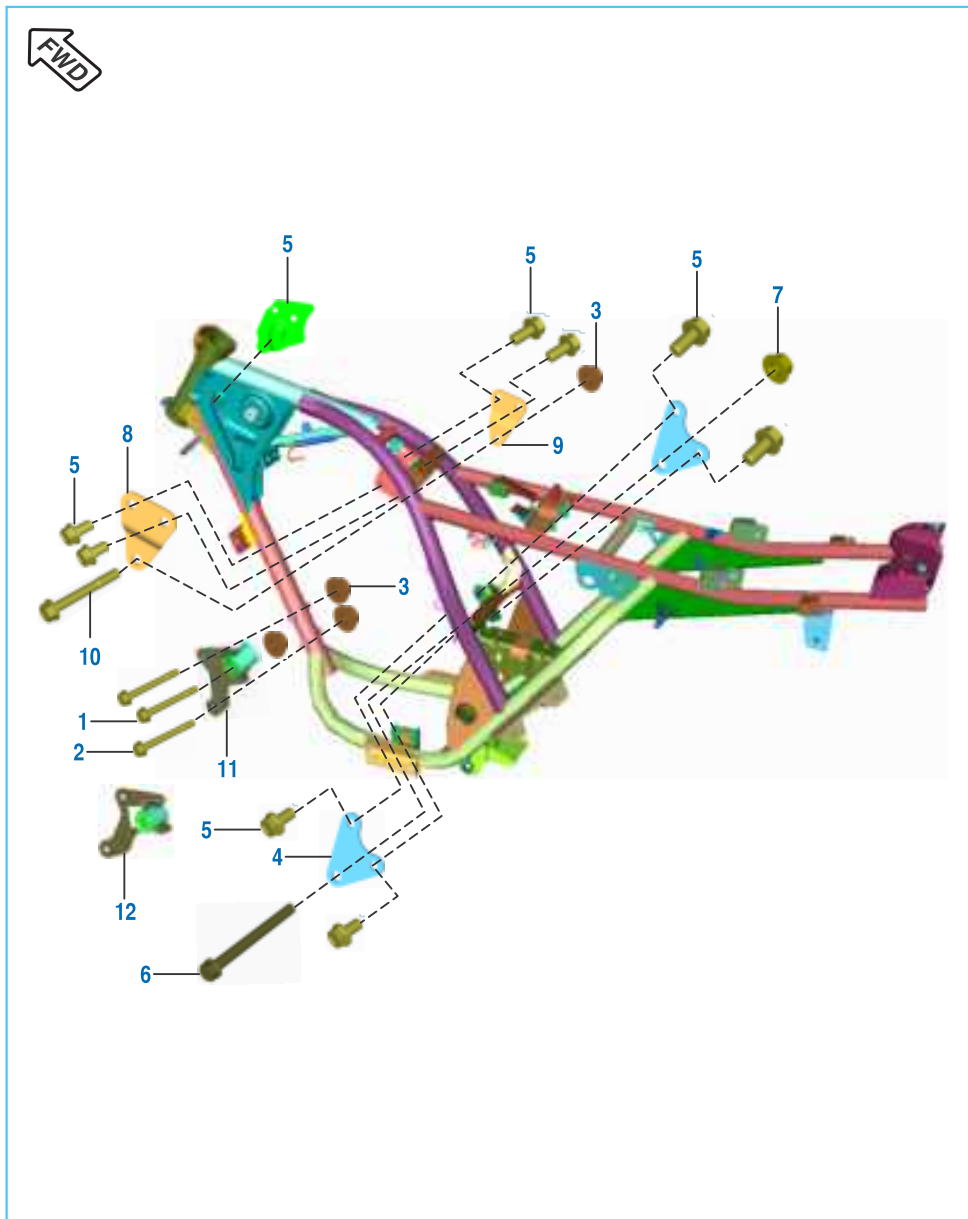
No.	Part No.	Description	Discover		Remarks
			110	125UG	
1	DD 1110 18	Spark plug OR	2	2	
	CF 1110 19	Spark plug bosch UR4AC	2	2	
2	PF 3510 25	Assembly rotor without clutch	1	--	
	PF 3510 42	Assembly rotor without clutch	--	1	
3	JB 3510 30	Stator assembly	1	1	
4	LA C000 52	Bolt socket - M6 x 1 x L28	2	2	
5	DH 1013 80	Screw pan head (M6 x 12)	2	2	
6	JH 5412 07	Bracket stator harness	1	1	
7	KB BC06 08	Screw pan cross - M6 x 1 x L8	1	1	
8	PF 3512 38	CDI	1	--	
	JZ 3512 15	CDI	--	1	
9	PA 3512 01	HT coil with cable - LH	1	1	
10	DD 1110 12	Grommet HT cable	2	2	
11	DD 1110 48	Spark plug cap	1	1	
12	DD 1110 11	Grommet spark plug cap	1	1	
13	PA 3512 02	HT coil with cable - RH	1	1	
14	DH 1110 15	Cap spark plug	1	1	
15	JD 3512 06	Grommet sleeve spark plug cap	1	1	
16	DH 1110 13	Grommet spark plug	1	1	
17	JW 4020 01	DC regulator with capacitor	1	1	
18	KA DD06 14	Bolt flanged	2	2	
19	59 0400 14	Bolt	4	4	

Seat Assembly & Seat Lock



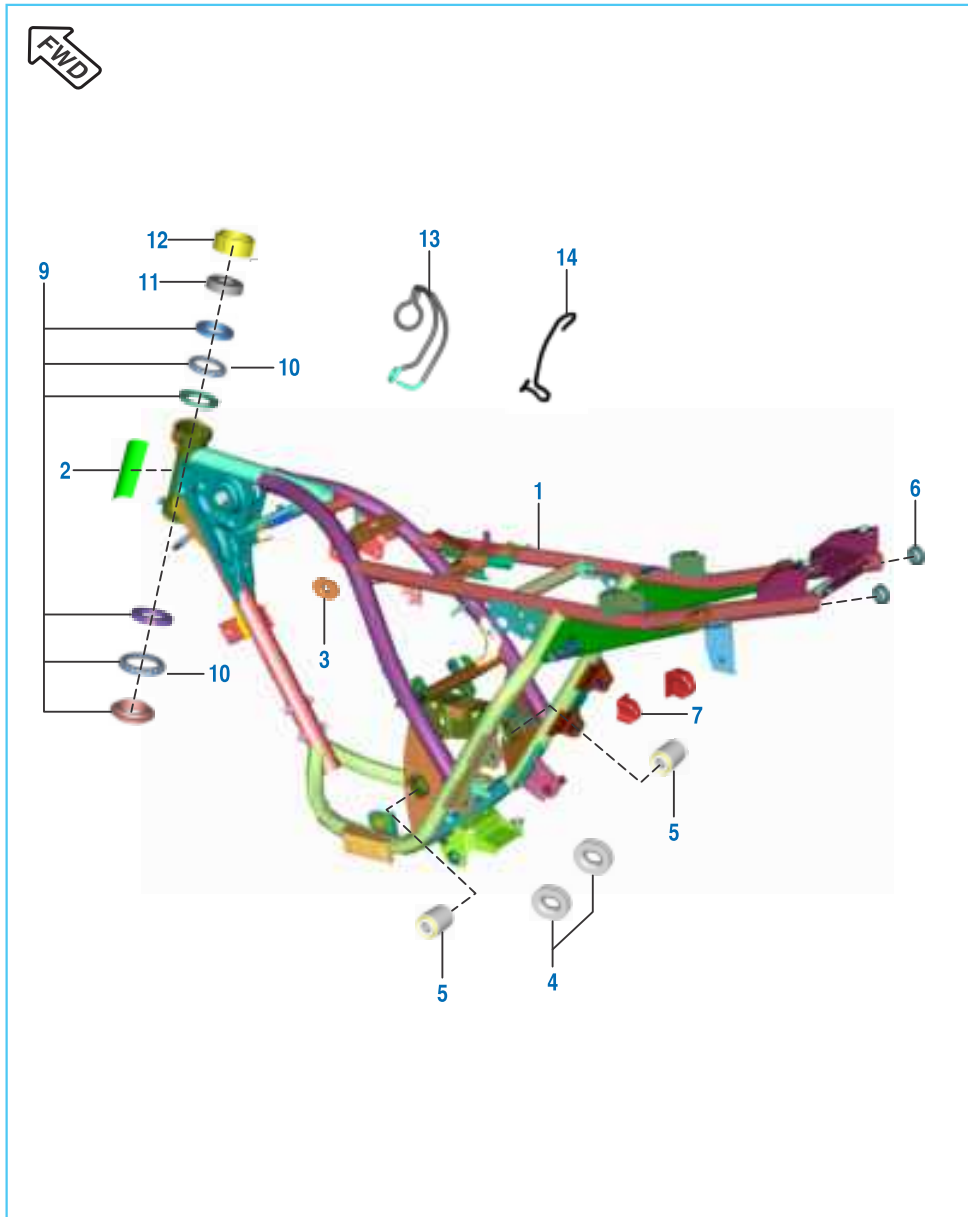
No.	Part No.	Description	Discover		Remarks
			110	125UG	
1	PA 1910 26	Seat assembly	1	1	
2	JZ 1910 10	Damper for seat	6	6	
3	JD 1910 21	Damper seat front	1	1	
4	DS 2110 05	Damper seat II	2	2	
5	JH 1612 03	Seat lock assy. comp.	1	1	
6	DH 1612 33	Reinf. Seat lock	1	1	
7	KA DF06 22	Bolt flanged	2	2	
	KA DD06 22	Bolt flanged	2	2	For CBS Model
8	JH 1612 04	Cable seat lock	-	1	For CBS Model

Engine Mountings



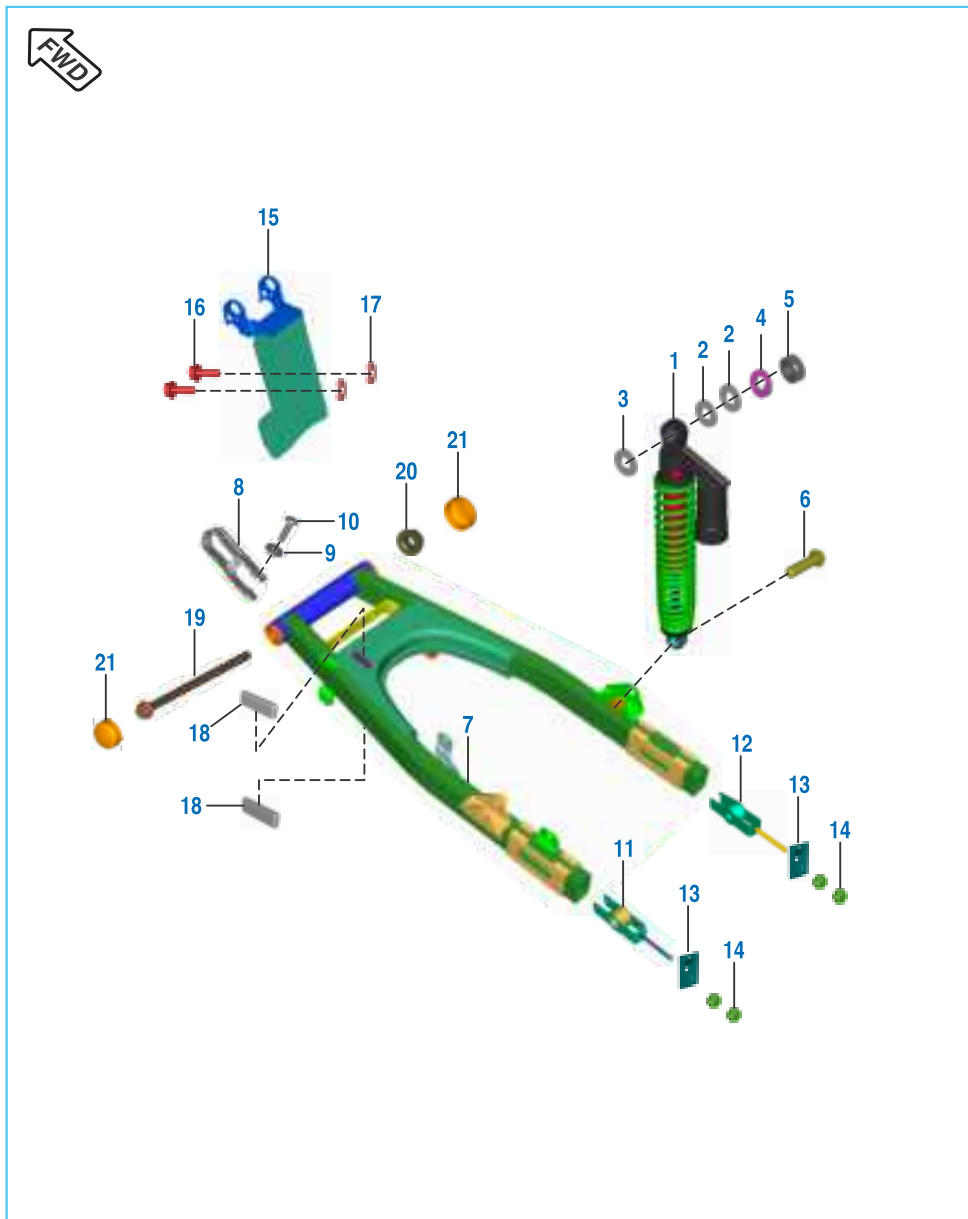
No.	Part No.	Description	Discover		Remarks
			110	125UG	
1	LA D000 41	Bolt flanged M8 x 1.25P x 140L	1	1	
2	KA DD08 80	Bolt flanged	2	2	
3	39 1970 15	Hex nut / flange-M8	3	3	
4	JZ 1134 02	Engine mtg bkt rear top	2	2	
5	KA DD08 16	Bolt flanged	8	8	
6	JA 1134 03	Flanged bolt M10 x 110	2	2	
	KA DD10 B5	Bolt flange M10 x 1.25 x L115	2	2	For CBS Model
7	39 1225 15	Hex nut flange - M10	2	2	
8	PA 1134 21	Hanger engine top LH	1	--	
	JZ 1134 05	Bracket assembly engine upper	--	2	
9	PA 1134 22	Hanger engine top RH	1	--	
10	KA DD08 65	Bolt flanged	1	--	
	LA D000 52	Bolt flanged M8 X 1.25P X 120L	--	1	
11	JZ 1134 00	Bracket complete LH engine front	1	1	
12	JZ 1134 03	Bracket complete RH engine front	1	1	
13	JZ 1138 00	Tape gusset head pipe	--	1	For CBS Model

Frame & Frame Fittings



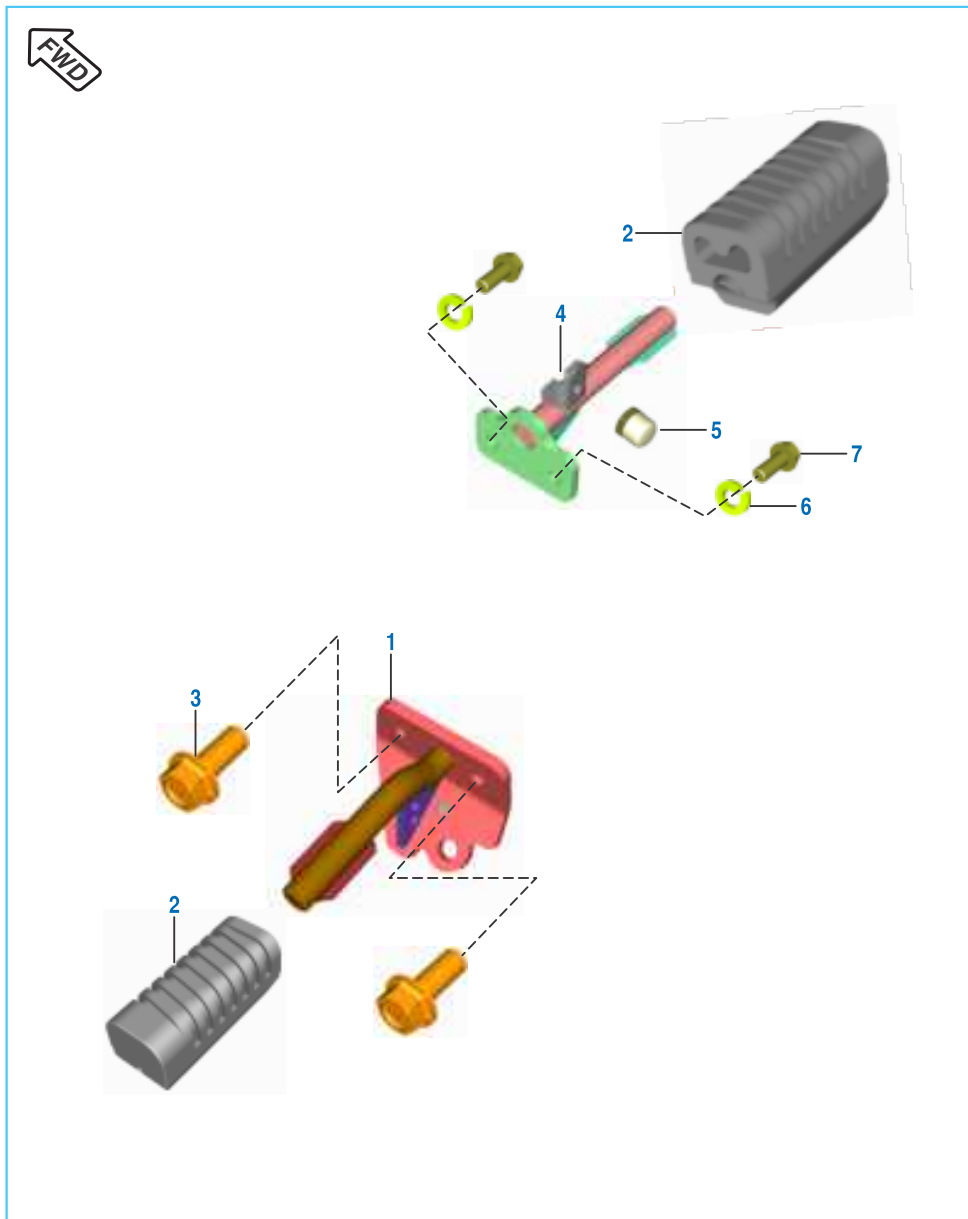
No.	Part No.	Description	Discover		Remarks
			110	125UG	
1	JZ 1113 74	Frame assembly	1	1	
	JZ 1113 92	Frame assembly	1	1	For CBS Model
2	DU 1611 96	Tape - frame	1	1	
3	DS 1410 12	Grommet side cover front	1	1	
4	JH 1814 26	Grommet under tray	2	2	
5	DP 1710 06	Silent bush	2	2	
6	DP 1612 60	Cap - fit on pipe - seat rail - frame	2	2	
7	JZ 1813 22	Grommet side cover	2	2	
8	DK 2010 49	Clamp harness (strip clamp)	1	1	N. I.
9	36 3140 05	Kit Steering cone	1	1	
10	DJ 1811 15	Ball steel With Cage	2	2	
11	DH 1810 14	Cup steering	1	1	
12	DS 1810 18	Nut fork	1	1	
13	PA 1318 69	Hook	1	1	For CBS Model
14	PA 1318 68	Hook	1	1	For CBS Model

Swing Arm & Rear Shock Absorber



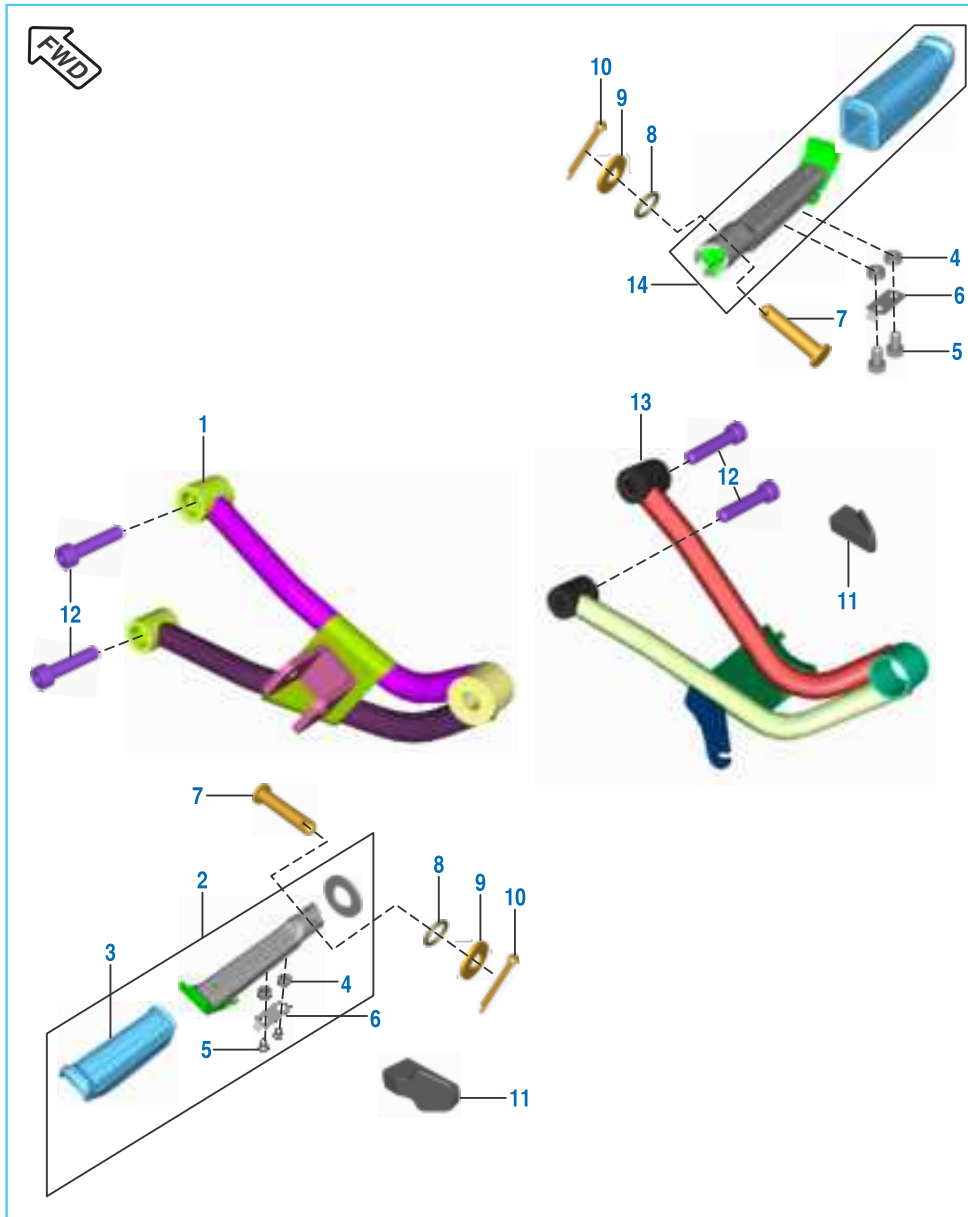
No.	Part No.	Description	Discover		Remarks
			110	125UG	
1	PA 1220 61	Shockabsorber rear	2	2	
2	39 0714 11	Plain washer	4	4	
3	39 2349 11	Plain washer	2	2	
4	39 0789 12	Washer spring	2	2	
5	39 1336 15	Nut (W/O plating)	2	2	
6	JB 1220 16	Flange bolt M10	2	2	
7	PA 1220 64	Arm assembly swing	1	--	
	JZ 1220 71	Arm assembly swing	--	1	
8	DS 1710 07	Chain slider	1	1	
9	39 0454 11	Plain washer	2	2	
10	39 0553 02	Self tapping screw	2	2	
11	DJ 1510 36	Adjuster chain - LH	1	1	
12	52 JB00 45	Adjuster chain - RH	1	--	
	DJ 1510 37	Adjuster chain - RH	--	1	
13	DJ 1510 47	Plate chain adjuster	2	2	
14	39 0292 15	Hexagon nut - M6 x 1	4	4	
15	DS 1710 14	Mud flap	1	1	
16	39 2060 04	Flanged bolt M5	2	2	
17	39 0258 11	Plain washer	2	2	
18	PA 1220 16	Rubber beading swing arm	2	2	
19	DS 1710 13	Shaft swing arm	1	1	
20	39 1358 15	Hex nut flanged M12	1	1	
21	PA 1138 14	Cap Arm Swing	2	2	

Rider Foot Rest



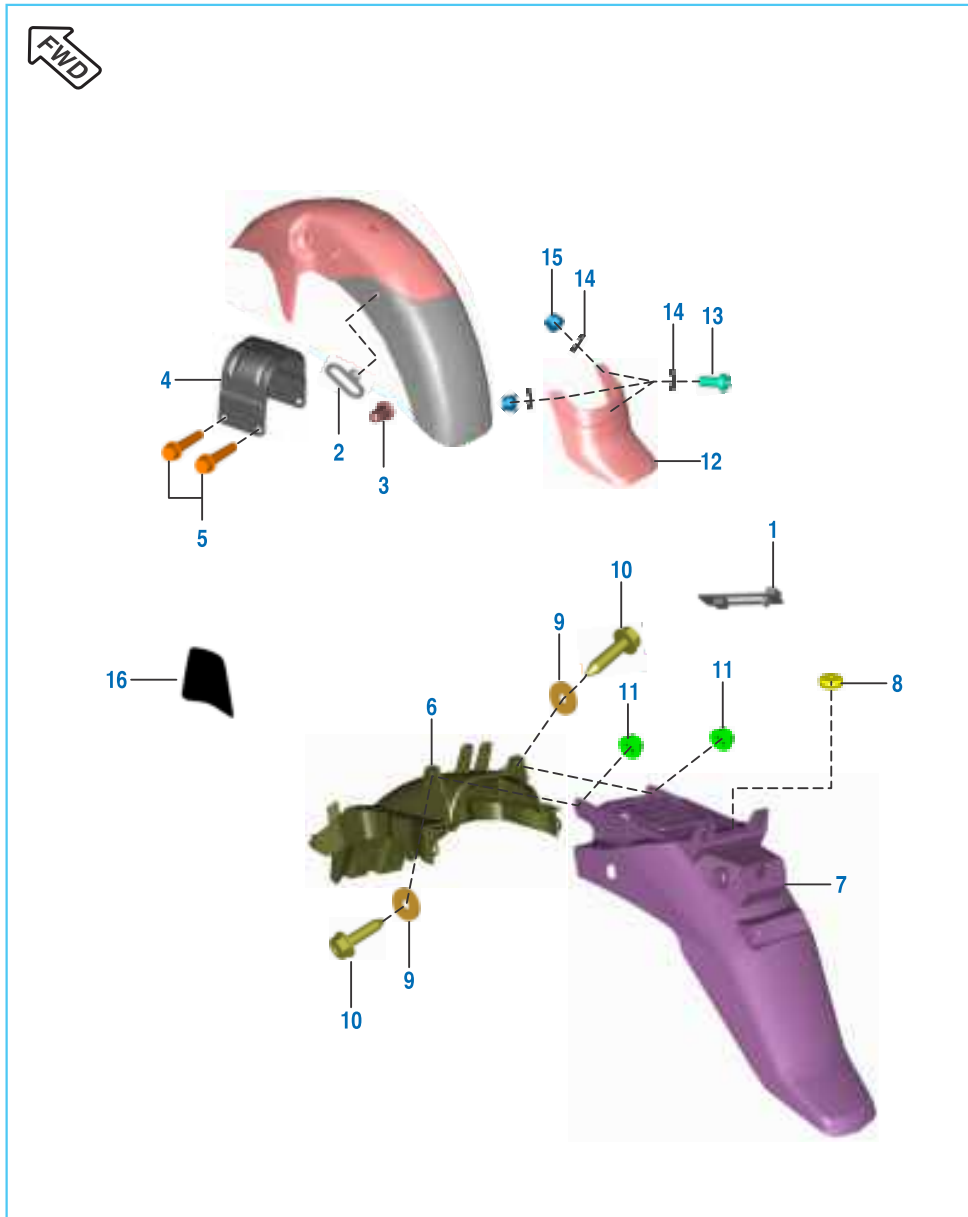
No.	Part No.	Description	Discover		Remarks
			110	125UG	
1	PA 1130 75	Stay step main LH	1	1	
2	PF 1130 28	Damper rider footrest	2	2	
3	LA D001 26	Bolt flanged - M8 x 1.25 x L20	2	2	
4	PA 1130 76	Step assembly rider RH	1	1	
5	DH 1611 94	Kick stopper	1	1	
6	KD CB08 16	Washer spring	2	2	
7	KA DD08 20	Bolt flanged	2	2	

Pillion Foot Rest & Holder



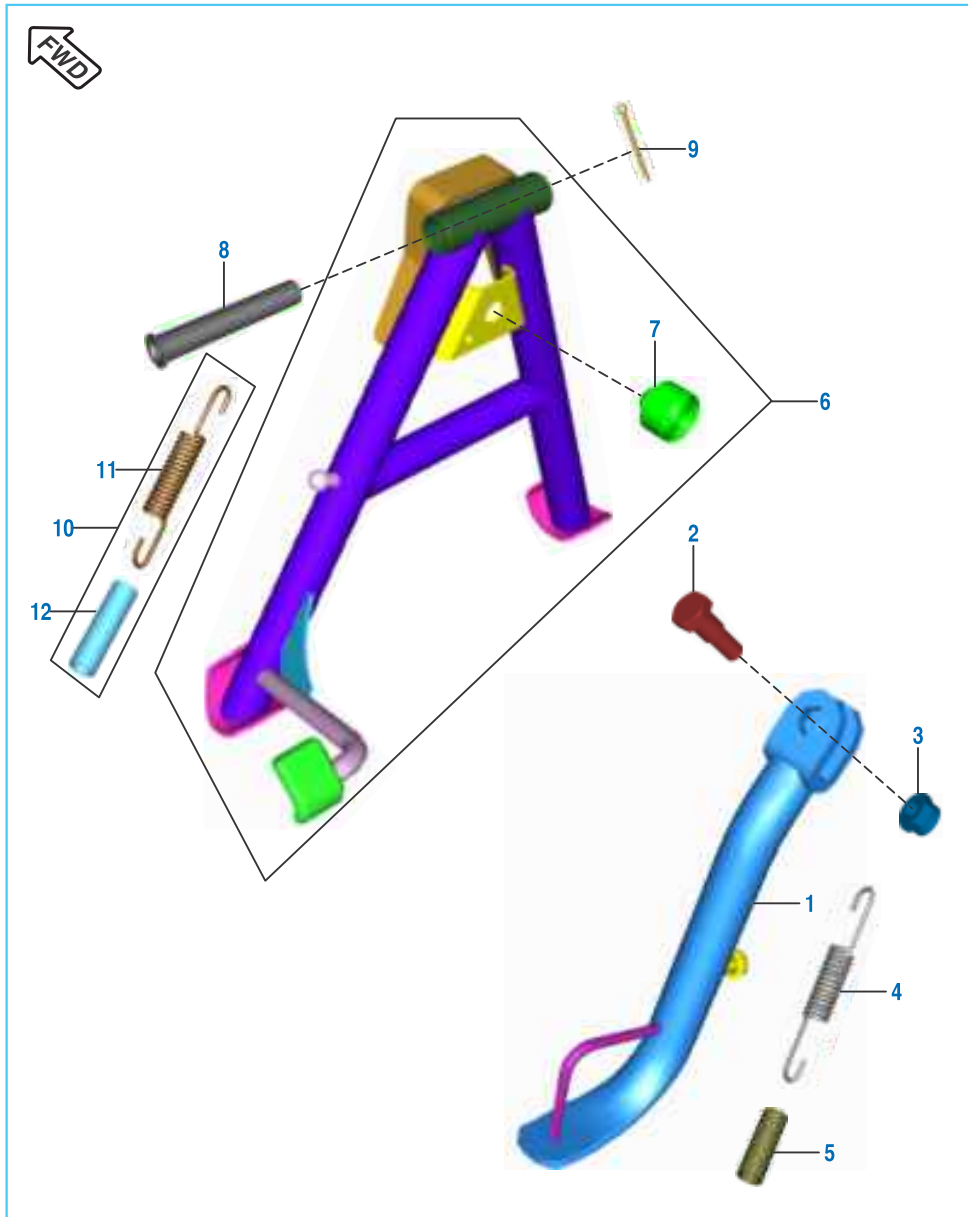
No.	Part No.	Description	Discover		Remarks
			110	125UG	
1	JZ 1130 87	Holder step pillion LH	1	1	
2	JZ 1130 62	Assembly pillion step LH complete	1	1	
3	DJ 1611 22	Rubber pillion step	2	2	
4	DH 1611 00	Spacer main step	4	4	
5	22 1504 51	Bolt hex head	4	4	
6	DX 1610 67	Plate lock pillion step	2	2	
7	DD 1613 81	Pin pillion step	2	2	
8	30 1410 31	Ring O	2	2	
9	KD BA08 18	Washer plain	2	2	
10	KH AA25 20	Pin cotter	2	2	
11	PA 1130 61	Damper pillion foot rest	2	2	
12	KA CF08 35	Bolt socket - M8 x 1.25 x L35	4	4	
13	PA 1130 79	Holder step pillion RH	1	1	
	JZ 1131 14	Holder step pillion RH	1	1	For CBS Model
14	JZ 1130 68	Assembly pillion step RH complete	1	1	

Mudguard - Front & Rear



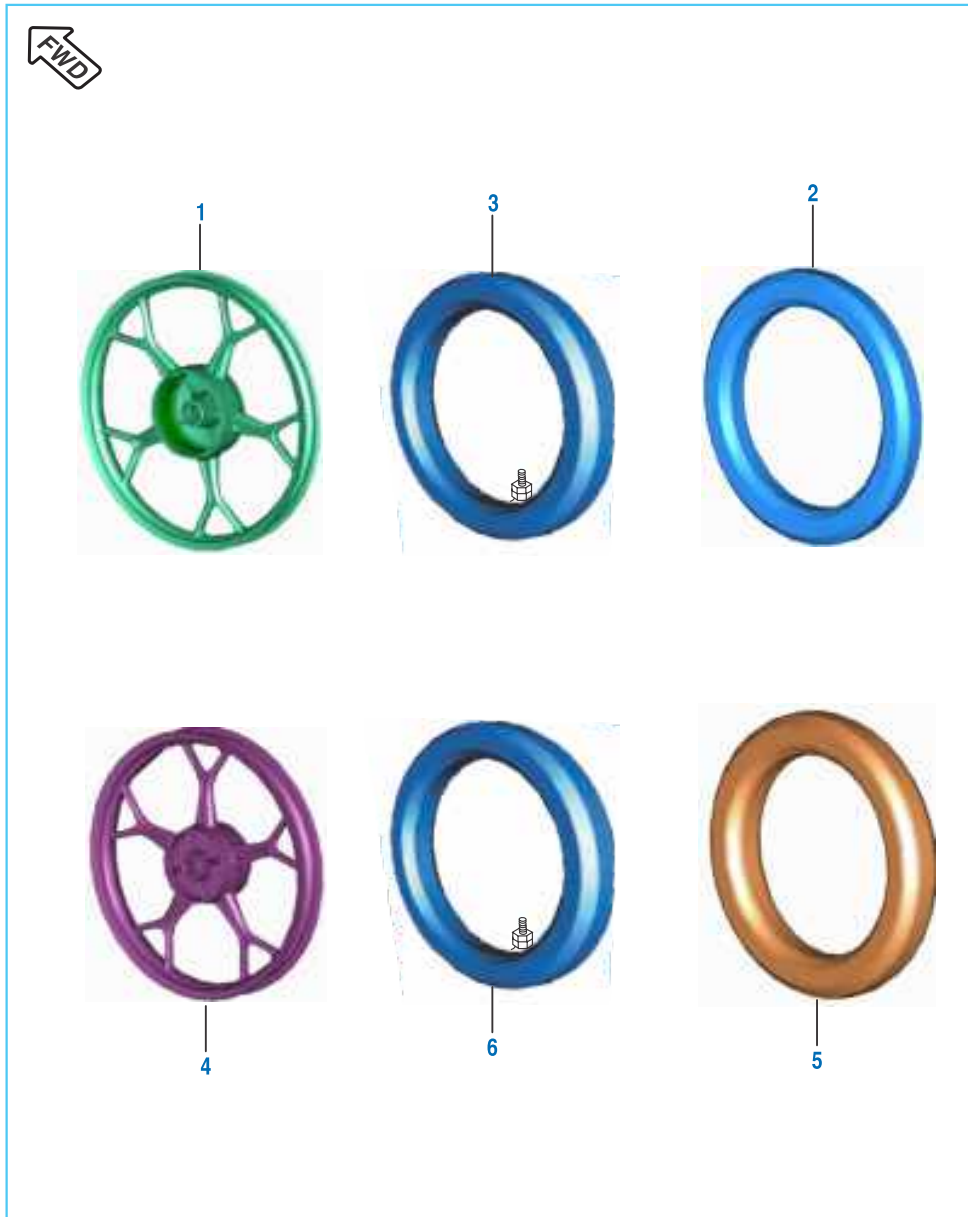
No.	Part No.	Description	Discover		Remarks
			110	125UG	
1	JZ 1814 06	Grommet saree guard	1	1	
2	DS 1611 25	Cable guide	1	1	
	DU 1612 81	Cable guide	1	--	For CBS Model
3	DJ 1610 69	Nail cable guide	1	1	
4	JB 1814 16	Brace fender (Export)	1	1	For CBS Model
	JB 1814 21	Brace fender disc (Export)	--	1	
5	KA ED06 35	Hex bolt with flange M6 - 35l	4	4	
6	JZ 1814 02	Rear fender front	1	1	
7	PA 1814 40	Fender rear	1	1	
8	DJ 2011 73	Grommet for cables - Rear fender	2	2	
9	39 0211 11	Washer plain	2	2	
10	DS 1612 87	Flange bolt - M6	2	2	
	KA DD06 10	Bolt flanged	2	2	For CBS Model
11	39 0798 15	Nut hexagon with flange M6	2	2	
	LC L000 02	Nut flange :- M6 X 1P	2	2	For CBS Model
12	JB 1814 03	Flap Front Fender	1	1	
13	KB BC05 12	Screw Pan Cross	3	3	
	KB UC05 14	Screw truss - M5 x 0.8 x L14	--	3	For CBS Model
14	KD AA05 10	Washer Plain Small	6	6	
15	KC HA05 07	Nut Nyloc	3	3	
16	JZ 1814 83	Tape	1	1	For CBS Model

Stand Assembly



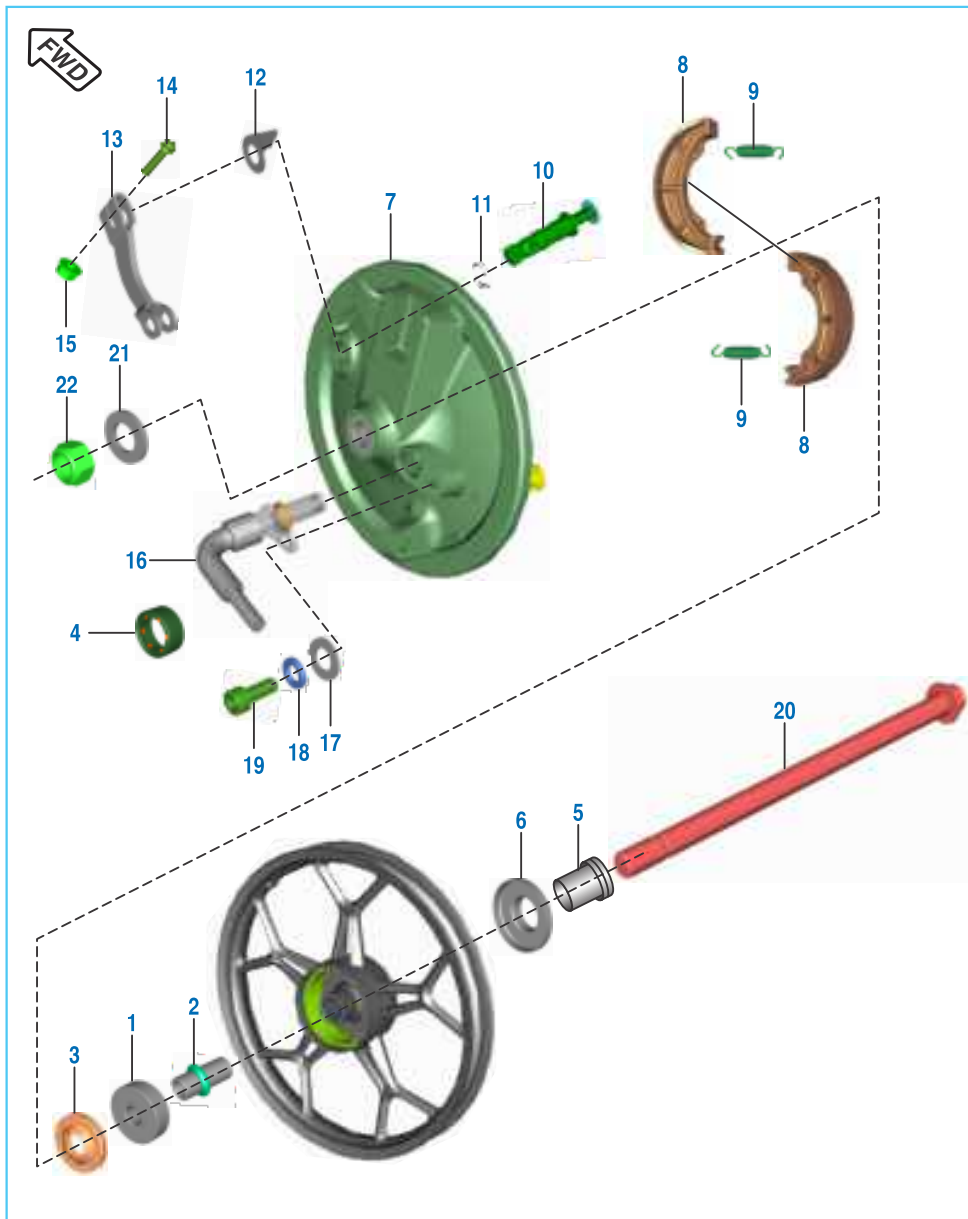
No.	Part No.	Description	Discover		Remarks
			110	125UG	
1	DS 1610 77	Side stand	1	1	
2	DF 1611 02	Bolt	1	1	
3	39 0422 15	Nut nyloc M10	1	1	
4	DH 1610 66	Spring side stand	1	1	
5	DH 1611 46	Cover spring side stand	1	1	
6	PA 1132 13	Assembly stand main	1	1	
7	JN 1132 00	Damper center stand	1	1	
8	DS 1611 12	Shaft stand	1	1	
9	KH AA32 35	Pin cotter	1	1	
10	DH 1612 39	Sprint main stand with cover	1	1	
11	DH 1611 21	Spring main stand	1	1	
12	DH 1611 45	Cover spring main stand	1	1	

Tube / Tyre / Rim



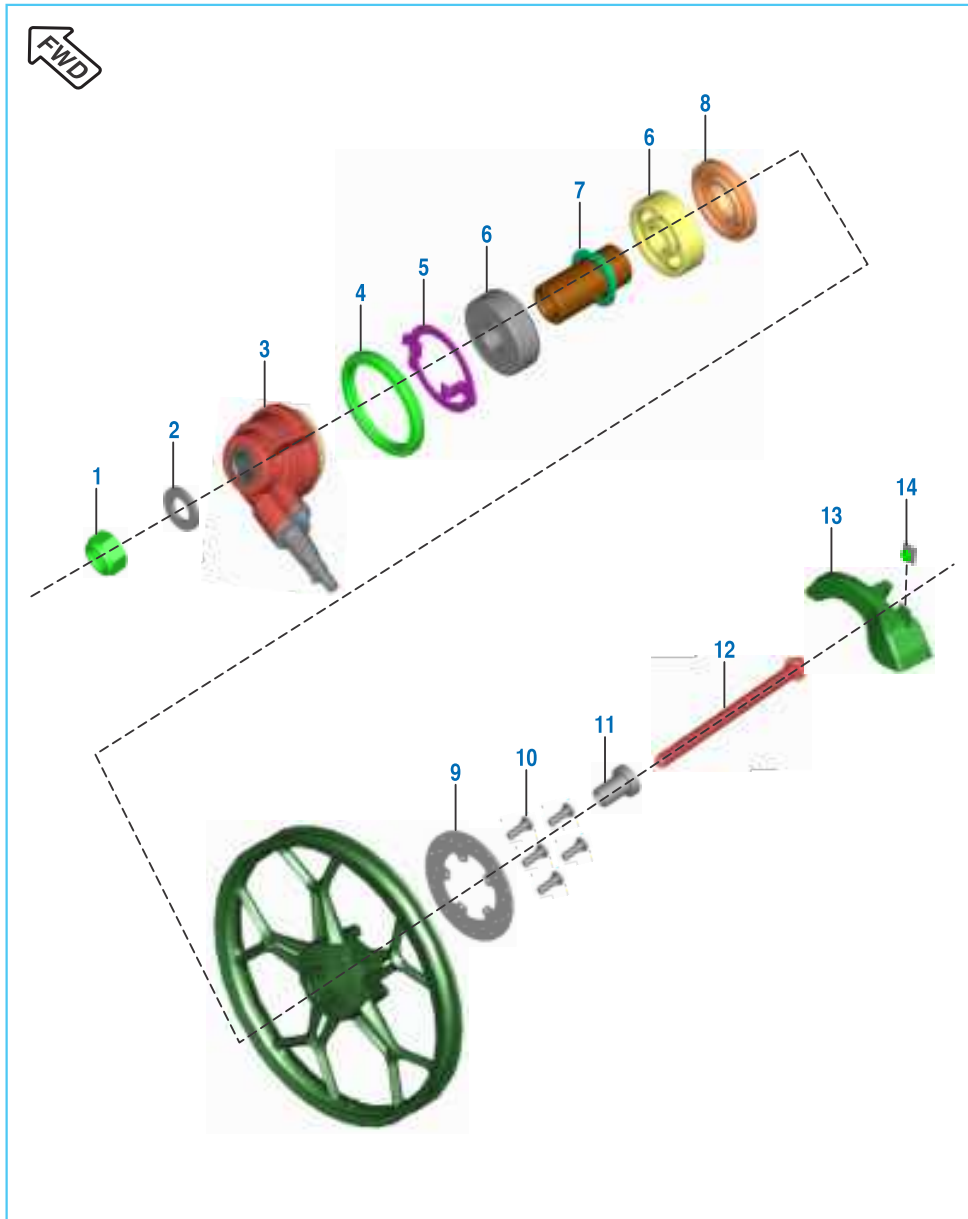
No.	Part No.	Description	Discover		Remarks
			110	125UG	
1	PA 1310 46	Wheel front - 1.4 x 17	1	1	
	JZ 1310 28	Wheel front 1.4 x 17 (DI)	-	1	Disc brake
	JZ 1310 05	Wheel front 1.40 x 17	-	1	For Disc CBS
2	DS 1510 48	Tyre 2.75 - 17	1	1	
3	DS 1510 49	Tube - 2.75 x 17	1	1	
4	PA 1312 15	Wheel rear - 1.6 x 17 (Dr)	1	--	
	JZ 1312 24	Wheel rear - 1.6 x 17 (Dr)	-	1	
	JZ 1312 86	Wheel rear 2.15 x 17	-	1	Disc brake
5	DS 1510 52	Tyre rear - 3.00 - 17	1	1	
	DS 1510 31	Tyre 100/90 - 17	-	1	Disc brake
6	DS 1510 53	Tube - 3 x 17	1	1	
	DS 1510 29	Tube (90 / 90 - 17)	-	1	Disc brake

Front Wheel Hub (Drum Brake)



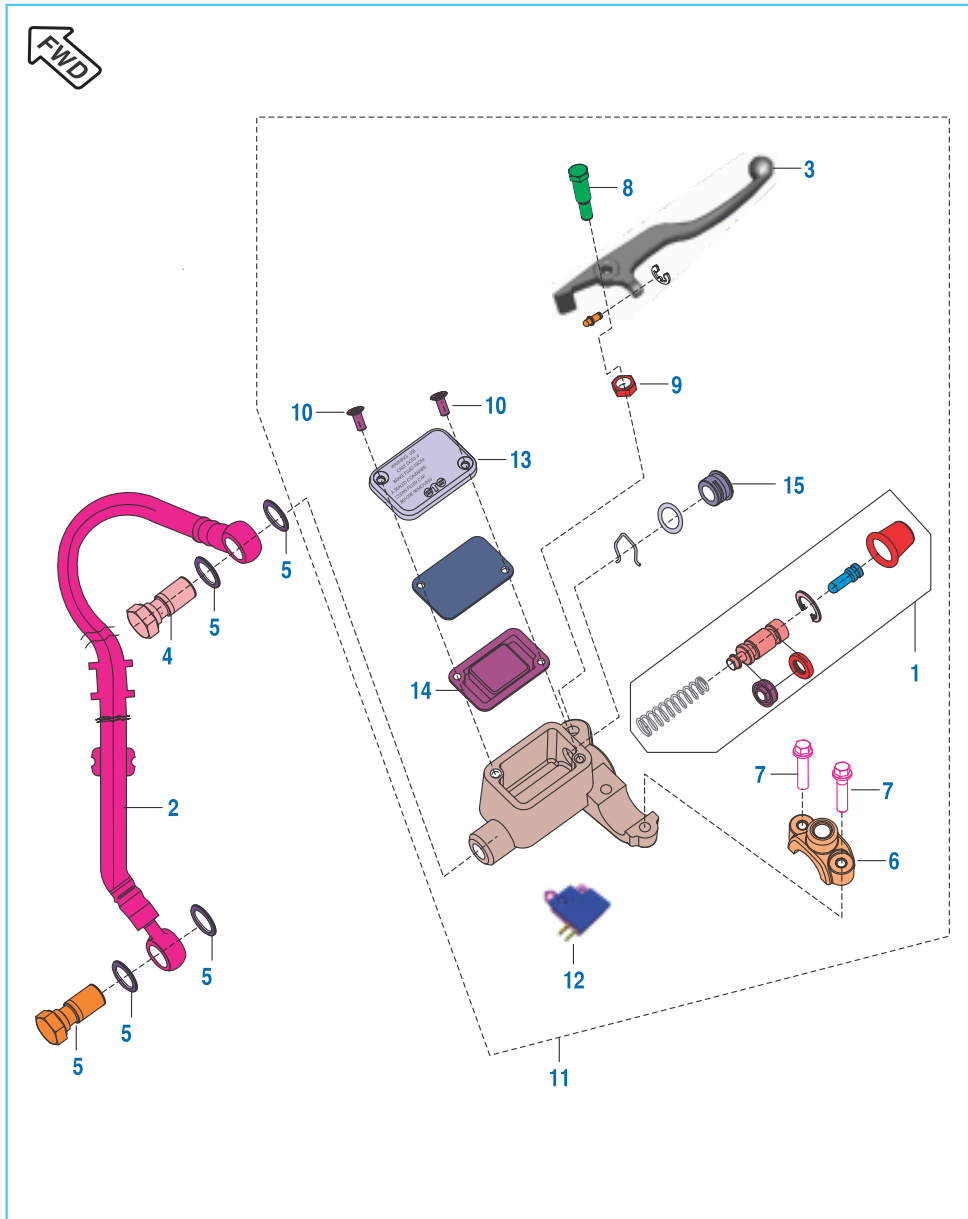
No.	Part No.	Description	Discover		Remarks
			110	125UG	
1	KP BB63 01	Bearing – ball – C3 clearance	2	2	
2	30 1510 32	Collar bearing	1	1	
3	30 1510 33	Seal - oil	1	1	
4	JB 1310 08	Ring - Speed sensor	1	1	
5	JB 1310 22	Spacer assembly	1	1	
6	DS 1510 56	Dust cover front	1	1	
7	JB 1316 01	Front brake panel	1	1	
	JZ 1316 15	Panel brake front	1	1	For CBS Model
8	36 JZ01 40	Kit brake shoe dia 130MM	2	2	
	30 1510 68	Shoe brake	2	2	For CBS Model
9	30 1510 69	Spring	2	2	
10	DS 1510 89	Cam brake assy front	1	1	
	JZ 1319 15	Cam brake front	1	1	For CBS Model
11	30 1510 38	O ring	1	1	
12	DS 1510 91	Wear indicator	1	1	
	GL 1312 18	Spacer cam brake lever	1	1	For CBS Model
13	DS 1510 92	Lever brake	1	1	
	JZ 1319 16	Lever cam brake front	1	1	For CBS Model
14	KA EF06 30	Bolt flange kae st - f dia - 06 L-30	1	1	
15	DS 1510 94	Flanged nut	1	1	
16	JB 4024 01	Vehicle speed sensor	1	1	
17	39 0782 11	Washer plain m6	1	1	
18	39 0263 12	Washer spring	1	1	
19	39 0745 01	Pan headed screw	1	1	
20	JB 1310 17	Axle front	1	1	
21	JB 1310 18	Washer plain	1	1	
22	59 1500 03	Nut U - M12	1	1	

Front Wheel Hub (Disc Brake)



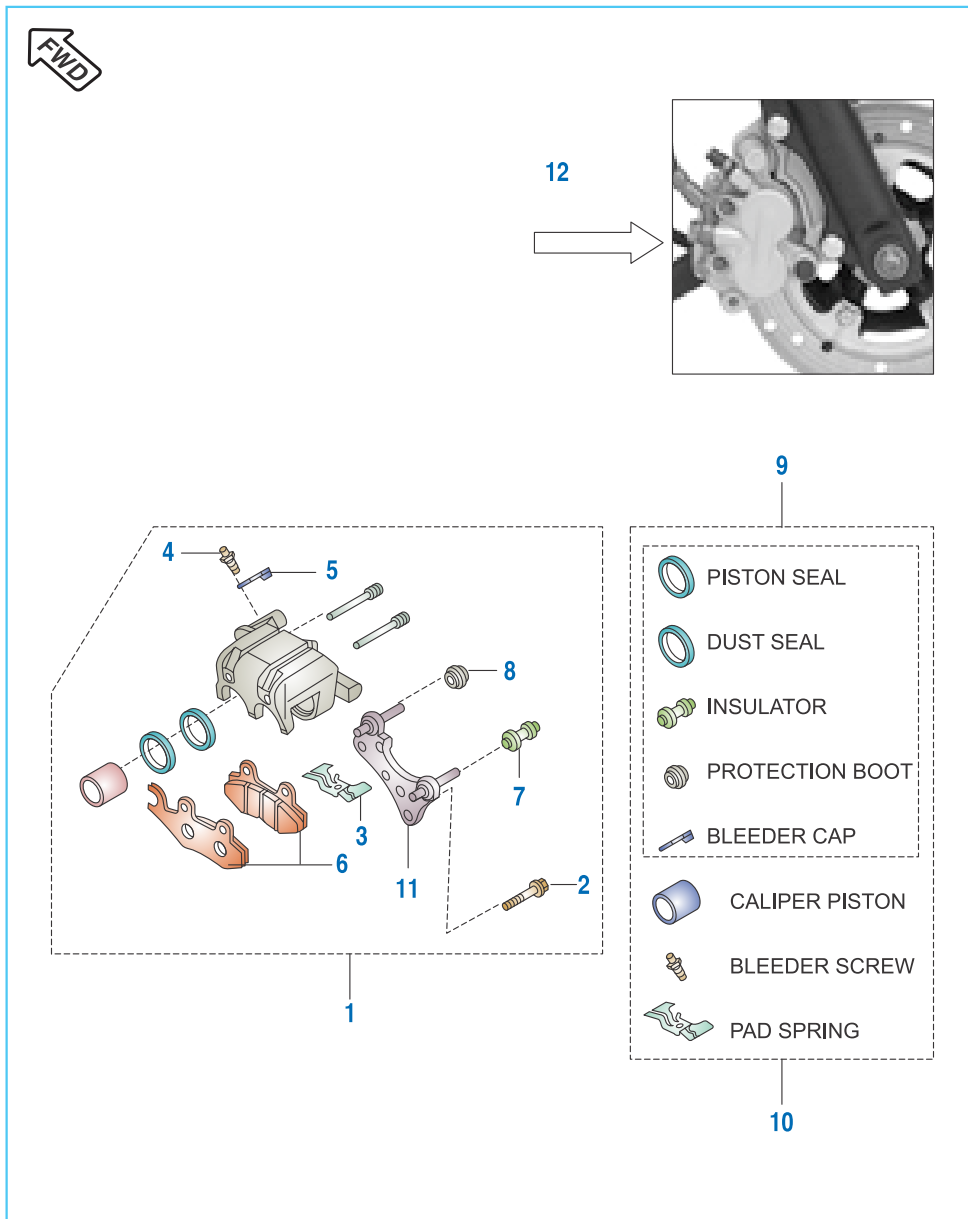
No.	Part No.	Description	Discover		Remarks
			110	125UG	
1	59 1500 03	'U' Nut M12	-	1	
2	JB 1310 18	Plain Washer	-	1	
3	DH 2010 79	Sensor speed - assy	-	1	
4	DE 1510 08	Seal Oil	-	1	
5	DE 1510 12	Plate Drive	-	1	
6	KP BB63 01	Bearing Ball	-	2	
7	DE 1510 06	Spacer Assembly	-	1	
8	30 1510 33	Seal Oil	-	1	
9	JW 1318 06	Disc (200 mm Dia)	-	1	
10	JH 1318 85	Disc brake 240 DIA	-	1	For Disc CBS
	LA C000 02	Hex. Soc. Head Bolt	-	5	
11	JD 1318 11	Special bolt M8	-	5	For Disc CBS
	DS 1510 58	Spacer	-	1	
12	JB 1310 17	Axle	-	1	
13	JW 1812 41	Cover Disc	-	1	
	JN 1812 06	Cover Disc	-	1	For Disc CBS
14	JN 1812 11	Clip Nut	-	1	

Front Master Cylinder



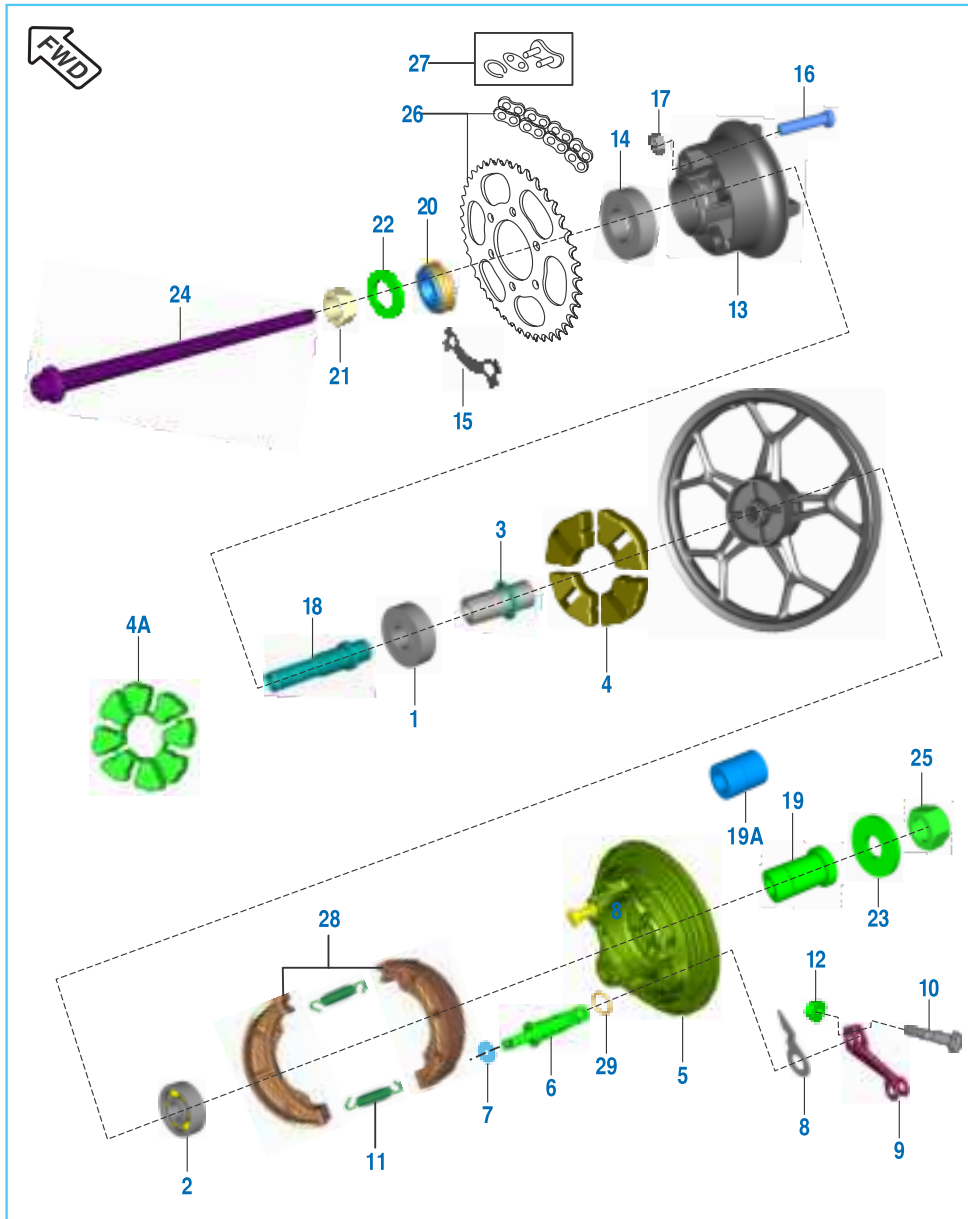
No.	Part No.	Description	Discover		Remarks
			110	125UG	
1	DJ 1910 23	Major Kit - M Cyl. with Grease	-	1	
2	JW 1318 05	Hose Brake Front	-	1	
3	DJ 1910 59	Lever Grip RH	-	1	
4	DJ 1910 25	Banjo Bolt	-	2	
5	DJ 1910 26	Washer Copper	-	4	
6	DJ 1910 27	Clamp Holder RH	-	1	
7	DJ 1910 28	Bolt Clamp Holder	-	2	
8	DJ 1910 29	Bolt Front Brake Lever	-	1	
9	DJ 1910 30	Nut Flanged	-	1	
10	DJ 1910 31	Screw	-	2	
11	DJ 1910 58	Cylinder Master with Lever	-	1	
	JH 1318 50	Cylinder assembly master front	-	1	For Disc CBS
12	DJ 2011 09	Front Brake Switch	-	1	
13	DJ 1910 34	Reservoir Cover	-	1	
14	DJ 1910 35	Diaphragm	-	1	
15	DJ 1910 38	Window Oil Level	-	1	

Front Disc Brake Caliper Assembly



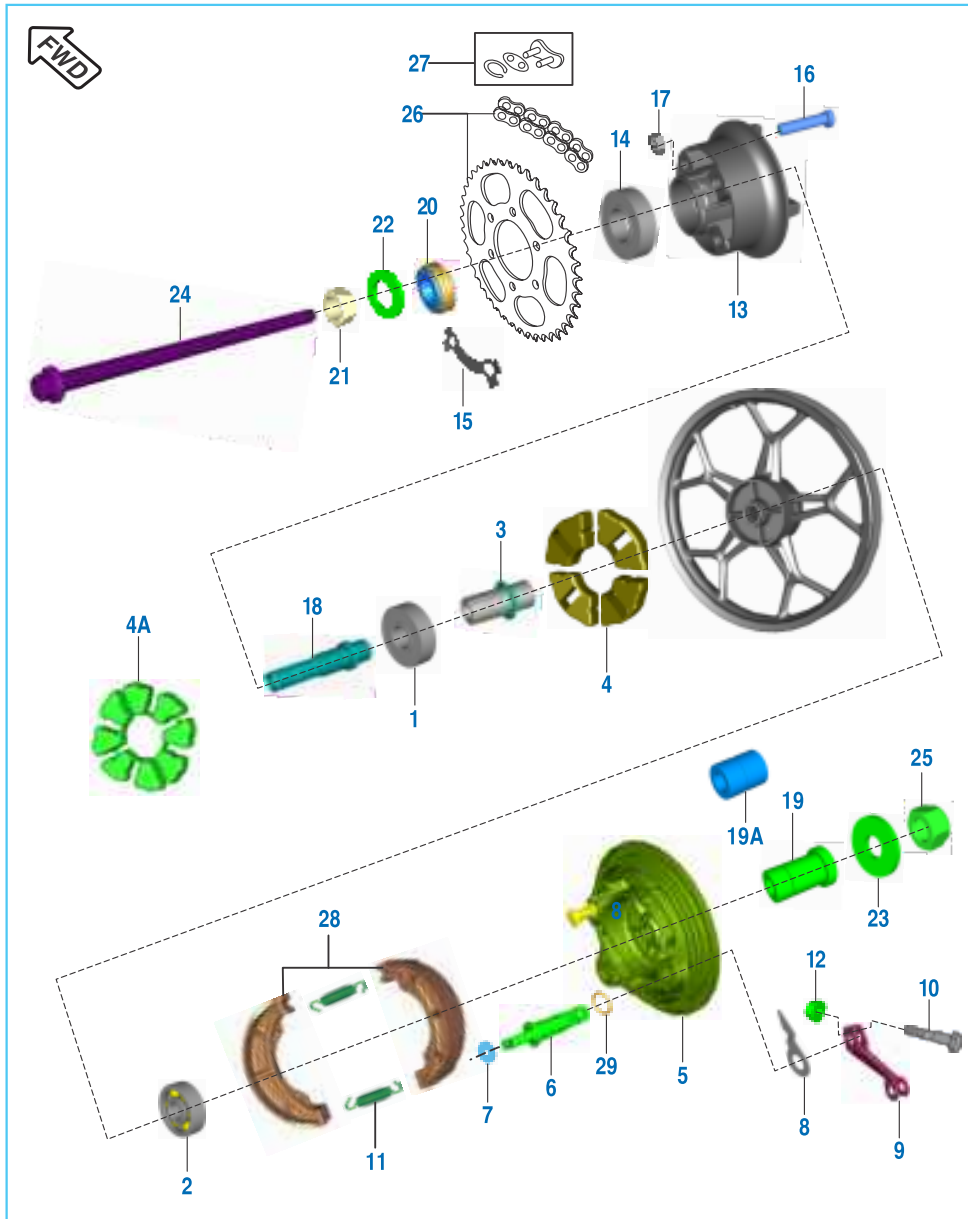
No.	Part No.	Description	Discover		Remarks
			110	125UG	
1	JW 1318 01	Caliper Assembly Front	-	1	
	DG 1510 89	Caliper assembly brake front	-	1	For Disc CBS Caliper Mounting
2	DH 1510 39	Bolt Flanged Pre - Coated	-	2	
3	DE 1510 48	Spring Pad	-	1	
4	DE 1510 46	Bleeder Screw	-	1	
5	DE 1510 47	Bleeder Cap	-	1	
6	JW 1318 07	Brake Pad Set	-	1	
7	DE 1510 43	Insulator	-	1	
8	DE 1510 45	Dust Cover	-	1	
9	JW 1318 09	Minor Kit - Caliper	-	1	
10	36 DJ40 33	Major Kit - Caliper With Grease	-	1	
11	36 PD00 45	Kit Caliper Bracket	-	1	

Rear Hub



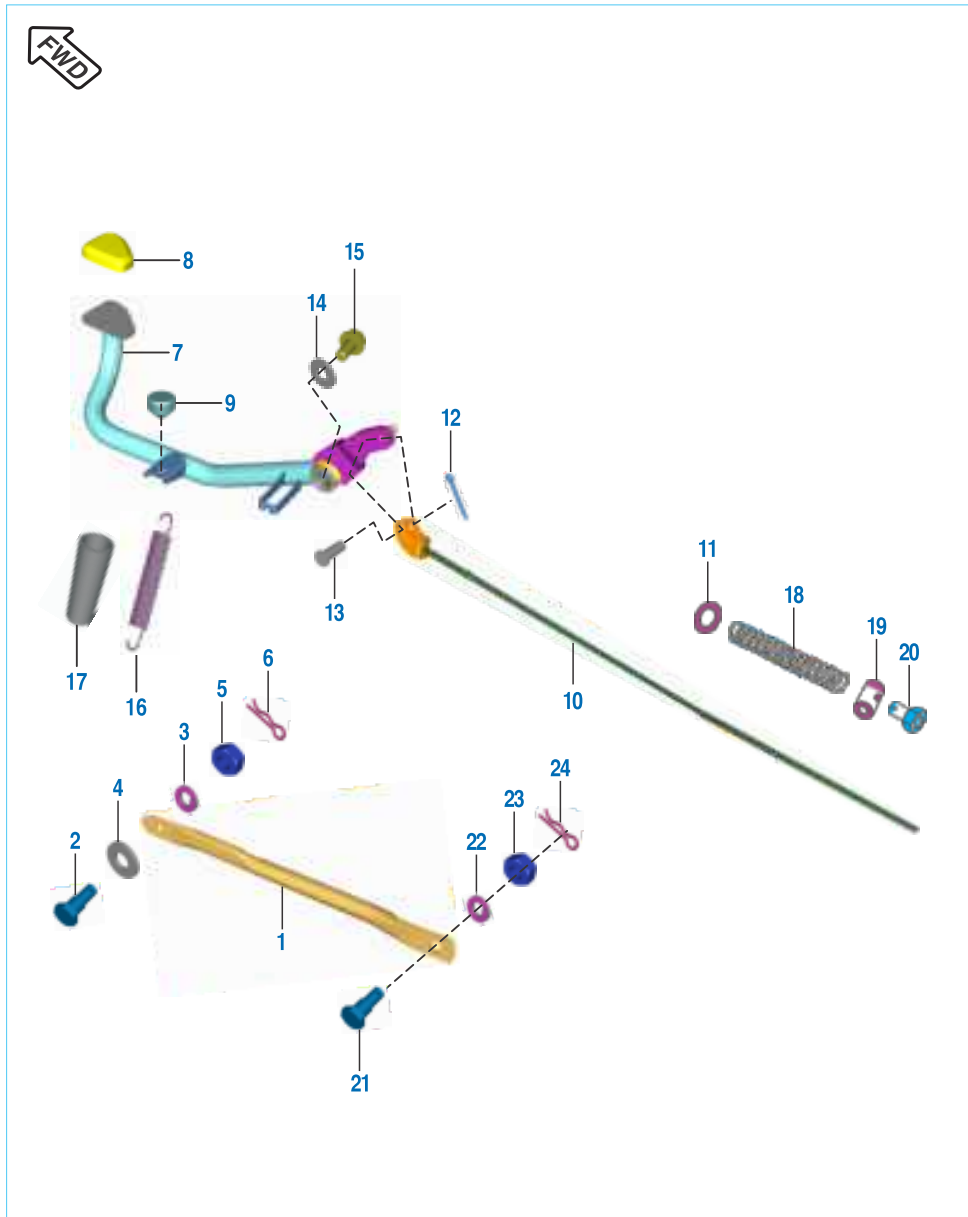
No.	Part No.	Description	Discover		Remarks
			110	125UG	
1	KP BB62 01	Bearing ball C3 clearance	1	--	
	KP BB63 02	Bearing ball C3 clearance	--	1	
2	KP BB63 01	Bearing ball C3 clearance	1	1	For CBS Model
	KP BB62 02	Bearing ball C3 clearance	--	1	
3	31 1510 18	Collar bearing	1	--	
	30 1510 75	Collar bearing	--	1	
4	PA 1312 63	Damper coupling - NR+PBR	4	--	
4A	DK 1510 94	Coupling rubber	--	1	
5	JA 1312 05	Panel rear brake	1	--	For CBS Model For CBS Model
	DJ 1510 92	Panel rear brake	--	1	
	JZ 1319 26	Panel brake rear	1	--	
	DJ 1511 19	Panel rear brake	--	1	
6	JB 1312 23	Cam brake	1	--	For CBS Model
	30 1510 11	Cam brake assly	--	1	
	JZ 1319 27	Cam brake	1	--	
7	39 0723 11	Plain washer	1	1	For CBS Model For CBS Model For CBS Model For CBS Model
	39 0722 11	Plain washer	--	1	
	JC 1510 12	Special washer panel RR	1	--	
	JC 1510 04	Cam brake assembly (with washer)	--	1	
	JC 1510 06	Indicator	1	1	
8	30 1510 05	Indicator	1	--	For CBS Model
	DS 1510 90	Wear indicator	--	1	
	JC 1510 06	Indicator	1	1	
9	PA 1318 65	Lever cam brake rear	1	--	For CBS Model
	JZ 1318 03	Lever cam brake rear	--	1	
	JH 1318 83	Lever brake cam	1	1	
10	39 2447 04	Hexagon head bolt - M6	1	1	
	JB 1312 24	Hex bolt with flange M6 - 30L	1	1	
11	30 1510 69	Spring	2	2	
12	39 0798 15	Nut hexagon with flange M6	1	1	
13	PA 1312 08	Coupling	1	--	
	DS 1510 68	Coupling	--	1	

Rear Hub



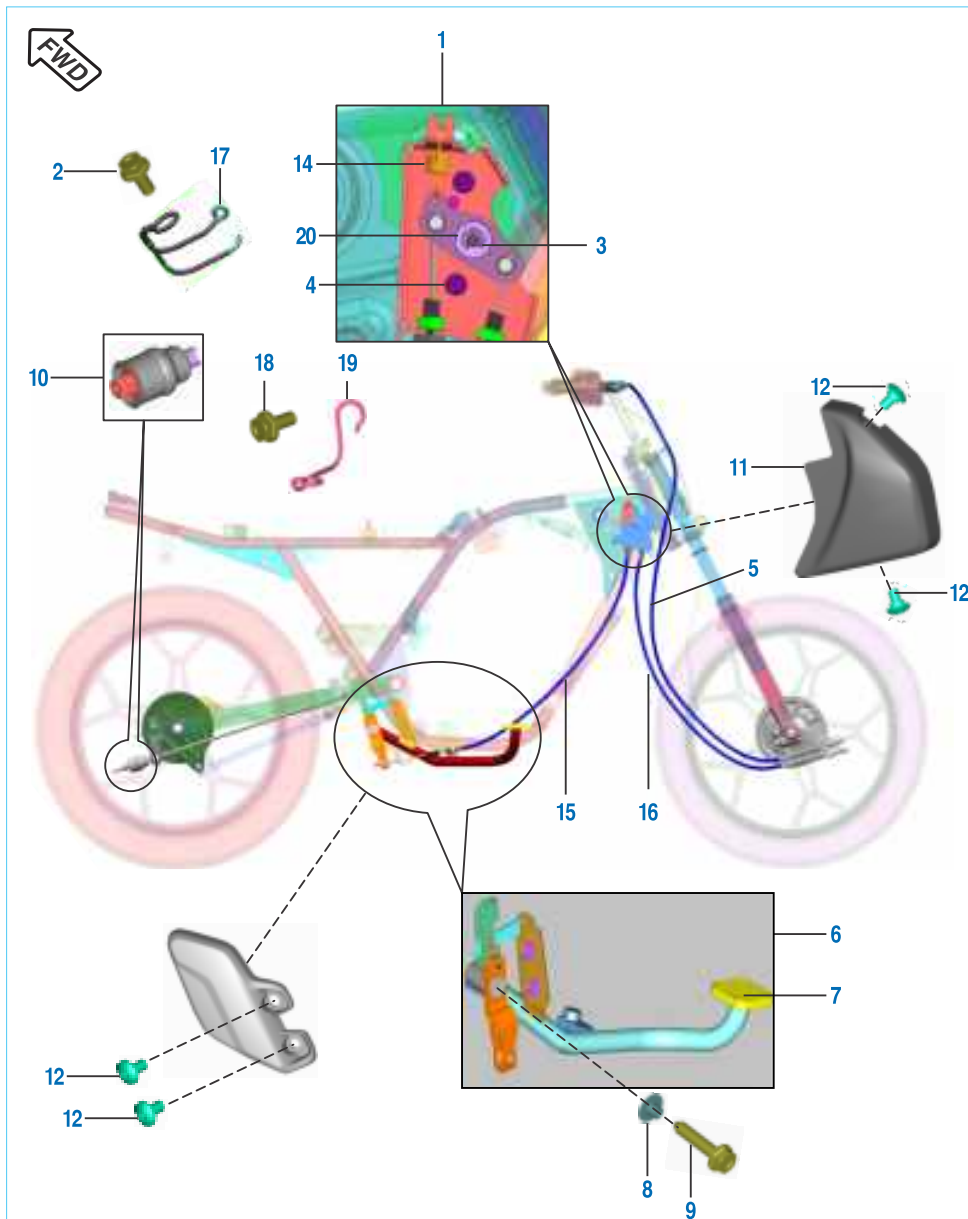
No.	Part No.	Description	Discover		Remarks
			110	125UG	
14	39 2240 20	Ball bearing	1	--	
	KP BC60 04	Bearing ball C3 clearance	--	1	
15	31 1510 29	Washer	2	--	
	PF 1312 20	Washer lock for nut A / F 17	--	2	
16	DX 1510 10	D bolt	4	--	
	DS 1510 73	Stud M10 X 1.25P	--	4	
17	39 0794 15	Hexagon nut - M10 x 1.25	4	--	
	LC B000 05	Nut hex A/F 17 M10 x 1.25 x 6H	--	4	
18	PA 1316 10	Sleeve	1	--	
	DJ 1510 33	Sleeve	--	1	
19	PA 1312 76	Collar	1	--	
	JD 1312 17	Collar	--	1	
19A	JZ 1312 91	Spacer	--	1	For CBS Model
20	DX 1510 12	Collar assy	1	--	
	DS 1510 61	Collar assy	--	1	
21	39 0988 15	Hexagon nut - M18 x 1.5P	1	--	
	39 0801 15	Hexagon nut - M20 x 1	--	1	
22	DX 1510 15	Plain washer	1	--	
	39 2567 11	Plain washer	--	1	
23	DX 1510 18	Plain washer	1	--	
	39 2566 11	Plain washer	--	1	
24	PA 1312 39	Axle - M12 x 1.25 x L290 x bright	1	--	
	JN 1312 11	Rear axle	--	1	
25	59 1500 03	U nut M12	1	1	For CBS Model
	DH 1710 19	U nut swing arm	--	1	
26	36 PA01 87	Kit chain sprocket	1	--	
	36 JZ01 97	Kit chain sprocket	--	1	
27	JN 1410 02	Drive Chain Link Lock	1	1	
28	36 JZ01 40	KIT BRAKE SHOE DIA 130MM	--	1	
	31 1510 60	SHOE ASSEMBLY	1	--	
29	01 1701 22	'O' Ring	1	1	For CBS Model

Rear Brake Pedal



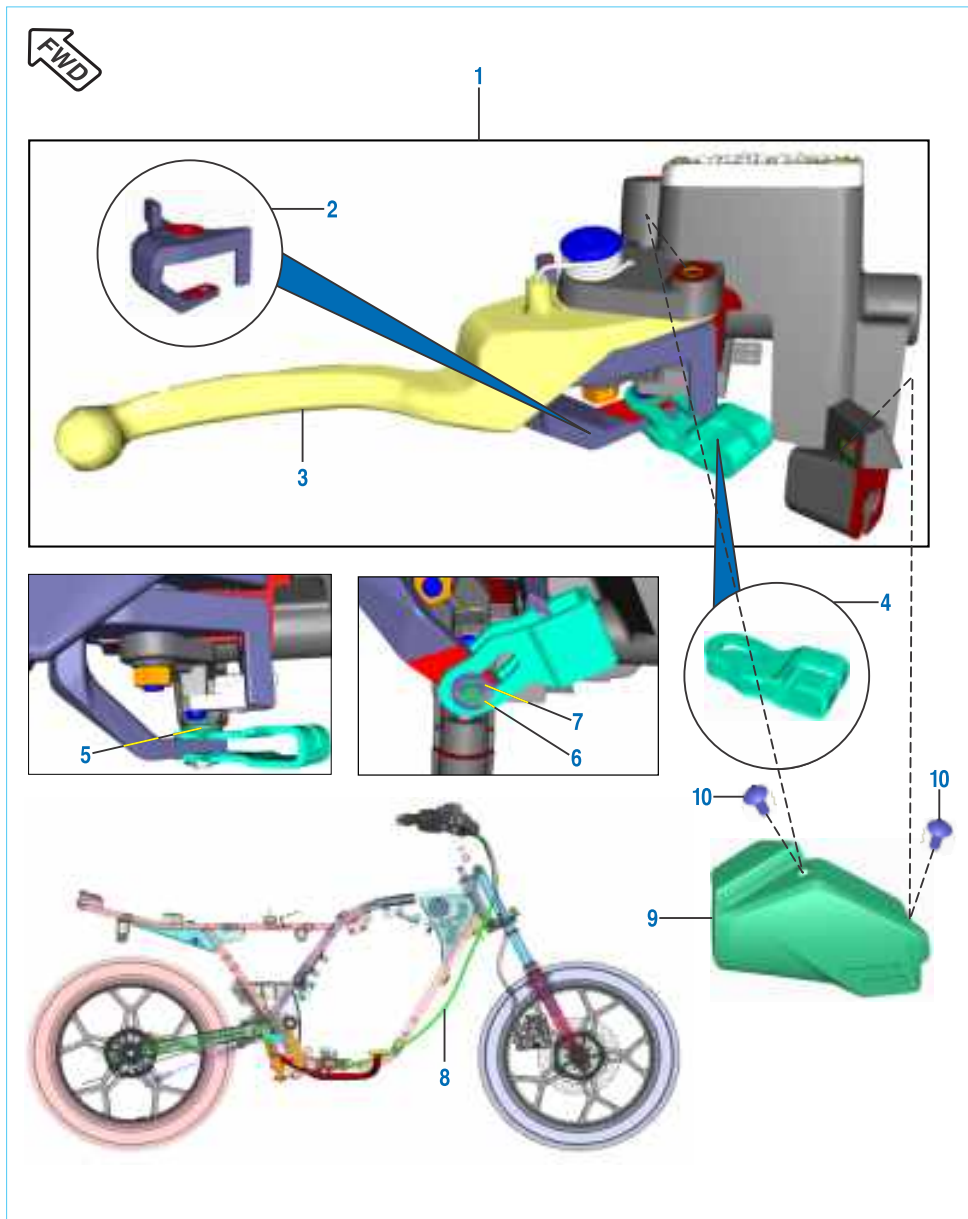
No.	Part No.	Description	Discover		Remarks
			110	125UG	
1	DJ 1510 42	Rod torque	1	--	
	DS 1510 25	Rod torque	--	1	
	JZ 1221 09	Rod torque	--	1	For CBS Model
2	DH 1510 29	Step bolt torque rod	1	1	
3	39 0789 12	Washer spring	1	1	
4	39 1540 11	Plain washer	1	1	
	LD B000 19	Plain washer	--	1	For CBS Model
	39 0694 15	Hex lock nut - M8 x 1.25	1	1	
6	39 0807 08	Pin snap	1	1	
7	PA 1610 14	Pedal assembly brake	1	1	
8	JA 1610 03	Pad brake pedal	1	1	
9	DD 1610 78	Damper	1	1	
10	PA 1610 00	Brake rod	1	--	
	JZ 1610 04	Brake rod	--	1	
	JZ 1610 45	Rod brake	1	1	For CBS Model
11	39 0198 11	Washer plain	1	1	
	39 0199 11	Plain washer	1	1	For CBS Model
12	39 0808 08	Split pin	1	1	
	KH AA20 15	Pin cotter	1	1	For CBS Model
	30 1910 38	Pin	1	1	
13	30 1910 38	Pin	1	1	
14	DG 1910 45	Washer	1	1	
15	KA DD06 12	Bolt flanged	1	1	
16	DS 1910 11	Brake pedal spring	1	1	
	JD 1610 02	Spring brake pedal	1	1	For CBS Model
17	JZ 1610 06	Sleeve brake return spring	1	1	
	JD 1610 06	Sleeve brake return spring	1	1	For CBS Model
18	30 1910 35	Spring	1	1	
19	15 1910 26	Pin	1	1	
20	JC 1910 06	Pin brake rear	1	1	For CBS Model
	30 1910 36	Brake adjuster nut	1	1	
21	30 1510 96	Hex bolt	1	1	
	30 1510 95	Hex bolt	1	1	For CBS Model
22	39 0789 12	Washer spring	1	1	
	KD DB10 18	Washer spring thin	1	1	For CBS Model
23	39 0794 15	hexagon nut - M10 x 1.25	1	1	
	KC AA10 08	Nut master	1	1	For CBS Model
24	LH B000 01	Pin snap	1	1	

CBS - Combined Braking system (Drum)



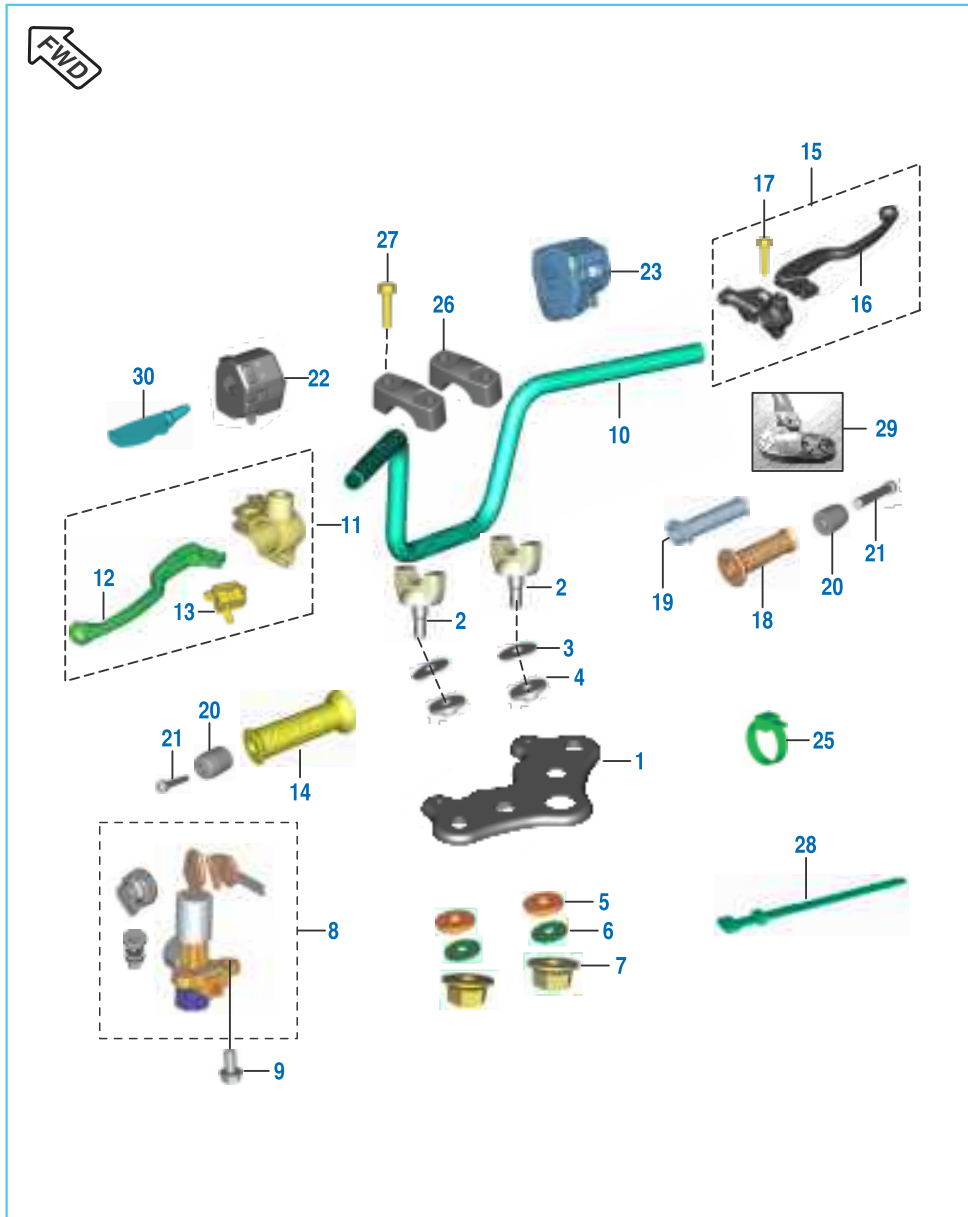
No.	Part No.	Description	Discover		Remarks
			110	125UG	
1	JZ 1610 49	Assembly bracket	1	1	
2	KA DD06 14	Bolt For Hook	1	1	
3	LE A000 03	Circlip external 6 x 0.7	1	1	
4	KA CA06 12	Bolt master KAC	2	2	
5	PA 1612 21	Cable brake front	1	1	
6	JZ 1610 43	Pedal assembly brake	1	1	
7	JA 1610 03	Pad brake lever	1	1	
8	JH 1610 38	Sleeve pivot brake pedal CBS	1	1	
9	LA D001 40	Bolt flange - M6 x 1 x L30	1	1	
10	JH 1610 35	Assembly force distribution	1	1	
11	JZ 1610 42	Cover unit distributor	1	1	
12	AL 2414 81	Screw stepped M6 x 1 x 11	4	4	
13	JZ 1817 03	Cover link CBS	1	1	
14	DU 1510 58	Spring	1	1	
15	JZ 1612 32	Cable Pedal-Unit Distribution	1	1	
16	JZ 1612 33	Cable Unit Distribution-Panel	1	1	
17	PA 1318 69	Hook	1	1	
18	KA DD06 12	Bolt For Hook	1	1	
19	PA 1318 68	Hook	1	1	
20	39 0239 11	Plain washer	1	1	

CBS - Combined Braking system (Disc)



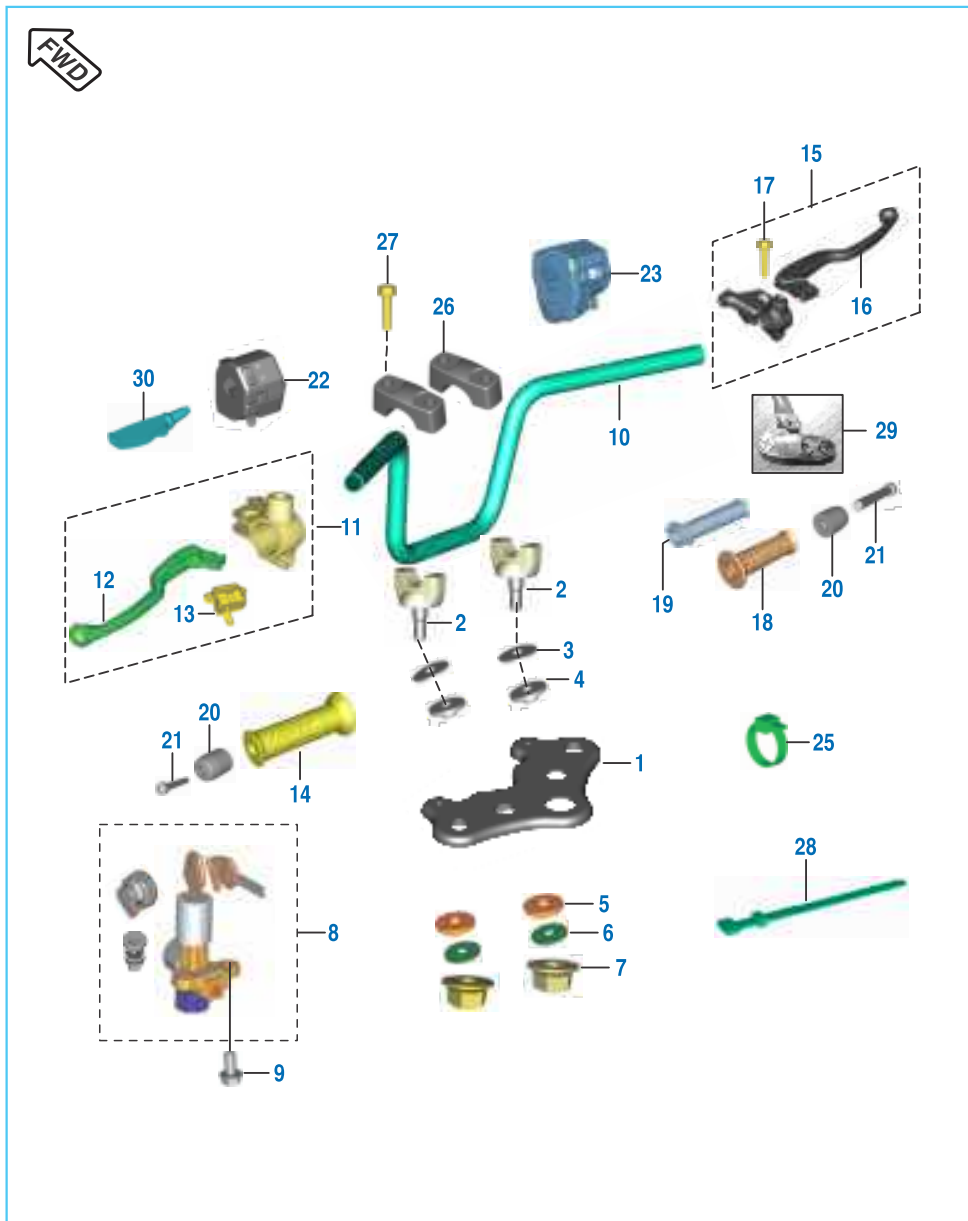
No.	Part No.	Description	Discover		Remarks
			110	125UG	
1	JH 1318 50	Cylinder assembly master front	-	1	
2	JH 1610 31	Lever brake front	-	1	
3	JH 1610 32	Lever main brake front	-	1	
4	JH 1610 29	Link CBS actuating	-	1	
5	LG C000 05	Rivet flat DIA. 6 x L13.5	-	1	
6	KD AB06 11	Washer plain small - 6.5 x 11.5	-	1	
7	KE CB50 06	Circlip type E	-	1	
8	JZ 1612 37	Cable pedal - cylinder master	-	1	
9	JD 1812 55	Cover lever brake	-	1	
10	LB U000 73	Screw truss - M5	-	1	

Handle Bar



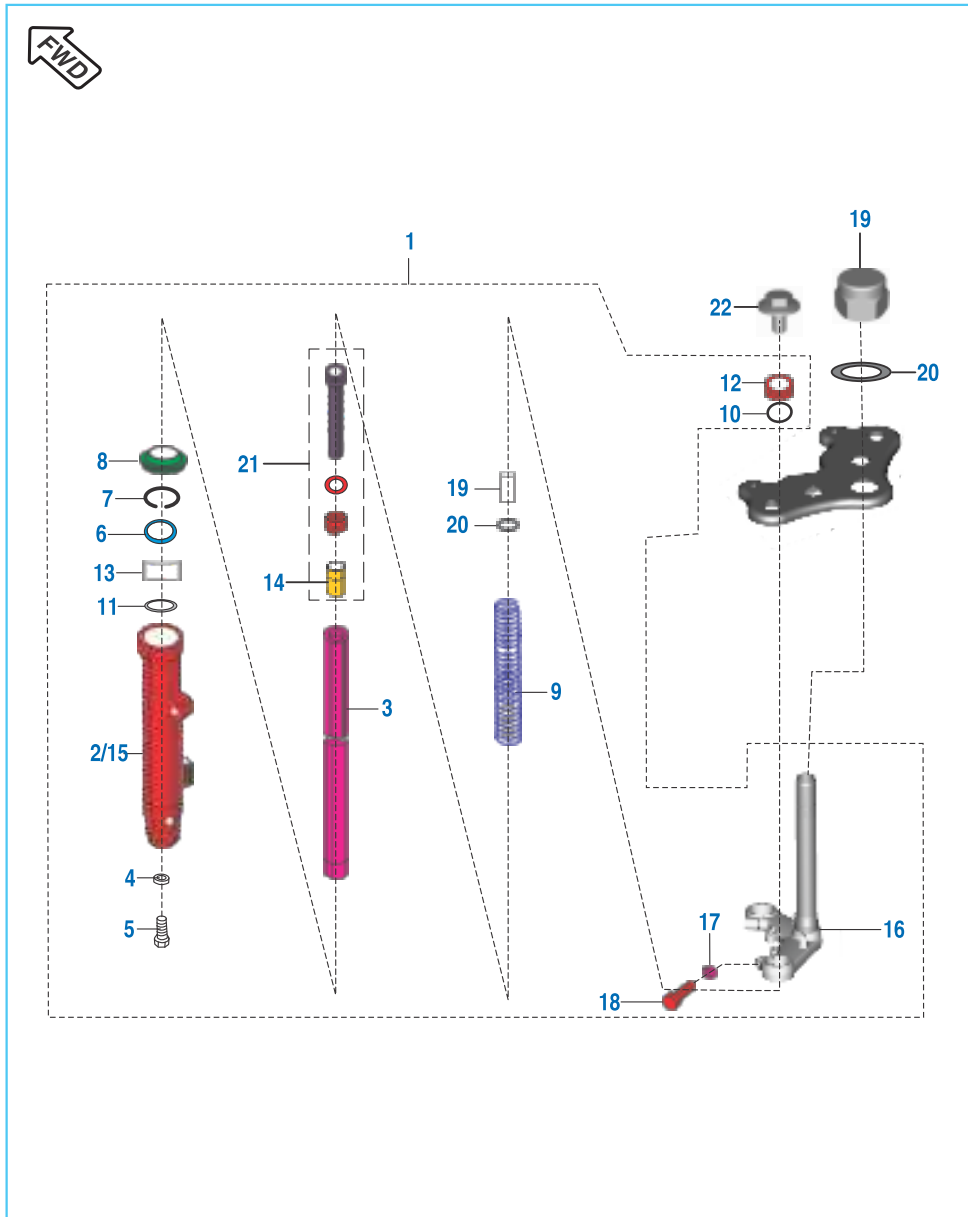
No.	Part No.	Description	Discover		Remarks
			110	125UG	
1	PA 1510 07	Holder fork upper	1	--	
	JZ 1510 23	Holder fork upper	--	1	
2	FD 1810 31	Holder assembly - handle - lower	2	--	
	DS 1810 06	Holder handle	--	2	
3	FD 1810 19	Washer - plain	2	--	
	DS 1810 07	Washer handle upper	--	2	
4	DF 1810 91	Damper - handle holder - upper	2	--	
	DS 1810 08	Damper handle upper	--	2	
5	DF 1810 92	Damper - handle holder - lower	2	--	
	DS 1810 09	Damper handle lower	--	2	
6	FD 1810 20	Washer - plain	2	--	
	DS 1810 10	Washer handle lower	--	2	
7	39 2249 15	Nut - nyloc :- M10	2	2	
8	JZ 2326 01	Set lock	1	1	
9	LA E000 21	Bolt flanged M6 x 12 precoated	2	2	
10	DS 1810 44	Handle	1	1	
11	JZ 1610 30	Lever holder assy LH	1	1	
12	DJ 1910 83	Lever grip left	1	1	
13	DJ 2012 46	Switch clutch VB - transil diode	1	1	
14	JZ 1510 64	Hand grip LH	1	1	
15	DX 1910 09	Lever assembly RH	1	1	
16	DD 1911 42	Lever - grip - right	1	1	
17	DL 1910 14	Stud-lever handle	1	1	
18	JZ 1510 65	Hand grip RH	1	1	
19	DX 1910 01	Throttle pipe	1	1	

Handle Bar



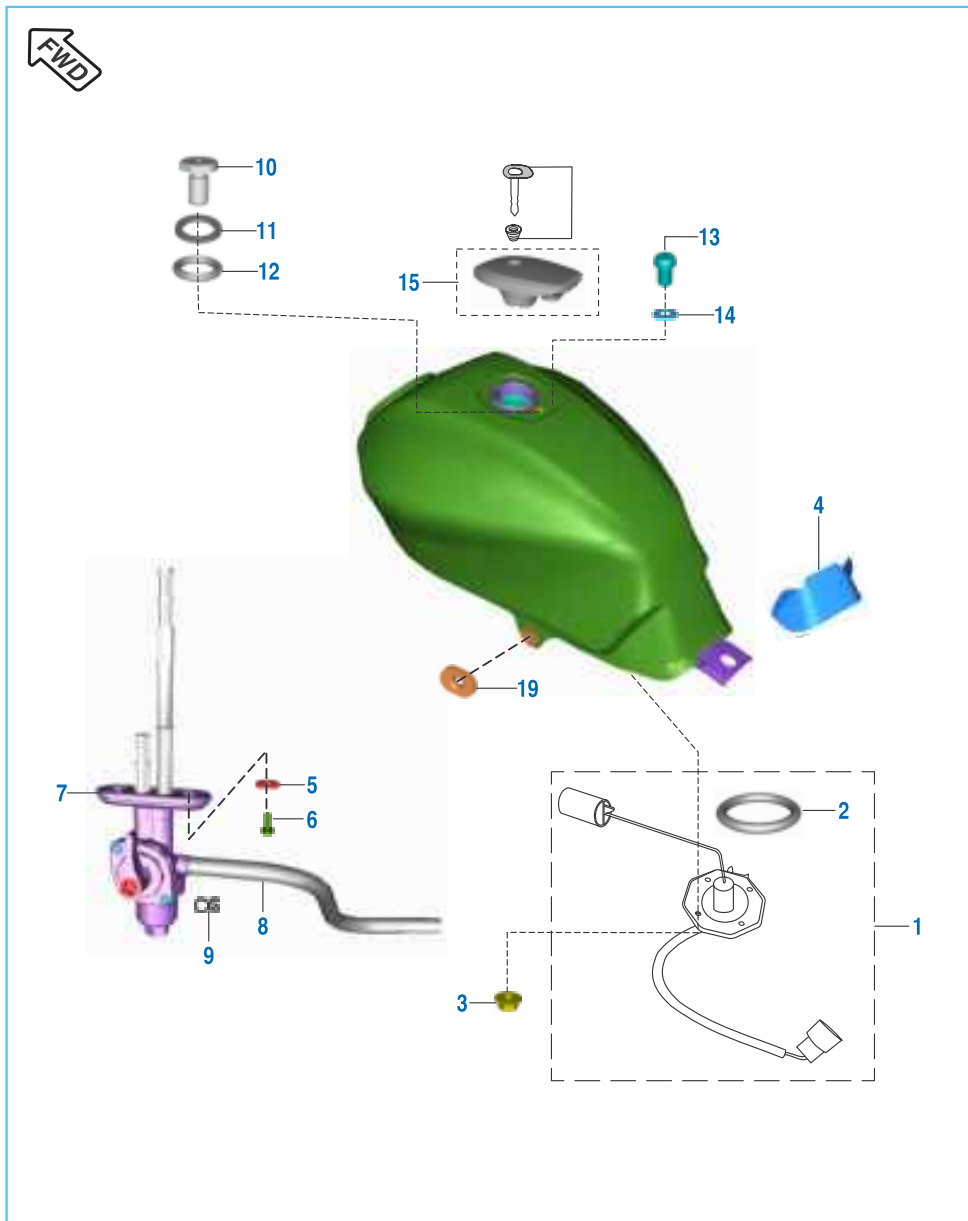
No.	Part No.	Description	Discover		Remarks
			110	125UG	
20	DH 1810 22	Handle bar weight	2	2	
21	39 2427 04	Socket head cap bolt - M6	2	2	
22	JB 4014 00	Control switch LH	1	1	
23	PF 4014 17	Switch control RH (ss)	1	1	
24	DJ 2011 08	Cable assy Front brake microswitch	-	1	N.I. Disc only
25	JD 4022 17	Band (L150)	2	2	
26	FD 1810 30	Holder - handle - upper	2	--	
	DS 1810 19	Handle holder - upper	-	2	
27	39 1074 04	Bolt - flanged - small	4	--	
	39 2582 04	Flange bolt M8	-	4	
	39 1714 04	Flange bolt M8	-	4	For CBS Model
28	30 1910 48	Band	1	1	
29	DD 2011 70	Front Brake Switch	1	1	
30	DS 1910 52	Lever boot LH	1	1	

Front Fork



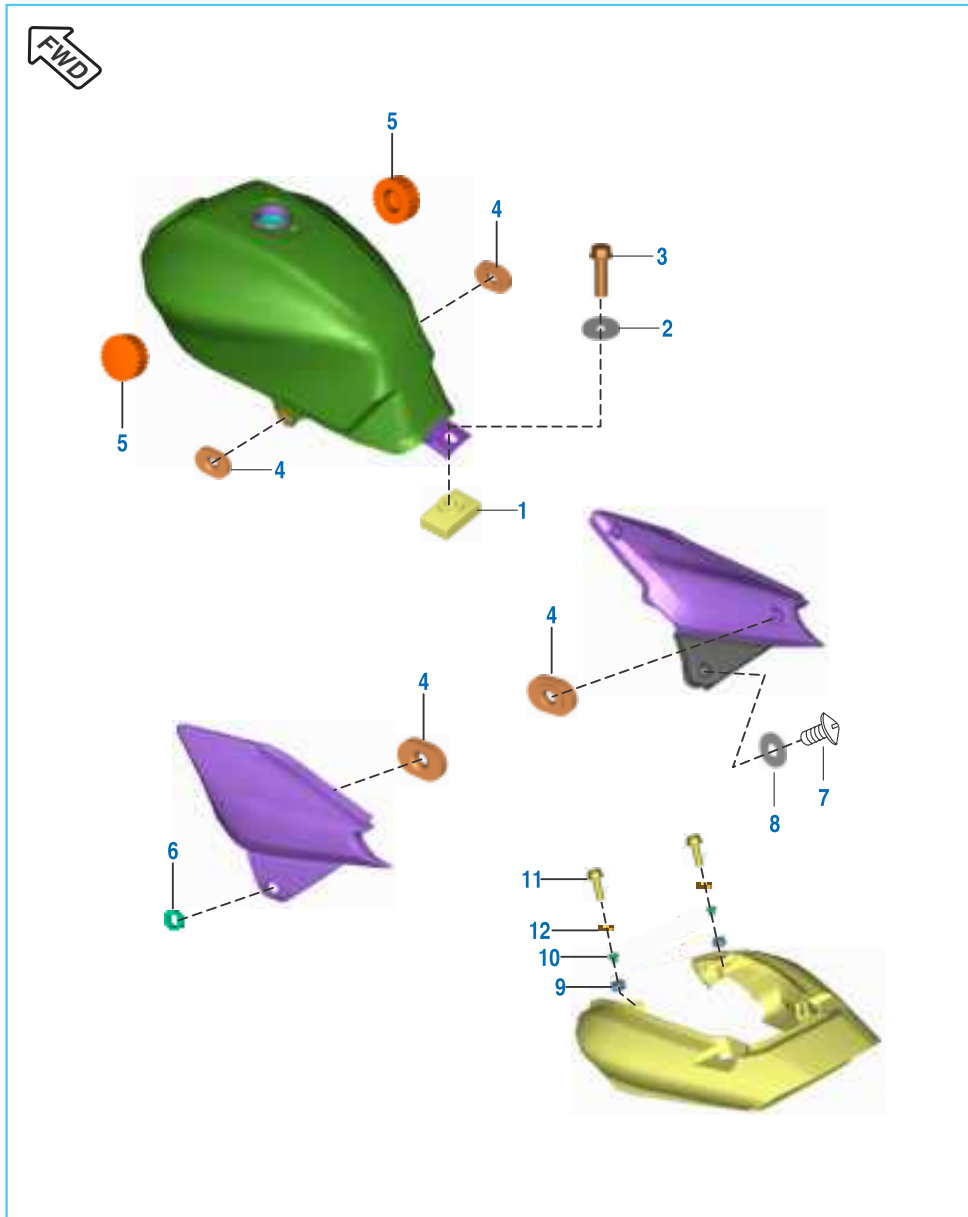
No.	Part No.	Description	Discover		Remarks
			110	125UG	
1	JZ 1210 69	Fork assembly front drum	1	1	
	JZ 1210 68	Fork assembly front - disc	-	1	Disc brake
	JZ 1210 90	Fork front	1	1	For CBS Model
2	JZ 1210 63	Leg outer LH	1	1	
	JZ 1210 59	Leg outer LH	-	1	Disc brake
	PA 1210 10	Tube outer LH P/C	-	1	For CBS Model
	JZ 1210 64	Leg outer RH	1	1	
3	JA 1510 13	Fork pipe spinning	2	2	
	30 1810 26	Gasket	2	2	
	PA 1210 65	Spring main	2	2	
4	30 1810 26	Gasket	2	2	
	30 1810 29	'O' ring	2	2	
5	KA CF08 30	Bolt socket	2	2	
	36 JZ02 09	Fork oil seal kit	2	2	
6	31 1811 08	Ring - snap	2	2	
	DD 1810 32	Seal - dust	2	2	
7	PA 1210 65	Spring main	2	2	
	30 1810 29	'O' ring	2	2	
8	JK 1210 09	Washer guide bush	2	2	
	DS 1810 12	Bolt fork	2	2	
9	JK 1210 07	Guide bush (dia. 30)	2	2	
	30 1810 19	Cap oil lock	1	1	
10	31 1810 19	Cap oil lock	-	1	Disc brake
	JZ 1210 64	Leg outer RH	1	1	
	JZ 1210 60	Outer tube RH	-	1	Disc brake
11	PA 1210 11	Tube outer RH P/C	-	1	For CBS Model
	JZ 1510 36	Under bracket assy	1	1	
12	39 0789 12	Washer spring	2	2	
	39 1181 01	Bolt hexagon head M8 x 40	2	2	
13	DS 1810 15	Cap nut fork	1	1	
	DS 1810 16	Plain washer	1	1	
14	36 PA01 88	Kit fork cylinder complete	1	1	
	59 0400 06	S. S. Hex head bolt (with washer)	-	--	

Petrol Tank Cap & Gauge Fuel



No.	Part No.	Description	Discover		Remarks
			110	125UG	
1	JN 4026 00	TFR tank unit	1	1	
2	JH 1710 17	'O' ring fuel gauge	1	1	
3	KC GA05 05	Nut hex flanged	4	4	
4	DS 1410 13	Seat tape	1	1	
5	39 0740 11	Washer (non metallic)	2	2	
6	DD 1412 27	Bolt flanged	2	2	
7	JZ 1718 09	Fuel cock	1	1	
8	JZ 1718 22	Pipe fuel - domestic	1	1	
9	33 1410 08	Clamp	2	2	
10	JZ 1710 20	Bush vapour	1	1	
11	JZ 1710 21	Washer vapour sealing	1	1	
12	JH 1710 49	O ring	1	1	
13	AP 1012 55	Screw pan M5 x 10 (pre coated)	2	2	
14	39 2179 24	Washer	2	2	
15	PF 1716 01	Cap fuel tank	1	1	

Fittings - Petrol Tank, Side Covers & Cover Seat



No.	Part No.	Description	Discover		Remarks
			110	125UG	
1	JD 1110 52	Grommet tank mtg.	1	1	
2	39 2424 11	Plain washer	1	1	
3	39 1956 04	Bolt flanged small	1	1	
	KA ED08 20	Bolt flanged small	-	1	For CBS Model
4	DS 1410 12	Grommet side cover FR	4	4	
5	DJ 1410 08	Damper front	2	2	
6	31 1610 18	Damper	1	1	
7	DG 1611 21	Screw	1	1	
8	39 1789 24	Washer nylon	1	1	
9	JL 1812 19	Grommet - 1 seat cowl	2	4	
10	JL 1812 46	Collar number plate mounting	2	2	
11	KA DD06 20	Bolt flanged	2	2	For CBS Model
	KA DF06 20	Bolt flanged	-	2	
12	KD BA06 13	Washer plain	2	2	

Speedometer Assembly



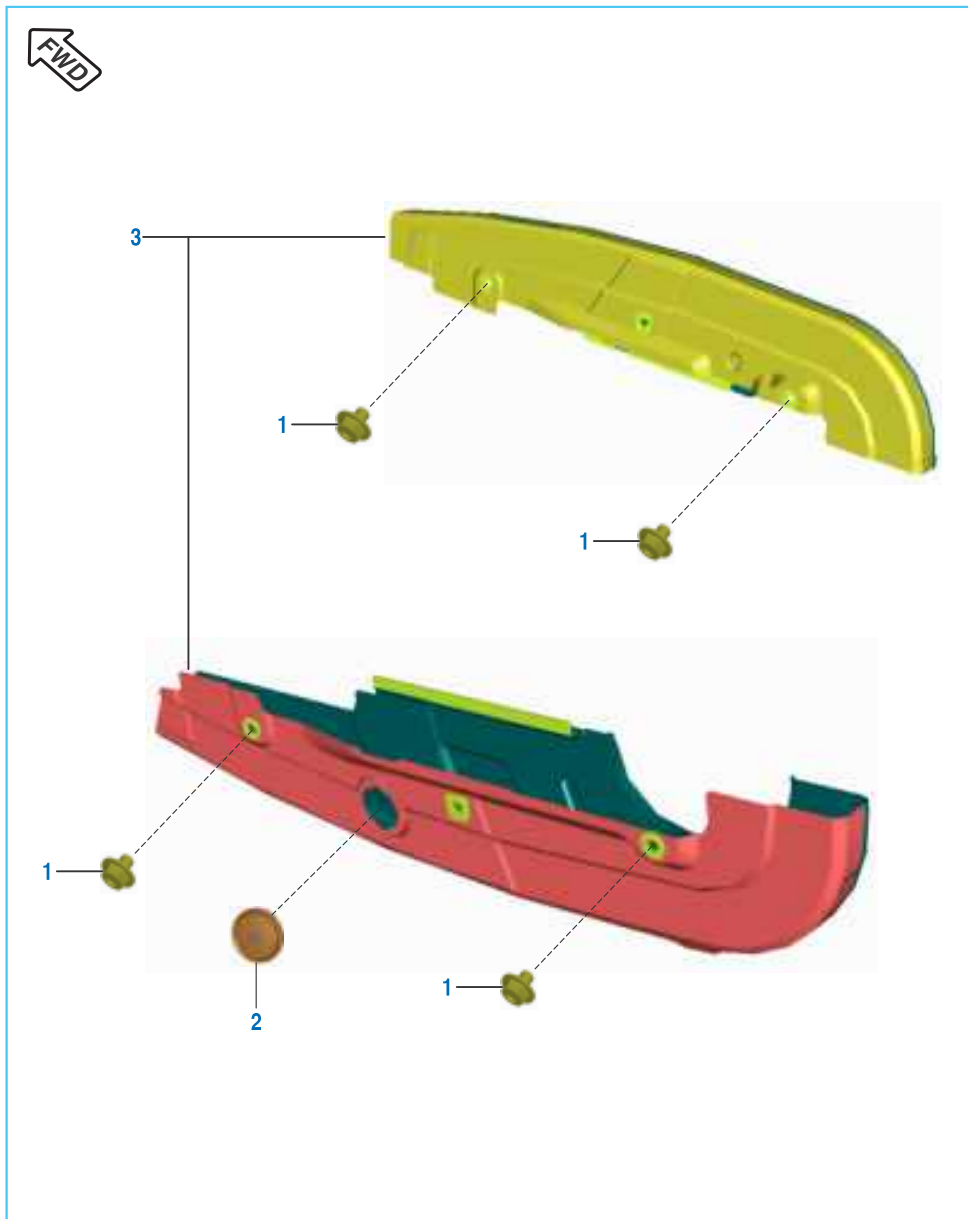
No.	Part No.	Description	Discover		Remarks
			110	125UG	
1	PA 4024 44	Assembly speedometer	1	1	
2	YP A260 08	Top cover with sealing ring	1	1	Pricol
	YP A260 11	Top cover with sealing ring	1	1	Varroc
3	PA 2334 51	Decal Speedometer	1	1	

Control Cables



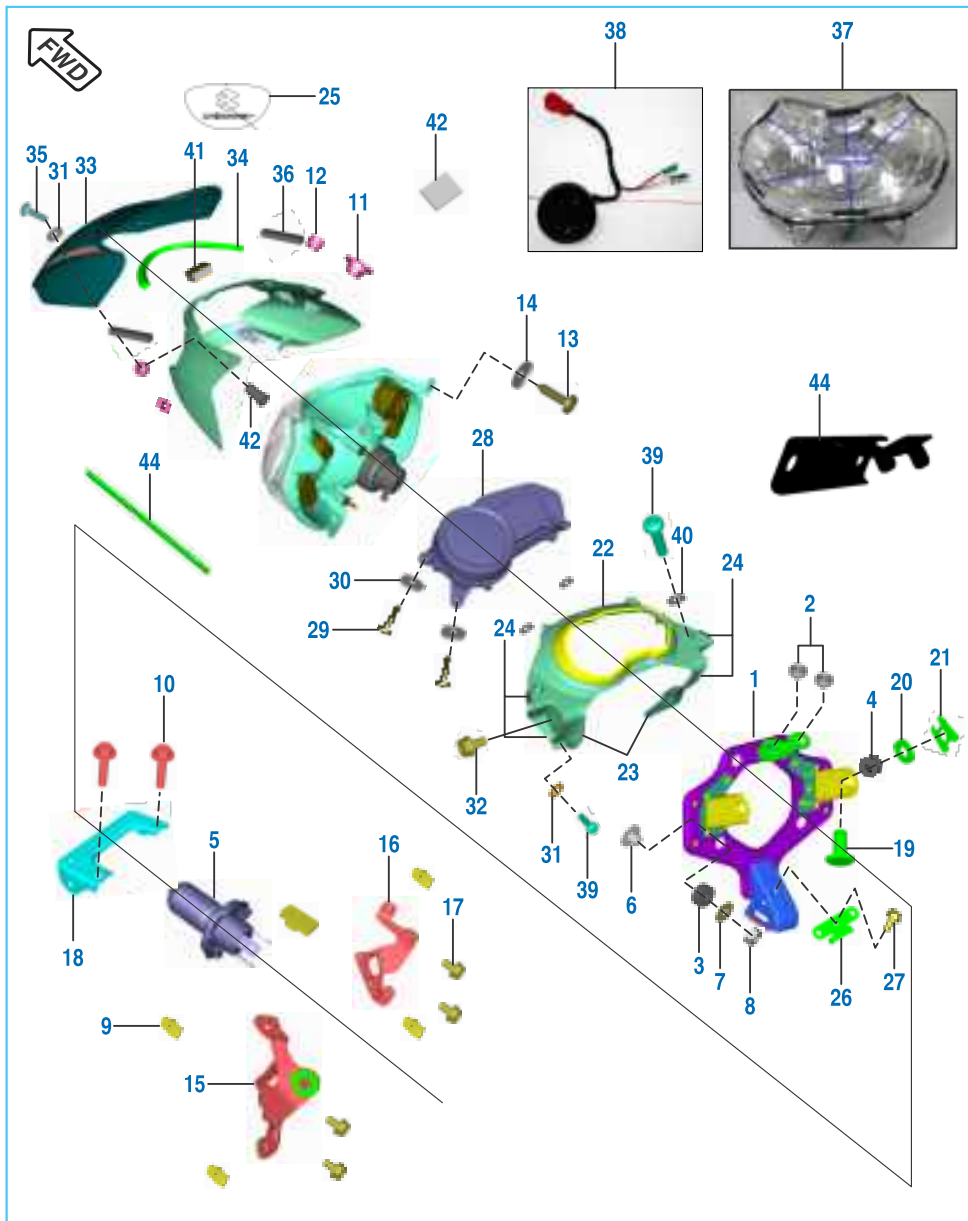
No.	Part No.	Description	Discover		Remarks
			110	125UG	
1	JZ 1612 24	Cable clutch	1	1	
2	PA 1612 02	Cable accelerator	1	--	
	JZ 1612 21	Cable accelerator	--	1	
	PA 1612 22	Cable throttle	1	--	For CBS Model
	JZ 1612 36	Cable throttle	--	1	For CBS Model
3	DS 1910 54	Brake cable	1	1	

Chain Case



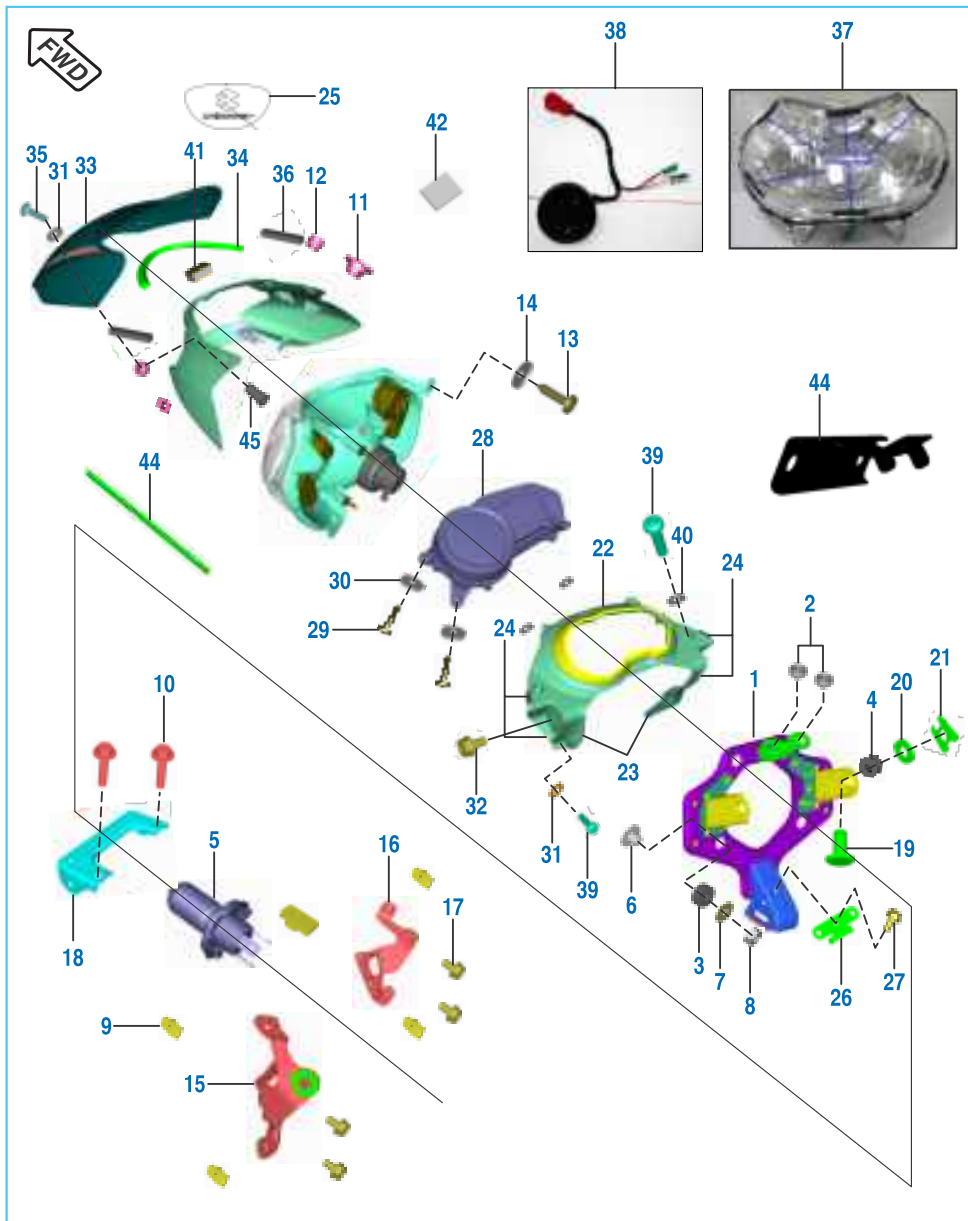
No.	Part No.	Description	Discover		Remarks
			110	125UG	
1	DH 1612 83	Bolt flanged M6	6	6	
2	15 1610 69	Rubber cap	1	1	
3	36 PA00 07	Kit chain case kit	1	--	
	36 DS40 20	Kit chain case kit	-	1	

Head Lamp & Fairing



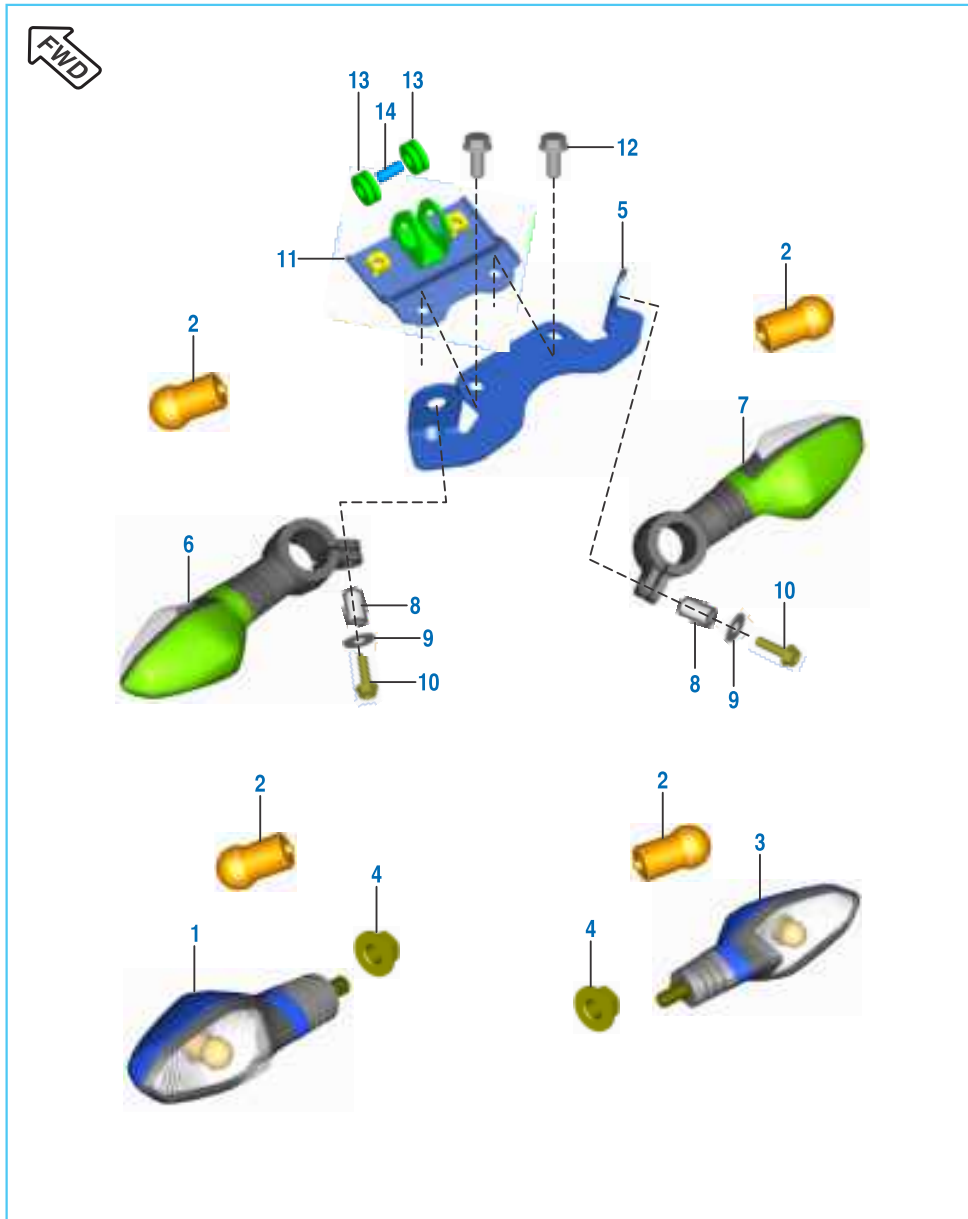
No.	Part No.	Description	Discover		Remarks
			110	125UG	
1	PA 1813 47	Structure fairing central	1	1	
2	PA 1822 01	Damper rubber fairing LH	2	2	
3	PA 1813 51	Grommet	4	4	
4	PA 1813 54	Grommet	2	2	
5	CL 2010 23	Lamp 12v 35 x 35w	1	1	
6	PA 1813 52	Sleeve	4	4	
7	JW 1812 29	Washer plain	4	4	
8	KC AA05 04	Nut hex thick	4	4	
9	35 1610 60	Nut - clip	5	5	
10	DS 1612 87	Special bolt fairing mtg	2	2	
11	JN 1810 10	Bush 1 - windshield mtg	2	2	
12	JN 1810 11	Bush 2 - windshield mtg	2	2	
13	KB RA42 16	Screw tapping pan cross	6	6	
14	39 0454 11	Plain washer	6	6	
15	PA 1813 48	Structure fairing LH	1	1	
16	PA 1813 49	Structure fairing RH	1	1	
17	KA DA06 12	Bolt flanged	4	4	
18	PA 1813 50	Bracket headlamp pivot	1	1	
19	PD 1812 39	Pin	2	2	
20	LD B000 83	Washer	2	2	
21	JG 1812 43	Securing clip - piv bolt - mask carr.	2	2	
22	PA 1812 84	Assembly speedo flap	1	1	
23	JN 1810 14	Foam speedo flap	2	2	
24	JN 1814 06	Bead speedo flap	4	4	
25	DS 1810 69	Decal Windshield	1	1	

Head Lamp & Fairing



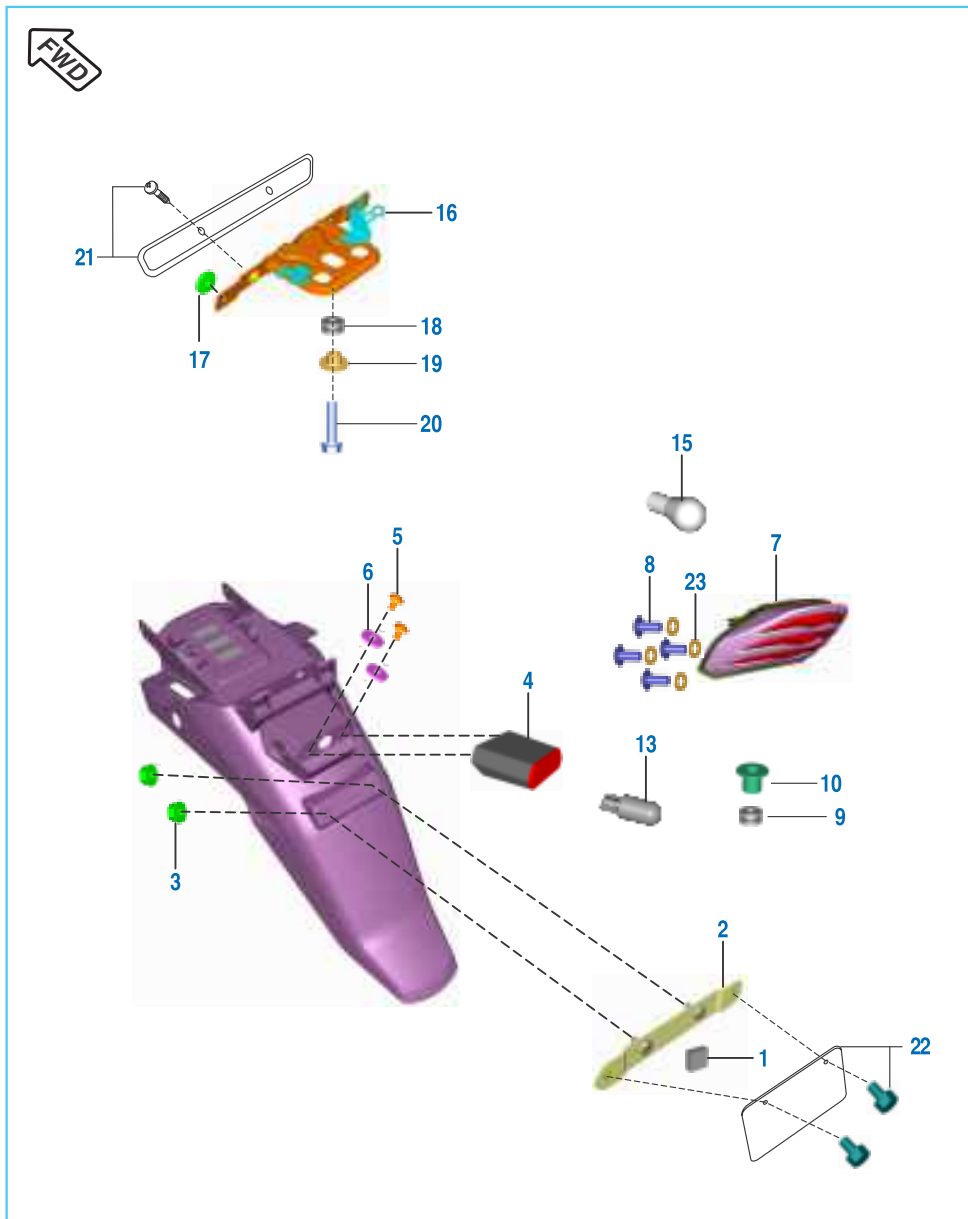
No.	Part No.	Description	Discover		Remarks
			110	125UG	
26	PA 1813 55	Bracket Harness	1	1	
27	KA DA05 10	Bolt Flanged	1	1	
	LA E000 14	Bolt flanged M5 x 10	1	1	For CBS Model
28	PA 4024 44	Speedometer	1	1	
29	KB RA42 16	Screw-pan+-	4	4	
	KB AA05 20	Screw-pan+-	-	4	For CBS Model
30	39 0454 11	Washer	4	4	
31	KD BA05 12	Washer plain	2	2	
32	KA DA06 14	Bolt flanged	2	2	
33	PA 1812 87	Wind shield assembly	1	1	
34	JN 1810 19	Foam fairing	1	1	
35	JZ 1812 06	Screw M5 x 21L	4	4	
36	JN 1810 20	Foam fairing II	2	2	
37	YP A260 06	Headlamp without bulb & with DRL	1	1	
38	YP A260 07	Wiring harness headlamp	1	1	
39	KB BA05 20	Screw pan cross	5	5	
40	39 2141 24	Washer, nylon	3	3	
41	JZ 1810 02	Damper assy fairing	1	1	
42	JZ 1810 01	Damper	1	1	
43	JN 1810 31	Foam fairing	1	1	
44	DS 1810 60	Foam side flap	1	1	
45	JZ 1810 03	Well nut M5 X 0.8P	4	4	For windshield

Indicator Light Assembly



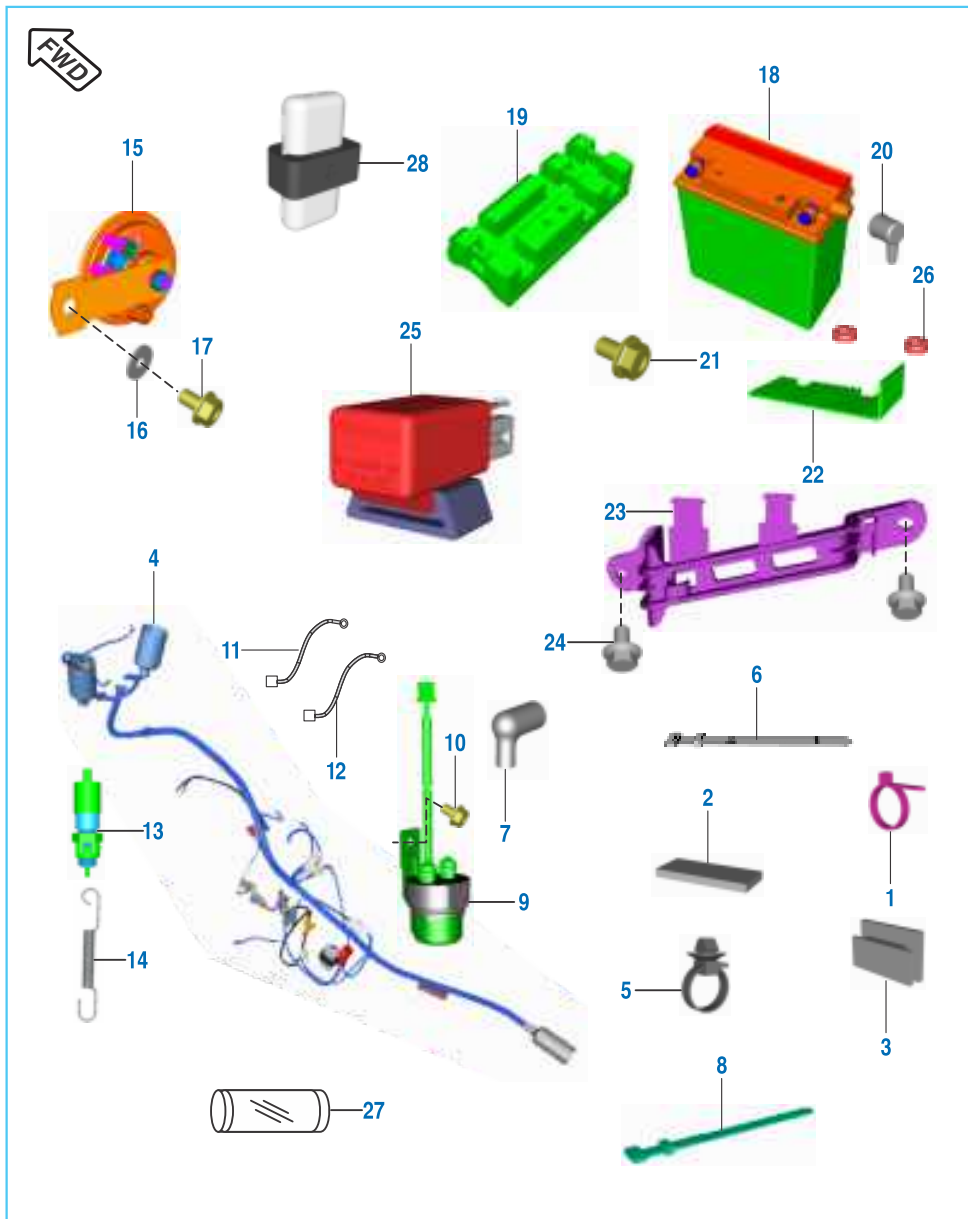
No.	Part No.	Description	Discover		Remarks
			110	125UG	
1	JZ 4010 73	Indicator rear LH	1	1	
2	GH 2010 12	Lamp 12V - 10W	4	4	
3	JZ 4010 74	Indicator rear RH	1	1	
4	39 1225 15	Hex nut flange - M10	2	2	
	KC GA10 10	Nut hex flanged	-	2	For CBS Model
5	JZ 1510 24	Bracket blinker Mtg	1	1	
6	JZ 4010 71	Indicator front LH	1	1	
7	JZ 4010 72	Indicator front RH	1	1	
8	31 2010 01	Collar	2	2	
9	39 1508 11	Washer plain	2	2	
10	KA Dd06 25	Bolt flanged	2	2	
11	PA 2328 02	Bracket fairing lower	1	1	
12	39 1943 04	Bolt flanged - M6	2	2	
13	PA 1813 56	Grommet	2	2	
14	PA 1813 53	Sleeve	1	1	

Tail Lamp Assembly, Front & Rear Number Plate



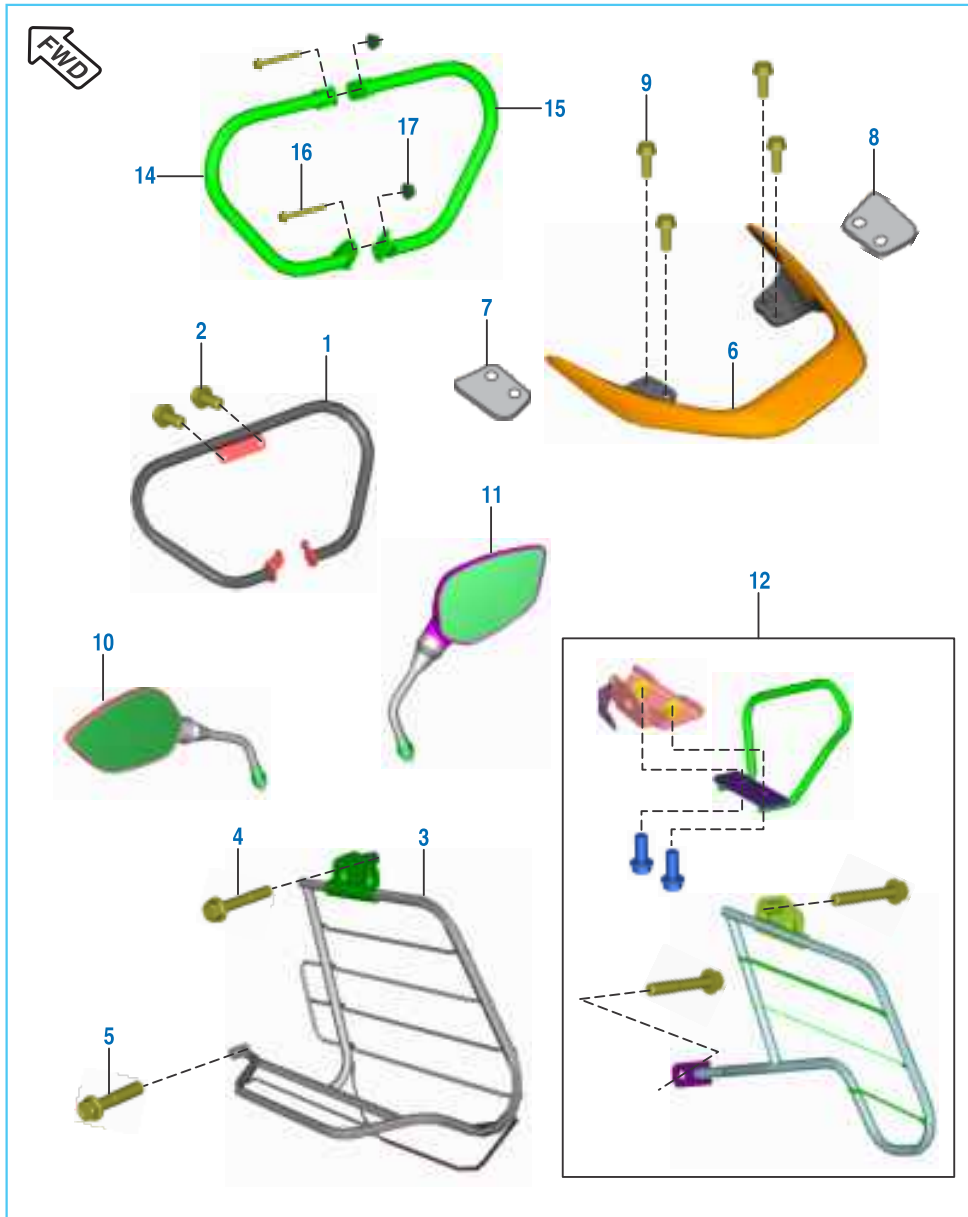
No.	Part No.	Description	Discover		Remarks
			110	125UG	
1	JZ 2328 05	Foam rear number plate	1	1	
2	DJ 1610 72	Bracket rear no. Plate	1	1	
3	39 2124 15	Flanged nut	2	2	
4	JW 4010 11	No. Plate lamp with 2P coupler	1	1	
5	39 0705 01	Screw M5	2	2	
	KB UA05 14	Screw truss	-	2	For CBS Model
6	39 0711 11	Plain washer	2	2	
7	JZ 4010 45	Tail lamp without bulb	1	1	
8	KB UA06 14	Screw pan cross-M6	4	4	
	LB U000 79	Screw truss - M6 x 1 x L14	4	4	For CBS Model
9	JL 1812 19	Grommet - 1 seat cowl	2	2	
10	JL 1812 46	Collar number plate mounting	2	2	
11	KA DD06 20	Bolt flanged	2	2	For CBS Model
	KA DF06 20	Bolt flanged	-	2	
12	KD BA06 13	Washer plain	2	2	
13	DL 1910 20	Bulb 3W	1	1	
14	JZ 4010 46	Bulb Holder with wiring	1	1	N.I.
15	20 2010 29	Bulb 21/5W	1	1	
16	PA 2328 03	Bracket Plate Number	1	1	
17	JZ 2328 14	Pad Rubber Number Plate Bkt.	2	2	
18	DT 1812 60	Grommet	2	2	
19	DT 1812 27	Sleeve	2	2	
20	LA D002 17	Bolt	2	2	
21	36 DT00 53	Kit Front Number Plate	1	1	
22	36 DT00 54	Kit Rear Number Plate	1	1	
23	KD BA06 13	Washer plain	4	4	

Electrical Equipments



No.	Part No.	Description	Discover		Remarks
			110	125UG	
1	JH 1710 47	Cable tie fixed length	1	1	
2	JG 4018 08	Foam battery bkt. 35 x 15 x 3	3	3	
3	JZ 1814 60	Rubber grommet	2	2	
4	JZ 4022 63	Harness wiring BS IV	1	1	
5	60 1114 20	Cable tie lock	3	3	
6	JZ 4022 18	Cable tie (white color l200)	1	1	
7	JB 4022 02	Grommet - ETS	1	1	
8	30 2010 64	Band	3		
9	JK 3516 00	Starter relay without nut	1	1	
10	KA DD06 10	Bolt flanged	1	1	
11	JV 4022 04	Cable assy ST relay to motor	1	1	
12	JV 4022 05	Cable assy battery to earth	1	1	
13	31 2010 79	Rear brake switch	1	1	
14	DS 1910 07	Spring brake switch	1	1	
15	JZ 4016 00	DC horn	1	1	
16	39 1507 11	Plain washer	1	1	
17	39 1940 04	Bolt flanged M8	1	1	
18	DS 2010 81	Battery MF wet charged 5Ah	1	1	
19	DX 1610 45	Battery arrester	1	1	
20	JD 4018 03	Adapter with 530 mm vent tube	1	1	
21	KA DD06 10	Bolt flanged	1	1	
22	DX 1610 32	Base battery 5 Ah	1	1	
23	DX 1610 44	Band battery 5 Ah	1	1	
24	39 2208 04	Bolt flanged M5 x 10	2	2	
25	KA DS05 10	Bolt flange - M5 x 0.8 x L10	-	2	For CBS Model
26	DS 2010 25	Assy DC flasher (SS)	1	1	
27	DT 1812 60	Grommet Battery Box	2	2	
28	GF 2010 53	Fuse 10A	2	2	
	DJ 2012 19	Assembly Fuse box	-	1	

Accessories & Grab Handle



No.	Part No.	Description	Discover		Remarks
			110	125UG	
1	JZ 2312 01	Guard leg	1	1	
2	KA DD08 14	Bolt flanged	2	2	
3	PA 2312 16	Guard saree	1	1	
4	KA DD08 50	Bolt flanged	1	1	
5	LA D001 31	Bolt flanged - M10x1.5xL50	1	1	
6	JZ 2314 09	Assembly grab handle	1	1	
7	DJ 1610 79	Foam LH for grab	1	1	
8	DJ 1610 80	Foam RH for grab	1	1	
9	KA DD08 25	Bolt flanged	4	4	
10	JD 2316 00	Mirror assly LH	1	1	
11	JD 2316 01	Mirror assly RH	1	1	
12	36 JZ02 01	Kit saree guard RH + Grab + Fitting	1	1	Refer Kit List
13	KA DD10 60	Bolt flanged	1	1	For CBS Model
14	PA 2312 17	Guard Leg LH	1	1	For CBS Model
15	PA 2312 18	Guard Leg RH	1	1	For CBS Model
16	KA DD08 70	Bolt flanged	2	2	For CBS Model
17	39 1970 15	Hex nut / flange - M8	2	2	For CBS Model

Tool Kit



No.	Part No.	Description	Discover		Remarks
			110	125UG	
1	DJ 2210 19	Tool kit	1	1	
2	DK 2210 24	Band Tool Kit	1	1	

Painted Parts and Decals



No.	Part No.	Description	Discover		Remarks
			110	125UG	
1	52 JZ18 16	Tank ebony black with decal	1	1	Common
	52 JZ18 17	Tank flame red with decal	1	1	Common
	52 JZ18 44	Tank Blue with decal	1	1	Common
	52 JZ20 40	Tank ebony blk with gray decal	1	1	Common
2	52 JZ18 11	Side cover LH ebony black	1	1	Common
3	52 JZ17 75	Side cover RH ebony black	1	1	Common
4	52 JZ18 23	Seat cowl ebony black with decal	1	--	110 UG
	52 JZ18 24	Seat cowl flame red with decal	1	--	110 UG
	52 JZ18 54	Seat cowl blue with decal	1	--	110 UG
	52 JZ20 46	Seat cowl ebony blk wh gray decal	1	--	110 UG
5	52 JZ17 98	Seat cowl ebony black with decal	--	1	125 UG
	52 JZ17 99	Seat cowl flame red with decal	--	1	125 UG
	52 JZ18 52	Seat cowl blue with decal	--	1	125 UG
	52 JZ20 42	Seat cowl ebon blk wh gray decal	--	1	125 UG
6	56 PA6J X3	Fender front ebony black	1	1	Common
	56 PA05 5N	Front fender blue	1	1	Common
	PA 7201 3F	Fender front flame red dis	1	1	Common
7	52 JZ18 04	Cowling ebony black with decal	1	1	Common
	52 JZ18 05	Cowling flame red with decal	1	1	Common
	52 JZ18 50	Cowling blue with decal	1	1	Common
	52 JZ20 44	Cowling ebony black wh gray decal	1	1	Common

Painted Parts and Decals



No.	Part No.	Description	Discover		Remarks
			110	125UG	
8	36 PA02 04	Kit tank decal ebony black	1	1	Common
	36 PA02 05	Kit tank decal flame red	1	1	Common
	36 PA02 06	Kit tank decal blue	1	1	Common
	36 PA02 12	Kit tank decal ebony gray	1	1	Common
9	36 PA01 98	Kit fairing decal ebony black	1	1	Common
	36 PA01 99	Kit fairing decal flame red	1	1	Common
	36 PA02 07	Kit fairing decal blue	1	1	Common
	36 PA02 13	Kit fairing decal eb gray	1	1	Common
10	PA 2334 82	Decal cover side LH ebony black	1	1	Common
11	PA 2334 83	Decal cover side RH ebony black	1	1	Common
12	36 PA02 01	Kit seat cowl decal e black	1	-	110 UG
	36 PA02 02	Kit seat cowl decal f red	1	-	110 UG
	36 PA02 09	Kit seat cowl decal Blue	1	-	110 UG
	36 PA02 14	Kit seat cowl decal ebony gray	1	-	110 UG
13	36 JZ01 93	Kit seat cowl decal e black	-	1	125 UG
	36 JZ01 94	Kit seat cowl decal f red	-	1	125 UG
	36 PA02 08	Kit seat cowl decal blue	-	1	125 UG
	36 JZ02 00	Kit seat cowl decal eb gray	-	1	125 UG
14	56JZ6A33	Holder handle sprint black	1	1	Common
15	PA 2335 09	Decal Anti Skid	2	2	CBS Model

Consumable Parts



No.	Part No.	Description	Supply Unit	Application
1	36 0010 61	Bajaj Genuine Oil 10W50	1.5 Ltr.	Dominar 400
	83 0204 11	Bajaj Genuine Oil 10W30*	1 Ltr.	100cc Models
	83 0203 34	Bajaj Genuine Oil 20W50* (BGO to be ordered to HPCL)	1 Ltr.	125cc and above models
2	36 0010 58	Bajaj Coolant Koolex*	1 Ltr.	Coolant Top-up/Replace
3	36 DH40 61	Brake Fluid DOT4	100 ml	Disc Brake Top-up/Replace
	83 0203 25	Brake Fluid DOT3	100 ml	Disc Brake Top-up/Replace
4	36 DH40 52	Silicon grease	3 gm	Caliper Pin
5	83 0204 73	Grease Petamo GHY 441	3 gm	Water Pump Seals
	36 DK00 45	Grease Molycoat	200 gm	For Starter Clutch Lubrication
6	36 0010 52	HP Lithon RR Grease	10 gm	Steering Race
7	83 0201 73	Multi Purpose Grease* (Local Purchase)	--	Lubrication of Clutch Lever, Brake Lever, Brake Pedal & Side Stand
8	36 0010 55	Chain Lubricant HP Make	1 kg	Non - Sealed Chain Lubrication
9	36 0010 62	Liquid gasket L5910	50 ml	Crankcase Joining
10	36 3140 04	Fork oil	160 ml	Front Fork Top-up/Replace\
	36 JG00 87	Fork oil 480 ml (Dominar UG)	480 ml	Front Fork Top-up/Replace\
11	36 DH40 29	Kit Spray Chain Lub	100 ml	Sealed Drive Chain
12	36 DH40 71	Wonderfill Chain Spray	100 ml	Sealed Drive Chain

* Marked items to be arrange from vendor or local market. Not applicable against chassis number.

Consumable Parts

<p>13</p> 	<p>14</p> 	<p>15</p> 
<p>16</p> 	<p>17</p> 	<p>18</p> 
<p>19</p> 	<p>20</p> 	<p>21</p> 
<p>22</p> 	<p>23</p> 	<p>24</p> 

No.	Part No.	Description	Supply Unit	Application
13	36 DH40 72	Rust Remover Spray Make - Zorric 88 & Wonder fill easiner	100 ml	For Removing Rust from Components
14	76 0109 36	Loctite Thread locker 243*	50 ml	For Screws & Bolts
15	76 0109 37	Loctite retaining compound 638*	50 ml	For Screws & Bolts
16	37 0043 52	Touch up paint slate grey*	440 ml	Touch up of Frame, Swing Arm & Step Holder
17	37 0043 53	Touch up paint Matte Silk black*	440 ml	Touch up of Grab Handle, Handle Bar & Handle Holder
18	36 0010 60	Kibatsu touch up paint*	400 cc	Touch up of Cylinder head, Block & Alloy Wheels
19	37 2240 18	Paint Bottle Schwartz Black*	--	P-200NS Frame Touch-up
20	75 6802 36 NA	Petroleum Jelly (Local Purchase) Distilled Water (Local Purchase)	-- 1 Ltr.	For Battery Terminals For Battery Level Top-up
21	NA	SAE 90 oil (Local Purchase)	-	
22	62 3050 84	WD40 Spray (Local Purchase)	400 ml	Electrical Contact Cleaning Spray
23	36 0010 56	Carburetor Cleaning Spray*		For Cleaning Carburetor
24	37 2540 39	Corrosion Protection Spray* Proto quick LTP902 (To be ordered on Vendor)	--	For Preventing vehicle parts from rusting

* Marked items to be arrange from vendor or local market. Not applicable against chassis number.

Kit List

DISCOVER 110 / 125 UG

Sr No	Kit Part No.	Kit Description	Consisting of Following Parts		
			Part No.	Description	Qty/Kit
1	36PA0187	Kit chain sprocket - D110	PA131210	Sprocket hub	1
			JZ141002	Chain assembly	1
			JZ531006	Gear primary drive	1
2	36JZ0197	Kit chain sprocket - D125	DX151023	Sprocket hub	1
			JZ141003	Chain assembly	1
			JZ551004	Sprocket output shaft	1
3	36PA0188	Kit fork cylinder comp. - Common	PA121064	Seat pipe	1
			30181020	Piston ring	1
			30181019	Cap oil lock	1
			DM181008	Rebound spring	1
4	36JH0029	Kit valve repair - D125	28101129	Spring - seat	2
			CB101009	Seal - valve stem	2
			JZ511202	Spring valve	2
			DY511202	Retainer valve	2
			CB101022	Cotter valve	4
5	36JV0006	Kit valve repair - D110	28101129	Spring - seat	2
			CB101009	Seal - valve stem	2
			JA511202	Spring valve	2
			DY511202	Retainer valve	2
			CB101022	Cotter valve	4
6	36JK0064	Kit cylinder block & piston - D110	PF521224	Piston assembly	1
			PF521027	Block cylinder	1
7	36JK0065	Kit piston rings - D110	PF521227	Ring piston second	1
			PF521228	Ring piston oil	1
			PF521226	Ring piston top	1
8	36JZ0183	Kit cylinder block & piston - D125	JH521207	Piston assembly	1
			PF521029	Block cylinder	1
9	36JH0032	Kit piston rings - D125	PA521225	Ring piston second	1
			PA521226	Ring piston oil	1
			PA521227	Ring piston top	1
10	36JZ0184	Kit primary drive & driven - Common	JZ531006	Gear primary drive	1
			PF551431	Clutch hsg. assly comp	1
11	36PA0007	Kit chain case kit - D110	PA181200	Chain case upper assy	1
			PA181202	Chain case lower assy	1
12	36DS4020	Kit chain case kit - D125	DS161269	Chain case upper assy	1
			JZ181209	Chain case lower assy	1
13	36DU4076	Kit valve intake + exhaust - D110	PF511212	Valve intake	1
			PF511213	Valve exhaust	1

Kit List

DISCOVER 110 / 125 UG

Sr No	Kit Part No.	Kit Description	Consisting of Following Parts		
			Part No.	Description	Qty/Kit
14	36JH0028	Kit valve intake + exhaust - D125	PF511212	Valve intake	1
			PF511213	Valve exhaust	1
15	JH541009	Assembly crankcase RH - D110	JH541010	Crankcase RH	1
			59200036	6203 HN3 C3 ball bearing	1
			JA541010	Stopper plate input bearing	1
			DH101380	Screw pan head (M6x12)	1
			KPBF6201	Bearing ball c3 clearances	1
			PF541018	Bushing drum	1
			JA541012	Guide kick	1
			DH101639	Lock screw earthing	2
			JA541014	Bolt shift change	1
			BA102004	Plug	1
			JE541028	Pin	1
			16	JE541064	Assembly crankcase RH - D125
59200036	6203 HN3 C3 ball bearing	1			
JA541010	Stopper plate input bearing	1			
DH101380	Screw pan head (M6x12)	1			
KPBF6201	Bearing ball c3 clearances	1			
PF541018	Bushing drum	1			
JA541012	Guide kick	1			
DH101639	Lock screw earthing	2			
JA541014	Bolt shift change	1			
BA102004	Plug	1			
JE541028	Pin	1			
17	PF541029	Assembly crankcase LH - D110			
			39256220	Needle roller brg.	1
			39171519	Oil seal 22 x 35 x 7	1
			59200036	6203 HN3 C3 ball bearing	1
			DH101264	Gasket neutral switch	1
			31201081	Switch complete	1
			JA541005	Bush bendix	1
			39219019	Oil seal	1
18	PF541066	Assembly crankcase LH - D110	PF541067	Crankcase LH	1
			39256220	Needle roller brg.	1
			39171519	Oil seal 22 x 35 x 7	1
			59200036	6203 HN3 C3 ball bearing	1
			DH101264	Gasket neutral switch	1
			31201081	Switch complete	1
			JA541005	Bush bendix	1
			39219019	Oil seal	1
19	36314005	Kit Steering cone - Common	DH181023	Bearing cone (fork)	1
			DH181025	Bearing cone	1
			DH181026	Bearing race	2
			36001052	Grease lethon RR3 -10gm	1
			36314002	Kit ball steel steering	1

Kit List

DISCOVER 110 / 125 UG

Sr No	Kit Part No.	Kit Description	Consisting of Following Parts		
			Part No.	Description	Qty/Kit
20	36PF0061	Kit cam chain guide - D110	JE521019	Guide cam chain tight	1
			JE541016	Guide cam chain slack side	1
21	36PA0115	Kit cam chain guide - D125	JE521019	Guide cam chain tight	1
			JE541030	Guide cam chain slack side	1
22	36DU1007	Boss kick set - D110	30101233	Boss	1
			30101234	Spring	1
			30101236	Ball - steel	1
			30101235	Pin	1
			39085517	Circlip - E-type	1
23	36JH0009	Boss kick set - D125	PA621202	Boss	1
			30101234	Spring	1
			30101236	Ball - steel	1
			30101235	Pin	1
			39085517	Circlip - E-type	1
24	36JB4031	Kit assly clutch cover - D110	BA102004	Plug	1
			JB541201	Jet clutch cover disco M	1
			31101239	Thread sealant (Loctite 638)	1
			56PA1V3V	Cover clutch - Slate gray (Jb541222)	1
			31101064	Plug	1
25	36JZ0186	Kit assly clutch cover - D125	BA102004	Plug	1
			JE541245	Jet clutch cover	1
			31101239	Thread sealant (Loctite 638)	1
			56JZ1V3V	Cover clutch - Slate gray (Pa541233)	1
			31101064	Plug	1
26	36PA0198	Kit fairing decal ebony black	PA233464	Decal fairing LH ebony black	1
			PA233465	Decal fairing RH ebony black	1
27	36PA0199	Kit fairing decal flame red	PA233466	Decal fairing LH flame red	1
			PA233467	Decal fairing RH flame red	1
28	36PA0201	Kit seat cowl decal e black	PA233470	Decal cowl seat front LH e black	1
			PA233471	Decal cowl seat front RH e black	1
			PA233472	Decal cowl seat rear LH e black	1
			PA233473	Decal cowl seat rear RH e black	1
29	36PA0202	Kit seat cowl decal f red	PA233474	Decal cowl seat front LH f red	1
			PA233475	Decal cowl seat front RH f red	1
			PA233476	Decal cowl seat rear LH f red	1
			PA233477	Decal cowl seat rear RH f red	1
30	36PA0203	Kit seat cowl decal c blue	PA233478	Decal cowl seat front LH blue	1
31	36JZ0193	Kit seat cowl decal e black - 125UG	PA233470	Decal cowl seat front LH e black	1
			PA233471	Decal cowl seat front RH e black	1
			JZ233510	Decal cowl seat rear LH e black	1

Kit List

DISCOVER 110 / 125 UG

Sr No	Kit Part No.	Kit Description	Consisting of Following Parts		
			Part No.	Description	Qty/Kit
			JZ233511	Decal cowl seat rear RH e black	1
32	36JZ0194	Kit seat cowl decal f red - 125UG	PA233474	Decal cowl seat front LH f red	1
			PA233475	Decal cowl seat front RH f red	1
			JZ233512	Decal cowl seat rear LH f red	1
			JZ233513	Decal cowl seat rear RH f red	1
33	36PA0204	Kit tank decal ebony black	PA233452	Decal tank upper LH ebony black	1
			PA233453	Decal tank upper RH ebony black	1
			PA233500	Decal tank middle LH e black	1
			PA233501	Decal tank middle RH e black	1
			PA233454	Decal tank lower LH ebony black	1
			PA233455	Decal tank lower RH ebony black	1
34	36PA0205	Kit tank decal flame red	PA233456	Decal tank upper LH flame red	1
			PA233457	Decal tank upper RH flame red	1
			PA233502	Decal tank middle LH flame red	1
			PA233503	Decal tank middle RH flame red	1
			PA233458	Decal tank lower LH flame red	1
			PA233459	Decal tank lower RH flame red	1
35	36PA0206	Kit tank decal blue	PA233460	Decal tank upper LH blue	1
			PA233461	Decal tank upper RH blue	1
			PA233504	Decal tank middle LH blue	1
			PA233505	Decal tank middle RH blue	1
			PA233462	Decal tank lower LH blue	1
			PA233463	Decal tank lower RH blue	1
36	36PA0207	Kit fairing decal blue	PA233468	Decal fairing LH blue	1
			PA233469	Decal fairing RH blue	1
37	36PA0208	Kit seat cowl decal blue	PA233478	Decal cowl seat front LH blue	1
			PA233479	Decal cowl seat front RH blue	1
			JZ233514	Decal cowl seat rear LH blue	1
			JZ233515	Decal cowl seat rear RH blue	1
38	36PA0209	Kit seat cowl decal blue	PA233478	Decal cowl seat front LH blue	1
			PA233479	Decal cowl seat front RH blue	1
			PA233480	Decal cowl seat rear LH blue	1
			PA233481	Decal cowl seat rear RH blue	1
39	PA233482	Decal cover side LH ebony black			1
40	PA233483	Decal cover side RH ebony black			1
41	36 JZ02 01	Kit saree guard + Grab + Fitting	JZ 2314 19	Grab handle front	1
			JZ 2312 33	Guard saree RH	1
			JZ 2314 20	Bracket grab handle front	1
			KA ED06 14	Bolt Flange small	2
			KA DD08 50	Bolt flanged	1
			KA DD10 55	Bolt flanged	1

Parts Index

DISCOVER 110 / 125 UG

Part Number	Figure No.	Page No.	Part Number	Figure No.	Page No.
01 1009 05	17	22	30 2010 64	8	112
01 1701 22	29	80	31 1011 73	5	14
15 1610 69	2	102	31 1510 18	3	78
15 1910 26	19	82	31 1510 29	15	80
20 2010 29	15	110	31 1510 60	28	80
22 1502 41	12	34	31 1610 18	6	96
22 1504 51	5	62	31 1810 19	14	92
24 1213 65	9	38	31 1811 08	7	92
28 1011 74	22	40	31 2010 01	8	108
30 1011 42	10	28	31 2010 79	13	112
30 1011 95	7	30	31 2010 81	6	26
30 1410 31	8	62	33 1410 08	9	94
30 1510 05	8	78	35 1610 60	9	104
30 1510 11	6	78	36 0010 52	4	122
30 1510 32	2	70	36 0010 52	6	122
30 1510 33	3	70	36 0010 55	8	122
30 1510 33	8	72	36 0010 56	23	124
30 1510 38	11	70	36 0010 58	2	122
30 1510 68	8	70	36 0010 60	18	124
30 1510 69	9	70	36 0010 61	1	122
30 1510 69	11	78	36 0010 62	9	122
30 1510 75	3	78	36 3140 04	10	122
30 1510 95	21	82	36 3140 05	9	56
30 1510 96	21	82	36 DH40 29	11	122
30 1810 19	14	92	36 DH40 61	3	122
30 1810 26	4	92	36 DH40 71	12	122
30 1810 29	10	92	36 DH40 72	13	124
30 1910 35	18	82	36 DJ40 33	10	76
30 1910 36	20	82	36 DK00 76	5	48
30 1910 38	13	82	36 DS40 20	3	102
30 1910 48	28	90	36 DT00 53	21	110

Parts Index

DISCOVER 110 / 125 UG

Part Number	Figure No.	Page No.	Part Number	Figure No.	Page No.
36 DT00 54	22	110	36 JZ02 08	8	40
36 DU10 07	15	34	36 JZ02 09	6	92
36 DU40 76	6	8	36 PA0 193	15	36
36 JB40 31	1	28	36 PA00 07	3	102
36 JH00 09	15	34	36 PA00 13	5	36
36 Jh00 28	6	8	36 PA01 15	16	10
36 JH00 29	5	8	36 PA01 86	13	36
36 JH00 32	6	12	36 PA01 87	26	80
36 JK00 64	5	12	36 PA01 88	21	92
36 JK00 65	6	12	36 PA01 89	6	36
36 JV00 06	5	8	36 PA01 90	4	36
36 JZ00 16	5	38	36 PA01 91	7	36
36 JZ01 40	8	70	36 PA01 92	3	36
36 JZ01 40	28	80	36 PA01 94	2	36
36 JZ01 83	5	12	36 PA01 98	9	120
36 JZ01 84	15	32	36 PA01 99	9	120
36 JZ01 86	1	28	36 PA02 01	12	120
36 JZ01 87	6	38	36 PA02 02	12	120
36 JZ01 88	4	38	36 PA02 04	8	120
36 JZ01 89	3	38	36 PA02 05	8	120
36 JZ01 90	15	38	36 PA02 06	8	120
36 JZ01 91	7	38	36 PA02 07	9	120
36 JZ01 92	13	38	36 PA02 08	13	120
36 JZ01 93	13	120	36 PA02 09	12	120
36 JZ01 94	13	120	36 PA02 10	2	24
36 JZ01 96	2	38	36 PA02 11	2	24
36 JZ01 97	26	80	36 PA02 12	8	120
36 JZ01 98	14	32	36 PA02 13	9	120
36 JZ01 99	3	32	36 PA02 14	12	120
36 JZ02 00	13	120	36 PD00 45	11	76
36 JZ02 01	12	114	36 PF00 61	16	10

Parts Index

DISCOVER 110 / 125 UG

Part Number	Figure No.	Page No.	Part Number	Figure No.	Page No.
36 PF01 28	1	26	39 0789 12	22	82
37 0043 52	16	124	39 0789 12	17	92
37 0043 53	17	124	39 0794 15	17	80
37 2240 18	19	124	39 0794 15	23	82
37 2540 39	24	124	39 0798 15	11	64
39 0071 04	12	40	39 0798 15	12	78
39 0198 11	11	82	39 0801 15	21	80
39 0199 11	11	82	39 0807 08	6	82
39 0211 11	9	64	39 0808 08	12	82
39 0239 11	20	84	39 0849 14	10	48
39 0258 11	17	58	39 0855 17	13	34
39 0263 12	18	70	39 0987 17	4	16
39 0292 15	14	58	39 0987 17	4	18
39 0422 15	3	66	39 0988 15	21	80
39 0454 11	9	58	39 0992 06	2	20
39 0454 11	14	104	39 0993 11	7	34
39 0454 11	30	106	39 0999 06	13	24
39 0553 02	10	58	39 0999 06	5	46
39 0594 17	4	10	39 1000 06	2	12
39 0694 15	5	82	39 1000 06	11	26
39 0705 01	5	110	39 1001 20	9	32
39 0711 11	6	110	39 1041 19	5	28
39 0714 11	2	58	39 1054 11	11	44
39 0722 11	7	78	39 1074 04	27	90
39 0723 11	7	78	39 1181 01	18	92
39 0738 17	4	34	39 1225 15	7	54
39 0740 11	5	94	39 1225 15	4	108
39 0745 01	19	70	39 1283 21	4	6
39 0782 11	17	70	39 1283 21	18	36
39 0789 12	4	58	39 1336 15	5	58
39 0789 12	3	82	39 1358 15	20	58

Parts Index

DISCOVER 110 / 125 UG

Part Number	Figure No.	Page No.	Part Number	Figure No.	Page No.
39 1507 11	16	112	39 2443 11	4	28
39 1508 11	9	108	39 2447 04	10	78
39 1540 11	4	82	39 2492 11	4	44
39 1553 04	7	32	39 2539 21	13	6
39 1660 05	2	6	39 2562 20	3	26
39 1671 21	14	28	39 2566 11	23	80
39 1714 04	27	90	39 2567 11	22	80
39 1715 19	2	26	39 2582 04	27	90
39 1765 11	11	40	39 2600 11	8	32
39 1779 02	16	40	39 2608 01	5	6
39 1789 24	8	96	39 2669 21	10	10
39 1940 04	17	112	39 0972 04	11	48
39 1943 04	12	108	52 JA00 28	12	32
39 1956 04	3	96	52 JA00 29	10	24
39 1970 15	3	54	52 JB00 45	12	58
39 1970 15	17	114	52 JB55 04	8	6
39 1988 20	3	10	52 JZ02 64	1	22
39 2060 04	16	58	52 JZ17 62	8A	6
39 2124 15	3	110	52 JZ17 75	3	118
39 2141 24	40	106	52 JZ17 98	5	118
39 2179 24	14	94	52 JZ17 99	5	118
39 2190 19	8	26	52 JZ18 04	7	118
39 2208 04	24	112	52 JZ18 05	7	118
39 2240 20	14	80	52 JZ18 11	2	118
39 2249 15	7	88	52 JZ18 16	1	118
39 2295 15	10	44	52 JZ18 17	1	118
39 2349 11	3	58	52 JZ18 23	4	118
39 2408 17	3	34	52 JZ18 24	4	118
39 2424 11	2	96	52 JZ18 41	1	30
39 2425 11	12	44	52 JZ18 44	1	118
39 2427 04	21	90	52 JZ18 50	7	118

Parts Index

DISCOVER 110 / 125 UG

Part Number	Figure No.	Page No.	Part Number	Figure No.	Page No.
52 JZ18 52	5	118	60 1114 20	5	112
52 JZ18 54	4	118	62 3050 84	22	124
52 JZ20 40	1	118	75 6802 36	20	124
52 JZ20 42	5	118	76 0109 36	14	124
52 JZ20 44	7	118	76 0109 37	15	124
52 JZ20 46	4	118	83 0201 73	7	122
56 JZ4A 3V	13	28	83 0203 25	3	122
56 PA05 5N	6	118	83 0203 34	1	122
56 PA4A 3V	13	28	83 0203 68	5	122
56 PA6J X3	6	118	83 0204 11	1	122
56JZ6A33	14	120	83 0204 73	5	122
59 0400 06	22	92	AL 2414 81	12	84
59 0400 14	19	50	AP 1012 55	13	94
59 0400 25	14	34	BF 5612 19	7	22
59 0400 38	19	28	CB 1010 09	4	8
59 0400 50	7	6	CB 1010 22	3	8
59 1000 02	6	48	CF 1110 19	1	50
59 1100 08	8	14	CL 2010 23	5	104
59 1200 03	9	14	CS 1011 28	12	10
59 1500 03	22	70	DD 1010 62	11	10
59 1500 03	1	72	DD 1010 97	16	34
59 1500 03	25	80	DD 1110 11	12	50
59 1500 14	10	14	DD 1110 12	10	50
59 2000 36	3	24	DD 1110 18	1	50
59 2000 36	4	26	DD 1110 48	11	50
59 2100 23	16	26	DD 1211 81	12	28
59 2100 24	17	16	DD 1412 27	6	94
59 2100 24	19	18	DD 1610 71	3	44
59 0400 38	4	2	DD 1610 78	9	82
59 0400 38	12	26	DD 1613 81	7	62
59 0400 38	4	30	DD 1810 32	8	92

Parts Index

DISCOVER 110 / 125 UG

Part Number	Figure No.	Page No.	Part Number	Figure No.	Page No.
DD 1911 42	16	88	DH 1110 13	16	50
DD 2011 70	29	90	DH 1110 15	14	50
DE 1510 06	7	72	DH 1510 29	2	82
DE 1510 08	4	72	DH 1510 39	2	76
DE 1510 12	5	72	DH 1610 66	4	66
DE 1510 43	7	76	DH 1611 00	4	62
DE 1510 45	8	76	DH 1611 21	11	66
DE 1510 46	4	76	DH 1611 45	12	66
DE 1510 47	5	76	DH 1611 46	5	66
DE 1510 48	3	76	DH 1611 94	5	60
DF 1611 02	2	66	DH 1612 33	6	52
DF 1810 91	4	88	DH 1612 39	10	66
DF 1810 92	5	88	DH 1612 83	1	102
DG 1210 02	5	2	DH 1614 29	17	42
DG 1210 02	19	40	DH 1710 19	25	80
DG 1210 03	7	4	DH 1810 14	11	56
DG 1210 40	8	4	DH 1810 22	20	90
DG 1210 40	16	42	DH 2010 79	3	72
DG 1510 89	1	76	DJ 1410 08	5	96
DG 1611 21	7	96	DJ 1510 33	18	80
DG 1910 45	14	82	DJ 1510 36	11	58
DH 1010 48	7	10	DJ 1510 37	12	58
DH 1011 63	8	48	DJ 1510 42	1	82
DH 1013 80	5	24	DJ 1510 47	13	58
DH 1013 80	10	26	DJ 1510 92	5	78
DH 1013 80	5	50	DJ 1511 19	5	78
DH 1013 92	15	10	DJ 1610 06	17	40
DH 1015 09	10	22	DJ 1610 69	3	64
DH 1016 39	9	24	DJ 1610 72	2	110
DH 1017 84	5	26	DJ 1610 79	7	114
DH 1023 29	11	6	DJ 1610 80	8	114

Parts Index

DISCOVER 110 / 125 UG

Part Number	Figure No.	Page No.	Part Number	Figure No.	Page No.
DJ 1611 22	3	62	DK 2010 49	8	56
DJ 1612 28	6A	30	DK 2210 24	2	116
DJ 1612 78	13	44	DL 1910 14	17	88
DJ 1811 15	10	56	DL 1910 20	13	110
DJ 1910 23	1	74	DP 1612 60	6	56
DJ 1910 25	4	74	DP 1710 06	5	56
DJ 1910 26	5	74	DS 1011 17	6	34
DJ 1910 27	6	74	DS 1011 54	6	14
DJ 1910 28	7	74	DS 1012 15	9	28
DJ 1910 29	8	74	DS 1012 34	19	40
DJ 1910 30	9	74	DS 1012 76	6	10
DJ 1910 31	10	74	DS 1013 55	20	16
DJ 1910 34	13	74	DS 1013 55	22	18
DJ 1910 35	14	74	DS 1099 05	14	10
DJ 1910 38	15	74	DS 1211 16	10	40
DJ 1910 58	11	74	DS 1211 26	14	40
DJ 1910 59	3	74	DS 1410 12	20	40
DJ 1910 83	12	88	DS 1410 12	3	56
DJ 2011 08	24	90	DS 1410 12	4	96
DJ 2011 09	12	74	DS 1410 13	4	94
DJ 2011 73	8	64	DS 1510 25	1	82
DJ 2012 19	28	112	DS 1510 29	6	68
DJ 2012 46	13	88	DS 1510 31	5	68
DJ 2210 19	1	116	DS 1510 48	2	68
DK 1013 86	8	10	DS 1510 49	3	68
DK 1015 96	9	48	DS 1510 52	5	68
DK 1016 05	7	48	DS 1510 53	6	68
DK 1017 51	1	8	DS 1510 56	6	70
DK 1210 65	14	38	DS 1510 58	11	72
DK 1211 06	11	38	DS 1510 61	20	80
DK 1510 94	4A	78	DS 1510 68	13	78

Parts Index

DISCOVER 110 / 125 UG

Part Number	Figure No.	Page No.	Part Number	Figure No.	Page No.
DS 1510 73	16	80	DS 1910 52	30	90
DS 1510 89	10	70	DS 1910 54	3	100
DS 1510 90	8	78	DS 2010 25	25	112
DS 1510 91	12	70	DS 2010 81	18	112
DS 1510 92	13	70	DS 2110 05	4	52
DS 1510 94	15	70	DT 1812 27	19	110
DS 1610 35	23	40	DT 1812 60	18	110
DS 1610 69	15	40	DT 1812 60	26	112
DS 1610 77	1	66	DU 1011 90	2	8
DS 1611 12	8	66	DU 1012 13	19	16
DS 1611 25	2	64	DU 1012 13	21	18
DS 1612 87	10	64	DU 1510 58	14	84
DS 1612 87	10	104	DU 1611 96	2	56
DS 1710 07	8	58	DU 1612 81	2	64
DS 1710 13	19	58	DX 1210 11	9	40
DS 1710 14	15	58	DX 1510 10	16	80
DS 1810 06	2	88	DX 1510 12	20	80
DS 1810 07	3	88	DX 1510 15	22	80
DS 1810 08	4	88	DX 1510 18	23	80
DS 1810 09	5	88	DX 1610 32	22	112
DS 1810 10	6	88	DX 1610 44	23	112
DS 1810 12	12	92	DX 1610 45	19	112
DS 1810 15	19	92	DX 1610 67	6	62
DS 1810 16	20	92	DX 1910 01	19	88
DS 1810 18	12	56	DX 1910 09	15	88
DS 1810 19	26	90	FD 1010 78	3	46
DS 1810 44	10	88	FD 1810 19	3	88
DS 1810 60	44	106	FD 1810 20	6	88
DS 1810 69	25	104	FD 1810 30	26	90
DS 1910 07	14	112	FD 1810 31	2	88
DS 1910 11	16	82	GF 2010 53	27	112

Parts Index

DISCOVER 110 / 125 UG

Part Number	Figure No.	Page No.	Part Number	Figure No.	Page No.
GH 2010 12	2	108	JA 5510 08	17	18
GL 1312 18	12	70	JA 5510 09	16	16
GL 1710 36	11	42	JA 5510 09	18	18
JA 1134 03	6	54	JA 5514 06	13	32
JA 1312 05	5	78	JA 5514 20	10	32
JA 1510 13	3	92	JA 5610 02	3	20
JA 1610 03	8	82	JA 5812 14	12	38
JA 1610 03	7	84	JA 5812 21	8	38
JA 4018 01	17	42	JA 5812 32	16	38
JA 5110 08	6	6	JA 6210 02	5	34
JA 5112 11	1	8	JA 6210 06	10	34
JA 5112 16	5	10	JA 6212 01	11	34
JA 5310 07	12	32	JB 1220 16	6	58
JA 5310 12	3	14	JB 1310 08	4	70
JA 5310 15	4	14	JB 1310 17	20	70
JA 5410 05	7	26	JB 1310 17	12	72
JA 5410 05	2	30	JB 1310 18	21	70
JA 5410 10	4	24	JB 1310 18	2	72
JA 5410 12	8	24	JB 1310 22	5	70
JA 5410 14	10	24	JB 1312 23	6	78
JA 5410 16	4	46	JB 1312 24	10	78
JA 5410 21	15	26	JB 1316 01	7	70
JA 5412 11	6	28	JB 1814 03	12	64
JA 5412 12	17	28	JB 1814 16	4	64
JA 5412 25	7	28	JB 1814 21	4	64
JA 5412 33	8	30	JB 3510 30	3	50
JA 5510 02	3	16	JB 4014 00	22	90
JA 5510 02	3	18	JB 4022 02	7	112
JA 5510 04	7	16	JB 4024 01	16	70
JA 5510 04	8	18	JB 5010 17	1	24
JA 5510 08	14	16	JB 5110 11	6	6

Parts Index

DISCOVER 110 / 125 UG

Part Number	Figure No.	Page No.	Part Number	Figure No.	Page No.
JB 5110 15	7	6	JD 1312 17	19	80
JB 5310 21	7	14	JD 1318 11	10	72
JB 5310 23	1	14	JD 1610 02	16	82
JB 5412 01	16	28	JD 1610 06	17	82
JB 5412 18	5	30	JD 1812 55	9	86
JB 5412 24	3	30	JD 1910 21	3	52
JB 5710 05	1	46	JD 2316 00	10	114
JB 5710 06	2	46	JD 2316 01	11	114
JB 5810 36	1	40	JD 3512 06	15	50
JB 5810 37	18	40	JD 4018 03	20	112
JB 5810 41	5	40	JD 4022 17	25	90
JB 5812 29	8	36	JD 5110 10	1	2
JB 5812 30	9	36	JD 5310 04	12	14
JB 5812 56	10	36	JD 5514 00	17	32
JB 5812 56	10	38	JD 5610 04	6	20
JB 5812 57	16	36	JD 5610 06	5	20
JB 5812 60	12	36	JD 5610 11	4	20
JB 5812 72	13	6	JD 5612 04	5	22
JB 5812 72	21	36	JD 5614 16	13	22
JB 5812 89	1	36	JE 3514 03	3	12
JB 5824 00	9	4	JE 5110 49	2	10
JB 5910 59	7	44	JE 5110 67	1	4
JB 5910 68	6	44	JE 5112 30	14	10
JB 5910 80	5	44	JE 5210 16	9	10
JC 1510 04	7	78	JE 5310 01	2	14
JC 1510 06	8	78	JE 5410 28	12	24
JC 1510 12	7	78	JE 5410 38	11	14
JC 1910 06	19	82	JE 5412 11	20	28
JD 1110 52	1	96	JE 5412 12	9	30
JD 1138 14	13	4	JE 5412 13	4	28
JD 1138 15	12	4	JE 5412 45	16	28

Parts Index

DISCOVER 110 / 125 UG

Part Number	Figure No.	Page No.	Part Number	Figure No.	Page No.
JE 5412 88	2	28	JH 1610 32	3	86
JE 5412 91	18	28	JH 1610 35	10	84
JE 5512 00	7	18	JH 1610 38	8	84
JE 5512 01	5	18	JH 1612 03	5	52
JE 5512 05	10	18	JH 1612 04	8	52
JE 5512 06	13	18	JH 1710 17	2	94
JE 5512 09	5	18	JH 1710 47	1	112
JE 5512 10	13	18	JH 1710 48	5	42
JE 5512 15	16	18	JH 1710 49	12	94
JE 5512 16	14	18	JH 1814 26	4	56
JE 5514 09	11	32	JH 3516 02	1	48
JE 5610 05	3	20	JH 5112 10	2	8
JE 5610 06	1	20	JH 5210 07	1	12
JE 5612 00	3	22	JH 5310 07	1	14
JE 5910 02	9	44	JH 5410 15	15	24
JE 6210 03	9	34	JH 5410 21	9	26
JE 6210 04	8	34	JH 5412 07	6	50
JF 5110 52	11	6	JH 5412 10	3	28
JF 5812 08	18	38	JH 5512 11	14	18
JG 1710 29	18	42	JH 5612 00	4	22
JG 1812 43	21	104	JH 5612 12	8A	22
JG 4018 08	2	112	JH 5612 13	12	22
JG 5710 24	13	26	JH 5614 02	8	22
JG 5810 62	17	38	JH 5614 04	9	22
JG 5810 62	21	40	JH 5614 09	11	22
JH 1318 50	11	74	JH 5812 02	19	36
JH 1318 50	1	86	JH 5822 00	6	4
JH 1318 83	9	78	JH 5826 01	4	40
JH 1318 85	9	72	JH 5826 02	2	40
JH 1610 29	4	86	JH 6214 07	4	48
JH 1610 31	2	86	JK 1210 07	13	92

Parts Index

DISCOVER 110 / 125 UG

Part Number	Figure No.	Page No.	Part Number	Figure No.	Page No.
JK 1210 09	11	92	JV 5410 07	19	28
JK 3516 00	9	112	JV 5410 07	4	30
JK 5612 00	1	22	JV 5412 08	2	28
JL 1812 19	9	96	JW 1318 01	1	76
JL 1812 19	9	110	JW 1318 05	2	74
JL 1812 46	10	96	JW 1318 06	9	72
JL 1812 46	10	110	JW 1318 07	6	76
JL 5412 27	8	28	JW 1318 09	9	76
JL 5614 09	15	22	JW 1812 29	7	104
JL 5614 10	18	22	JW 1812 41	13	72
JL 5810 66	5	4	JW 4010 11	4	110
JN 1132 00	7	66	JW 4020 01	17	50
JN 1312 11	24	80	JW 5612 06	2	22
JN 1410 02	27	80	JW 5612 08	3	22
JN 1810 10	11	104	JW 5910 28	8	44
JN 1810 11	12	104	JY 1710 69	2	42
JN 1810 14	23	104	JY 1710 70	9	42
JN 1810 19	34	106	JY 1710 77	1	42
JN 1810 20	36	106	JY 1710 90	4	42
JN 1810 31	43	106	JY 1718 25	13	42
JN 1812 06	13	72	JZ 1113 74	1	56
JN 1812 11	14	72	JZ 1113 92	1	56
JN 1814 06	24	104	JZ 1130 42	2	44
JN 4026 00	1	94	JZ 1130 45	2	44
JV 4022 04	11	112	JZ 1130 62	2	62
JV 4022 05	12	112	JZ 1130 68	14	62
JV 5110 11	2	2	JZ 1130 87	1	62
JV 5110 12	1	2	JZ 1130 93	13	44
JV 5110 13	3	2	JZ 1131 14	13	62
JV 5410 07	4	2	JZ 1134 00	11	54
JV 5410 07	12	26	JZ 1134 02	4	54

Parts Index

DISCOVER 110 / 125 UG

Part Number	Figure No.	Page No.	Part Number	Figure No.	Page No.
JZ 1134 03	12	54	JZ 1610 42	11	84
JZ 1134 05	8	54	JZ 1610 43	6	84
JZ 1138 00	13	54	JZ 1610 45	10	82
JZ 1210 59	2	92	JZ 1610 49	1	84
JZ 1210 60	15	92	JZ 1612 21	2	100
JZ 1210 63	2	92	JZ 1612 24	1	100
JZ 1210 64	15	92	JZ 1612 32	15	84
JZ 1210 68	1	92	JZ 1612 33	16	84
JZ 1210 69	1	92	JZ 1612 36	2	100
JZ 1210 90	1	92	JZ 1612 37	8	86
JZ 1220 71	7	58	JZ 1710 20	10	94
JZ 1221 09	1	82	JZ 1710 21	11	94
JZ 1310 05	1	68	JZ 1718 09	7	94
JZ 1310 28	1	68	JZ 1718 22	8	94
JZ 1312 24	4	68	JZ 1810 01	42	106
JZ 1312 86	4	68	JZ 1810 02	41	106
JZ 1312 91	19A	80	JZ 1810 03	45	106
JZ 1316 15	7	70	JZ 1812 06	35	106
JZ 1318 03	9	78	JZ 1813 22	7	56
JZ 1319 15	10	70	JZ 1814 02	6	64
JZ 1319 16	13	70	JZ 1814 06	1	64
JZ 1319 26	5	78	JZ 1814 60	3	112
JZ 1319 27	6	78	JZ 1814 83	16	64
JZ 1510 23	1	88	JZ 1817 03	13	84
JZ 1510 24	5	108	JZ 1910 10	2	52
JZ 1510 36	16	92	JZ 2312 01	1	114
JZ 1510 64	14	88	JZ 2314 09	6	114
JZ 1510 65	18	88	JZ 2326 01	8	88
JZ 1610 04	10	82	JZ 2328 05	1	110
JZ 1610 06	17	82	JZ 2328 14	17	110
JZ 1610 30	11	88	JZ 3512 15	8	50

Parts Index

DISCOVER 110 / 125 UG

Part Number	Figure No.	Page No.	Part Number	Figure No.	Page No.
JZ 4010 45	7	110	JZ 5812 10	19	38
JZ 4010 46	14	110	JZ 5812 46	1	38
JZ 4010 71	6	108	JZ 5824 00	10	4
JZ 4010 72	7	108	JZ 5824 01	9	4
JZ 4010 73	1	108	JZ 5824 04	4	4
JZ 4010 74	3	108	KA CA06 12	4	84
JZ 4016 00	15	112	KA CF08 30	5	92
JZ 4022 18	6	112	KA CF08 35	12	62
JZ 4022 63	4	112	KA DA05 10	27	106
JZ 5010 24	1	24	KA DA06 12	17	104
JZ 5110 21	3	2	KA DA06 14	32	106
JZ 5412 55	5	30	KA DD06 10	10	64
JZ 5510 04	18	16	KA DD06 10	10	112
JZ 5510 04	20	18	KA DD06 10	21	112
JZ 5510 08	9	18	KA DD06 12	15	82
JZ 5510 10	1	18	KA DD06 12	18	84
JZ 5512 02	2	18	KA DD06 14	18	50
JZ 5512 05	13	16	KA DD06 14	2	84
JZ 5512 05	15	18	KA DD06 20	11	96
JZ 5512 10	11	18	KA DD06 20	11	110
JZ 5512 11	12	18	KA DD06 22	16	22
JZ 5512 13	6	18	KA DD06 22	7	52
JZ 5610 02	7	20	KA Dd06 25	10	108
JZ 5710 00	1	46	KA DD08 14	2	114
JZ 5710 01	2	46	KA DD08 16	5	54
JZ 5810 04	18	40	KA DD08 20	7	60
JZ 5810 10	7	40	KA DD08 25	9	114
JZ 5810 11	8	40	KA DD08 50	4	114
JZ 5810 12	13	40	KA DD08 65	10	54
JZ 5810 29	6	40	KA DD08 70	16	114
JZ 5810 59	1	40	KA DD08 80	2	54

Parts Index

DISCOVER 110 / 125 UG

Part Number	Figure No.	Page No.	Part Number	Figure No.	Page No.
KA DD10 60	13	114	KC GA10 10	4	108
KA DD10 B5	6	54	KC HA05 07	15	64
KA DF06 20	11	96	KD AA05 10	14	64
KA DF06 20	11	110	KD AB06 11	6	86
KA DF06 22	7	52	KD BA05 12	31	106
KA DF06 30	11	4	KD BA06 13	12	96
KA DS05 10	24	112	KD BA06 13	12	110
KA ED06 20	10	6	KD BA06 13	23	110
KA ED06 20	13	10	KD BA08 18	9	62
KA ED06 25	12	6	KD CB08 16	6	60
KA ED06 25	2	48	KD DB10 18	22	82
KA ED06 35	5	64	KE CB50 06	7	86
KA ED06 85	14	24	KH AA20 15	14	22
KA ED08 20	3	96	KH AA20 15	12	82
KA EF06 30	14	70	KH AA25 20	10	62
KA EF06 50	11	24	KH AA32 35	9	66
KA EG06 14	3	4	KJ AC18 24	3	6
KB AA05 20	29	106	KP BB62 01	1	78
KB BA05 20	39	106	KP BB62 02	2	78
KB BC05 12	13	64	KP BB63 01	1	70
KB BC06 08	7	50	KP BB63 01	6	72
KB RA42 16	13	104	KP BB63 01	2	78
KB RA42 16	29	106	KP BB63 02	1	78
KB RA42 19	3	40	KP BC60 04	14	80
KB UA05 14	5	110	KP BF62 01	6	24
KB UA06 14	8	110	KP BF62 03	6	24
KB UC05 14	13	64	LA C000 02	10	72
KC AA05 04	8	104	LA C000 52	4	50
KC AA10 08	23	82	LA D000 41	1	54
KC GA05 05	3	94	LA D000 52	10	54
KC GA06 06	14	4	LA D001 26	3	60

Parts Index

DISCOVER 110 / 125 UG

Part Number	Figure No.	Page No.	Part Number	Figure No.	Page No.
LA D001 31	5	114	PA 1210 65	9	92
LA D001 40	9	84	PA 1220 16	18	58
LA D002 17	20	110	PA 1220 61	1	58
LA E000 05	15	28	PA 1220 64	7	58
LA E000 14	27	106	PA 1310 46	1	68
LA E000 21	9	88	PA 1312 08	13	78
LA J000 02	2	6	PA 1312 15	4	68
LB U000 73	10	86	PA 1312 39	24	80
LB U000 79	8	110	PA 1312 63	4	78
LC B000 05	17	80	PA 1312 76	19	80
LC L000 02	11	64	PA 1316 10	18	80
LD A000 25	8	14	PA 1318 65	9	78
LD B000 19	4	82	PA 1318 68	14	56
LD B000 44	6	22	PA 1318 68	19	84
LD B000 83	20	104	PA 1318 69	13	56
LE A000 03	3	84	PA 1318 69	17	84
LG C000 05	5	86	PA 1510 07	1	88
LH B000 01	24	82	PA 1610 00	10	82
LJ A000 04	14	26	PA 1610 14	7	82
NA	20	124	PA 1612 02	2	100
NA	21	124	PA 1612 21	5	84
PA 1130 61	11	62	PA 1612 22	2	100
PA 1130 75	1	60	PA 1716 05	10	42
PA 1130 76	4	60	PA 1716 07	8	42
PA 1130 79	13	62	PA 1716 09	15	42
PA 1132 13	6	66	PA 1716 10	3	42
PA 1134 21	8	54	PA 1716 11	7	42
PA 1134 22	9	54	PA 1718 08	12	42
PA 1138 14	21	58	PA 1718 10	14	42
PA 1210 10	2	92	PA 1812 84	22	104
PA 1210 11	15	92	PA 1812 87	33	106

Parts Index

DISCOVER 110 / 125 UG

Part Number	Figure No.	Page No.	Part Number	Figure No.	Page No.
PA 1813 47	1	104	PA 5510 02	1	16
PA 1813 48	15	104	PA 5512 05	12	16
PA 1813 49	16	104	PA 5512 06	11	16
PA 1813 50	18	104	PA 5512 07	2	16
PA 1813 51	3	104	PA 5610 05	1	20
PA 1813 52	6	104	PA 5612 09	4	22
PA 1813 53	14	108	PA 5812 20	17	36
PA 1813 54	4	104	PA 5812 21	11	36
PA 1813 55	26	106	PA 5812 24	14	6
PA 1813 56	13	108	PA 5812 24	20	36
PA 1814 40	7	64	PA 6210 05	2	34
PA 1822 01	2	104	PA 6210 07	1	34
PA 1910 26	1	52	PA 6210 08	2	34
PA 2312 16	3	114	PA 6212 03	11	34
PA 2312 17	14	114	PA 7201 3F	6	118
PA 2312 18	15	114	PD 1716 16	6	42
PA 2328 02	11	108	PD 1812 39	19	104
PA 2328 03	16	110	PF 1130 28	2	60
PA 2334 51	3	98	PF 1312 20	15	80
PA 2334 82	10	120	PF 1716 01	15	94
PA 2334 83	11	120	PF 3510 25	2	50
PA 2335 09	15	120	PF 3510 42	2	50
PA 3512 01	9	50	PF 3512 38	8	50
PA 3512 02	13	50	PF 3516 02	1	48
PA 4024 44	1	98	PF 4014 17	23	90
PA 4024 44	28	106	PF 5111 11	9	6
PA 5110 39	2	2	PF 5111 14	1	6
PA 5110 98	9	6	PF 5111 35	1	6
PA 5212 14	4	12	PF 5112 03	6	10
PA 5212 29	4	12	PF 5112 09	1	10
PA 5412 13	6	30	PF 5112 22	1	10

Parts Index

DISCOVER 110 / 125 UG

Part Number	Figure No.	Page No.	Part Number	Figure No.	Page No.
PF 5410 18	7	24	YP A260 07	38	106
PF 5410 29	1	26	YP A260 08	2	98
PF 5412 40	3	30	YP A260 09	1	44
PF 5412 54	13	28	YP A260 11	2	98
PF 5412 55	18	28			
PF 5510 03	8	16			
PF 5512 00	6	16			
PF 5512 01	5	16			
PF 5512 03	9	16			
PF 5512 04	10	16			
PF 5512 06	15	16			
PF 5514 07	11	28			
PF 5514 30	1	32			
PF 5514 32	16	32			
PF 5514 33	4	32			
PF 5514 36	2	32			
PF 5514 37	5	32			
PF 5514 38	6	32			
PF 5610 02	5	20			
PF 5612 00	1	22			
PF 5612 03	5	22			
PF 5812 37	14	36			
PF 5814 23	14	6			
PF 5824 01	2	4			
PF 5824 09	2	4			
PF 6210 03	1	34			
PF 6214 00	4	48			
PF 6214 03	3	48			
PF 6214 13	3	48			
YJ Z400 01	1	44			
YP A260 06	37	106			